

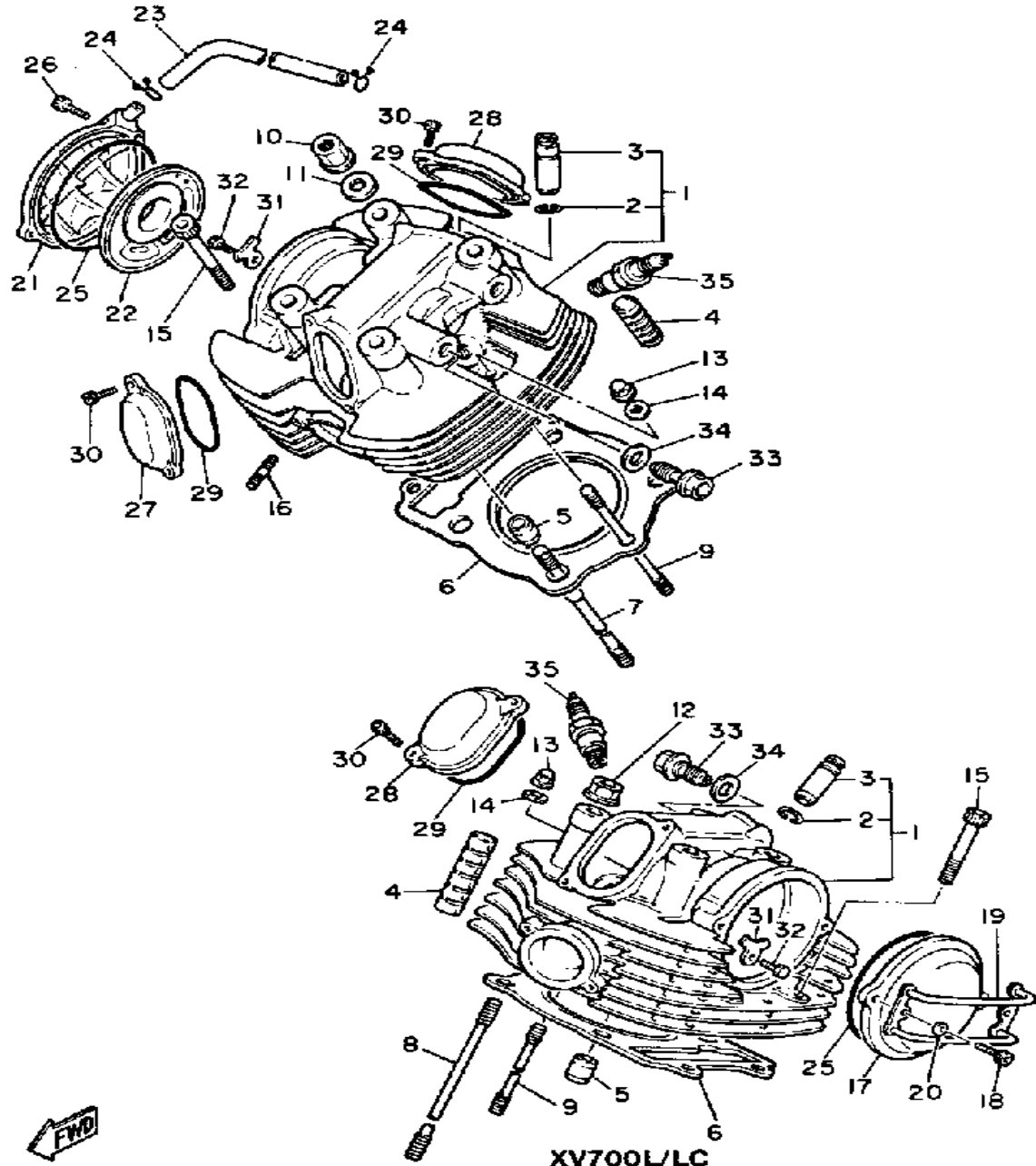
YAMAHA

GENUINE

PARTS CATALOGUE

MOTORCYCLE

CYLINDER HEAD



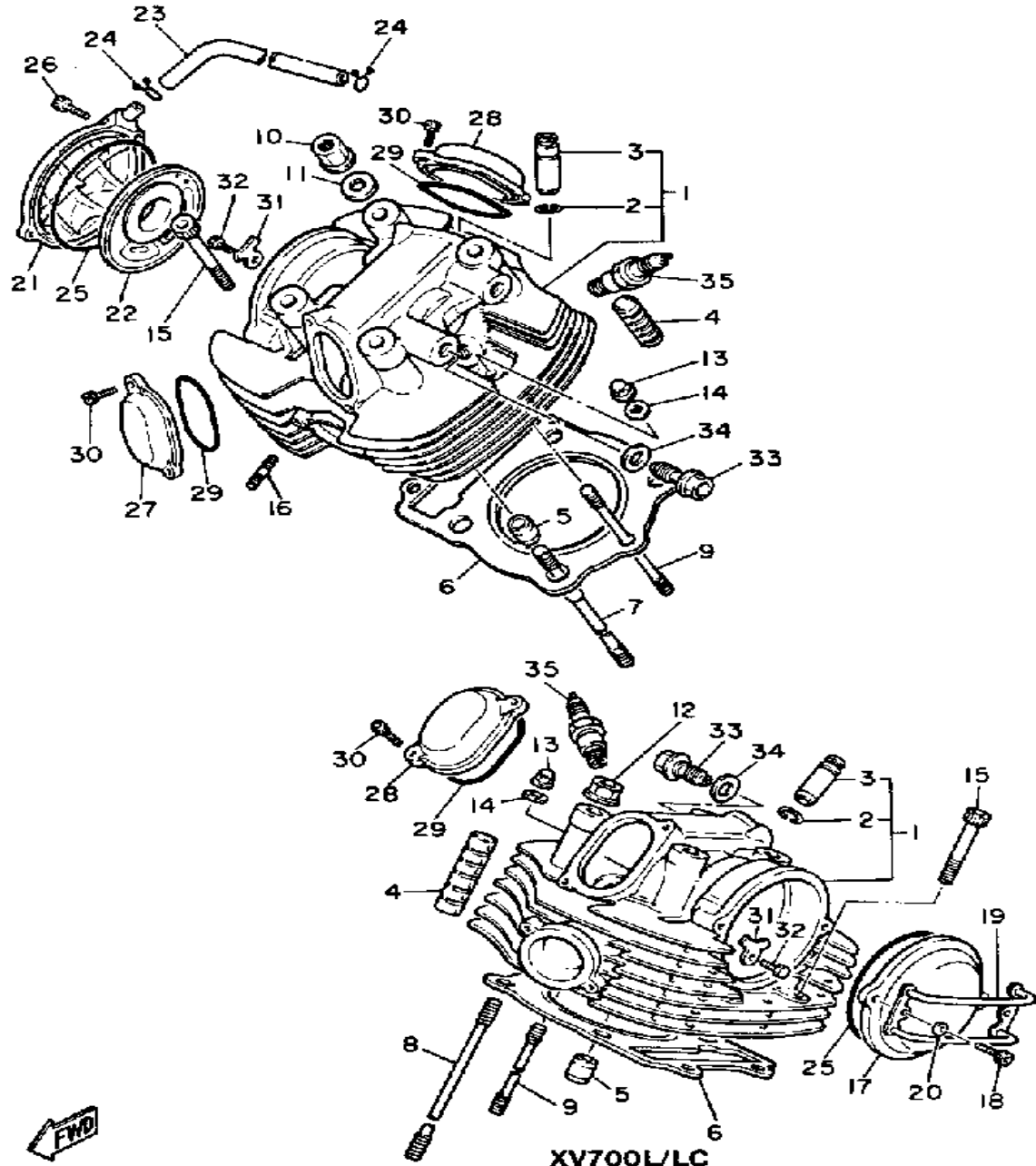
42W110-4010

Initial Engine Number / Frame Number	XV700L: 42W-000101 / JYA42W001 JEAD00101 XV700LC: 42X-000101 / JYA42X001 JEAD00101
Bore / Stroke / Number Cylinders / Displacement	80.2mm / 69.2mm / 2 / 695cc
Compression Ratio/Compression Pressure Min~Max	9.0:1 / 9.0 ~ 12.0 kg/cm ²

Ref. No.	Part Number	Description	Qty	Remarks
1	42X-11110-00-00	CYLINDER HEAD ASSEMBLY	2	
2	93440-14086-00	. CIRCLIP, OUTER	2	
3	4X7-11133-10-00	. GDE, INTK VLV 1 O/S	2	1ST O/S
4	4X7-11127-00-00	ABSORBER 3	8	
5	91800-06030-00	PIN, DOWEL	4	
6	42X-11181-00-00	GASKET, CYLINDER HEAD 1	2	
7	4X7-11363-01-00	BOLT, CYLINDER HOLDING 3	4	
8	90116-12469-00	BOLT, STUD	4	
9	90116-10344-00	BOLT, STUD	2	
10	90179-12326-00	NUT, SPEC'L SHAPE	4	
12	90179-12325-00	NUT	4	
13	90176-10229-00	UNAVAILABLE IN PRICE BOOK	2	
14	90201-102G9-00	WASHER, PLATE	2	
15	91311-08050-00	BOLT, SOCKET HEAD	4	
16	95611-08640-00	BOLT, STUD	4	
17	42X-11185-01-00	COVER, CYLINDER HEAD SIDE 1	1	
18	91311-06016-00	BOLT, SOCKET HEAD	2	
19	42X-1111H-01-00	COVER, CYLINDER HEAD SIDE 4	1	
20	90202-05187-00	WASHER, PLATE	2	
21	42X-1111H-01-00	COVER, CYLINDER HEAD SIDE 4	1	
22	42X-11165-00-00	PLATE, BREATHER	1	
23	42X-11166-01-00	PIPE, BREATHER 1	1	
24	90467-14015-00	CLIP	2	
25	93210-92448-00	O-RING	2	
26	91311-06025-00	BOLT, SOCKET HEAD	2	
27	42H-11186-01-00	COVER, CYLINDER HEAD SIDE 2	2	

CONTINUED ON NEXT FRAME ►

CYLINDER HEAD



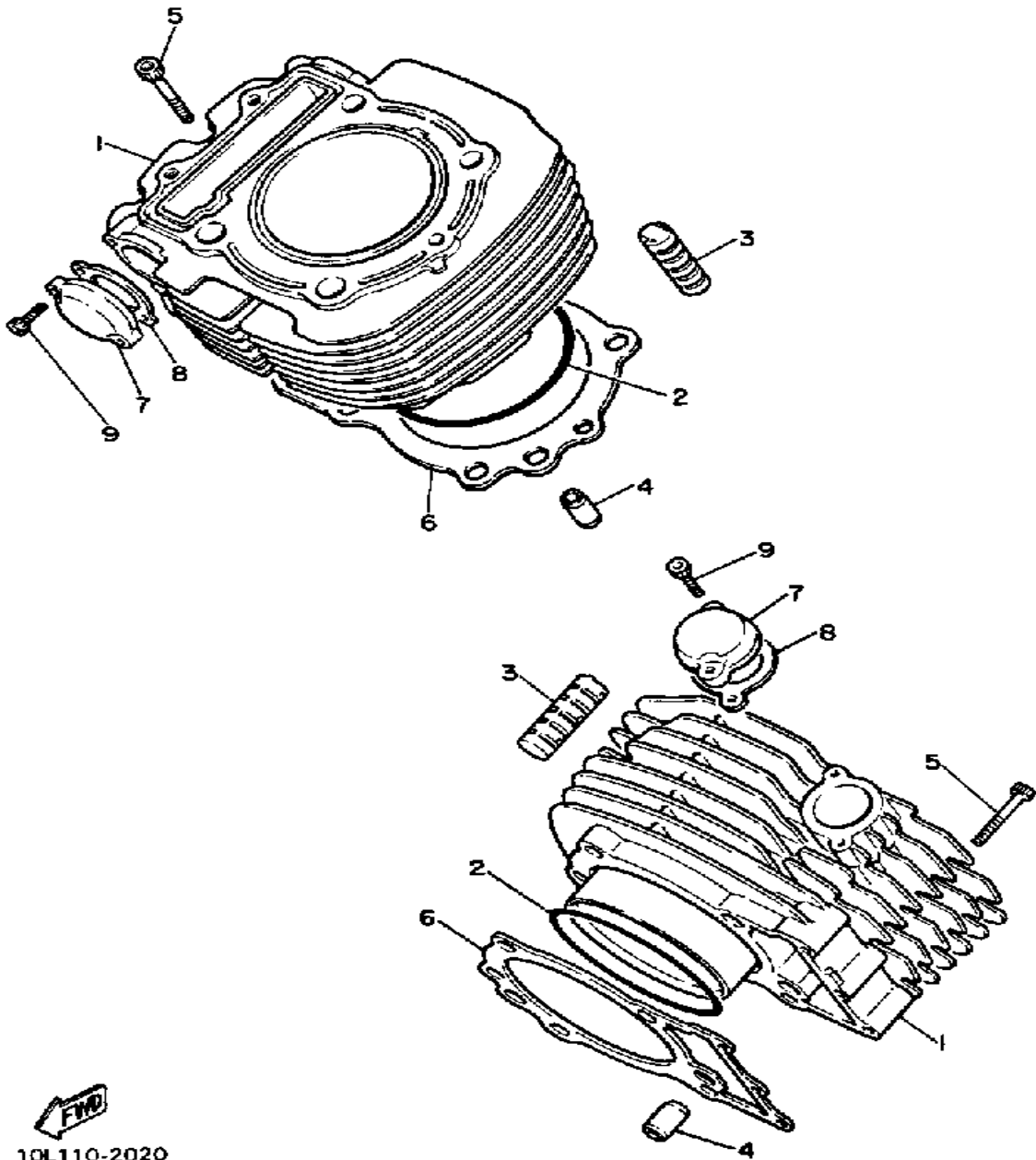
Ref. No.	Part Number	Description	Qty	Remarks
28	4X7-11187-00-00	COVER, CYLINDER.HEAD 3	2	
29	93210-62446-00	O-RING	4	
30	91311-06016-00	BOLT, SOCKET HEAD	4	
31	4X7-1111F-00-00	PLATE	2	
32	97313-08020-00	BOLT, HEXAGON	2	
33	90401-16065-00	BOLT, UNION	2	
34	90430-17168-00	GASKET	2	
35	NGK-BP7ES-00-00	PLUG, SPARK (NGK BP-7ES)	2	

XV700L/LC

Initial Engine Number / Frame Number	XV700L: 42W-000101 / JYA42W001 JEAD00101 XV700LC: 42X-000101 / JYA42X001 JEA000101
Bore / Stroke / Number Cylinders / Displacement	80.2mm / 69.2mm / 2 / 695cc
Compression Ratio/Compression Pressure Min~Max	9.0:1 / 9.0 ~ 12.0 kg/cm ²

FWO
42W110-4010

CYLINDER



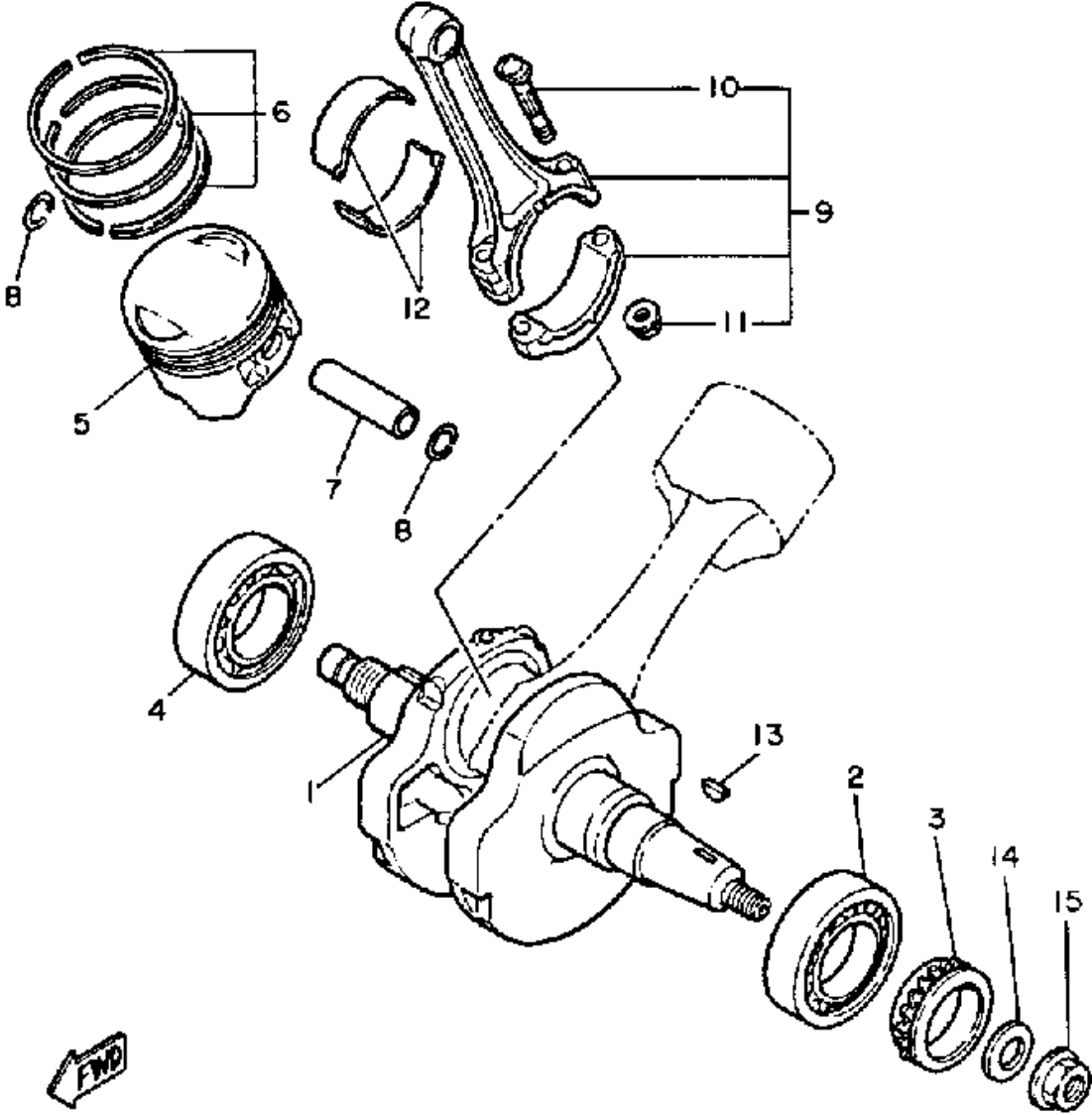
Ref. No.	Part Number	Description	Qty	Remarks
1	(42X-11310-00-00)	CYLINDER	2	
2	93210-86509-00	O-RING	2	
3	4X7-11161-00-00	ABSORBER 1	4	
4	90387-087A5-00	COLLAR	4	
5	91311-06040-00	BOLT	6	
6	3JL-11351-00-00	GASKET, CYLINDER	2	
7	4X7-12215-00-00	CAP, TENSIONER CASE	2	
8	4DW-12213-00-00	GASKET, TENSIONER CASE ..	2	
9	91311-06025-00	BOLT, SOCKET HEAD	4	

 10L110-2020

XV700L/LC XV700N/NC

Cylinder Head:	Nut M10: 4.0 m·kg	Bolt M8: 2.0 m·kg
	Nut #1: M12: 5.0 m·kg	Nut #2: M12: 6.4 m·kg
Spark Plug Type	NGK BP7ES or ND W22ERU	
Spark Plug Gap / Torque / Cap ♂	0.7 ~ 0.8mm / 2.0 m·kg / 5KΩ	

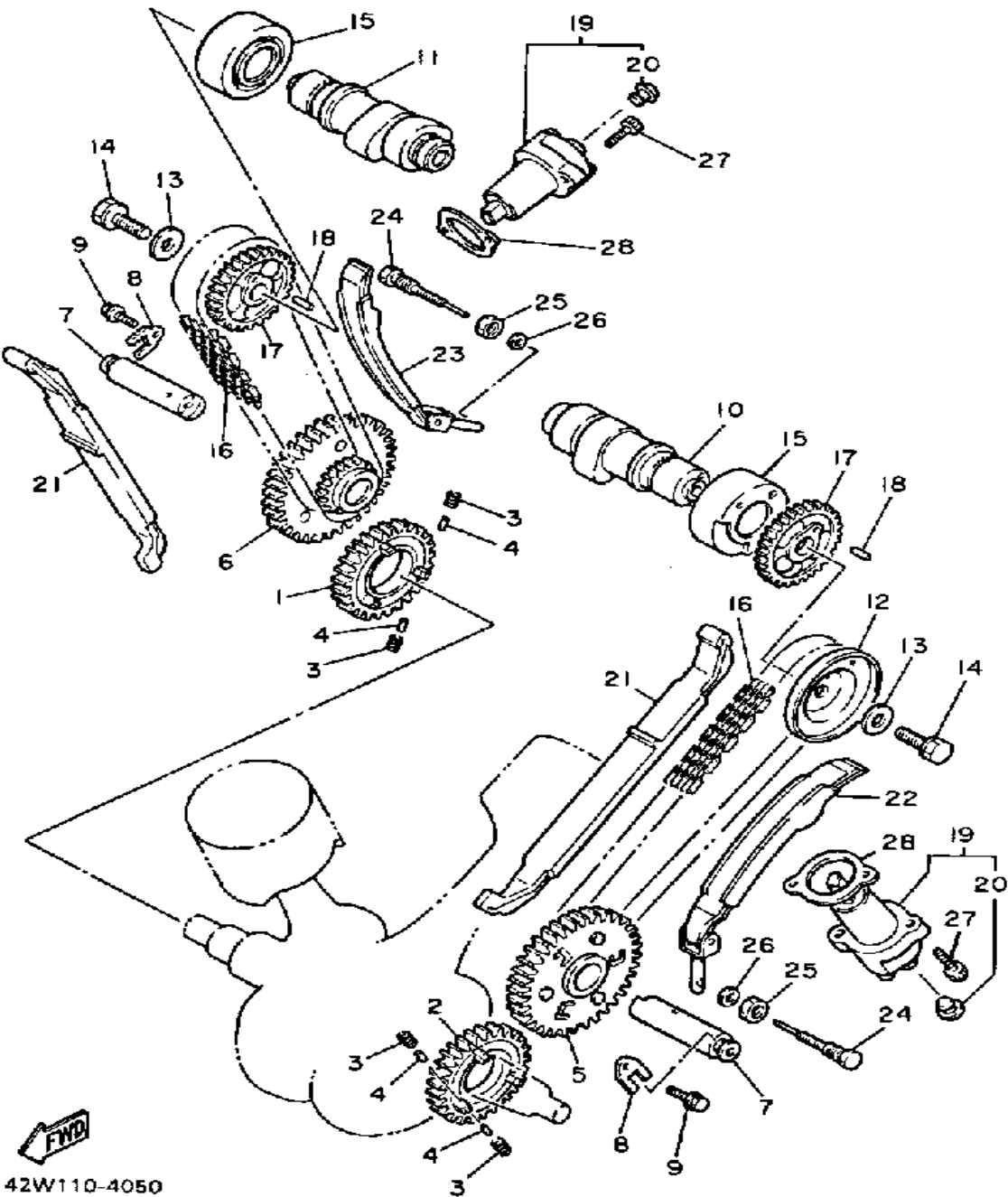
CRANKSHAFT-PISTON



42W110-4030

Ref. No.	Part Number	Description	Qty	Remarks
1	42X-11411-01-00	CRANKSHAFT	1	
2	93306-30808-00	BEARING (3EF)	1	
3	4X7-13354-00-00	SPROCKET, DRIVE	1	
4	93306-30808-00	BEARING (3EF)	1	
5	42X-11631-00-A0	PISTON STD (STD)	2	U.R.
	42X-11636-00-00	PISTON 2 O/S 0.50 (0.50MM O/S)	2	ALT. PART
	42X-11638-00-00	PISTON 4 O/S 1.00 (1.00MM O/S)	2	ALT. PART
6	(42X-11610-40-00)	PISTON RINGSET 4TH	2	ALT. PART
	42X-11610-00-00	PISTON RINGSET STD (STD) .	2	U.R.
	42X-11610-20-00	PISTON RINGSET 2ND (2ND O/S)	2	ALT. PART
7	4X7-11633-00-00	PIN, PISTON	2	
8	93450-22027-00	CIRCLIP	4	
9	4X7-11650-00-00	CONNECTING ROD ASSEMBLY	2	
10	4X7-11654-01-00	. BOLT, CON ROD	2	
11	90179-09379-00	. NUT, SPEC'L SHAPE	2	
12	4X7-11656-00-00	PLANE BRNG, CON ROD	4	U.R. BLUE
	4X7-11656-10-00	PLANE BRNG, CON ROD	4	U.R. BLACK
	4X7-11656-20-00	PLANE BRNG, CON ROD	4	U.R. BROWN
	4X7-11656-30-00	PLANE BRNG, CON ROD	4	U.R. GREEN
	4X7-11656-40-00	PLANE BRNG, CON ROD	4	U.R. YELLOW
13	90280-16053-00	KEY, WOODRUFF	1	
14	90201-165H4-00	WASHER, PLATE	1	
15	90179-16448-00	NUT, SPEC'L SHAPE	1	

CAMSHAFT-CHAIN

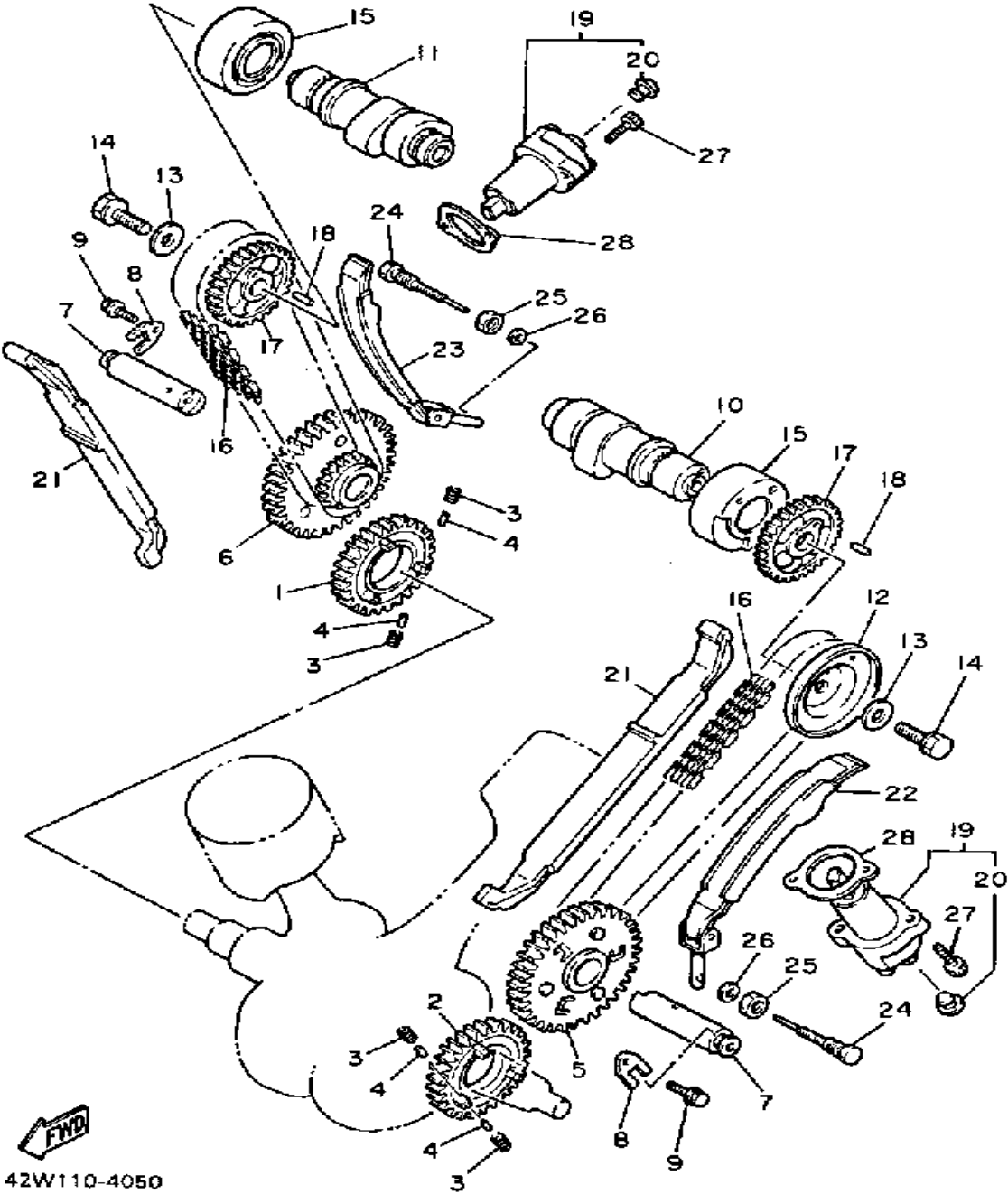


42W110-4050

Ref. No.	Part Number	Description	Qty	Remarks
1	4X7-11536-00-00	GEAR, DRIVE (35T)	1	
2	4X7-11534-00-00	GEAR, BREAKER DRIVE	1	
3	90501-21133-00	SPRING, COMPRESSION	12	
4	93605-10090-00	PIN, DOWEL	12	
5	4X7-11540-01-00	CM CHN SPRKT ASSEMBLY 1 (20/50T)	1	
6	4X7-11550-00-00	CAM CHAIN SPRKT 2 (20/50T)	1	
7	4X7-12247-01-00	SHAFT, TENSIONER	2	
8	90209-06205-00	WASHER, SPEC'L SHAP	2	
9	90105-06154-00	BOLT, WASHER BASED	2	
10	42X-12171-00-00	CAMSHAFT 1	1	
11	42X-12181-00-00	CAMSHAFT 2	1	
12	42X-11145-00-00	PLATE, BREATHER 2	1	
13	90201-10774-00	WASHER, PLATE	2	
14	90101-10303-00	BOLT	2	
15	90380-25125-00	BUSH, SOLID	2	
16	94590-45098-00	CHAIN, CAM	2	
17	4X7-12176-00-00	SPROCKET, CAM CHAIN	2	
18	93604-10011-00	PIN, DOWEL	2	
19	4X7-12210-01-00	TENSNR ASSEMBLY, CAM CHN	2	
20	90338-06121-00	. PLUG, SPEC'L SHAPE	1	
21	4X7-12231-00-00	GUIDE, STOPPER 1	2	
22	4X7-12241-00-00	GUIDE, STOPPER 2	1	
23	4X7-12221-00-00	GUIDE, STOPPER 3	1	
24	90109-08592-00	BOLT	2	
25	95303-08700-00	NUT	2	
26	90201-061A5-00	WASHER, PLATE	2	
27	91311-06025-00	BOLT, SOCKET HEAD	4	

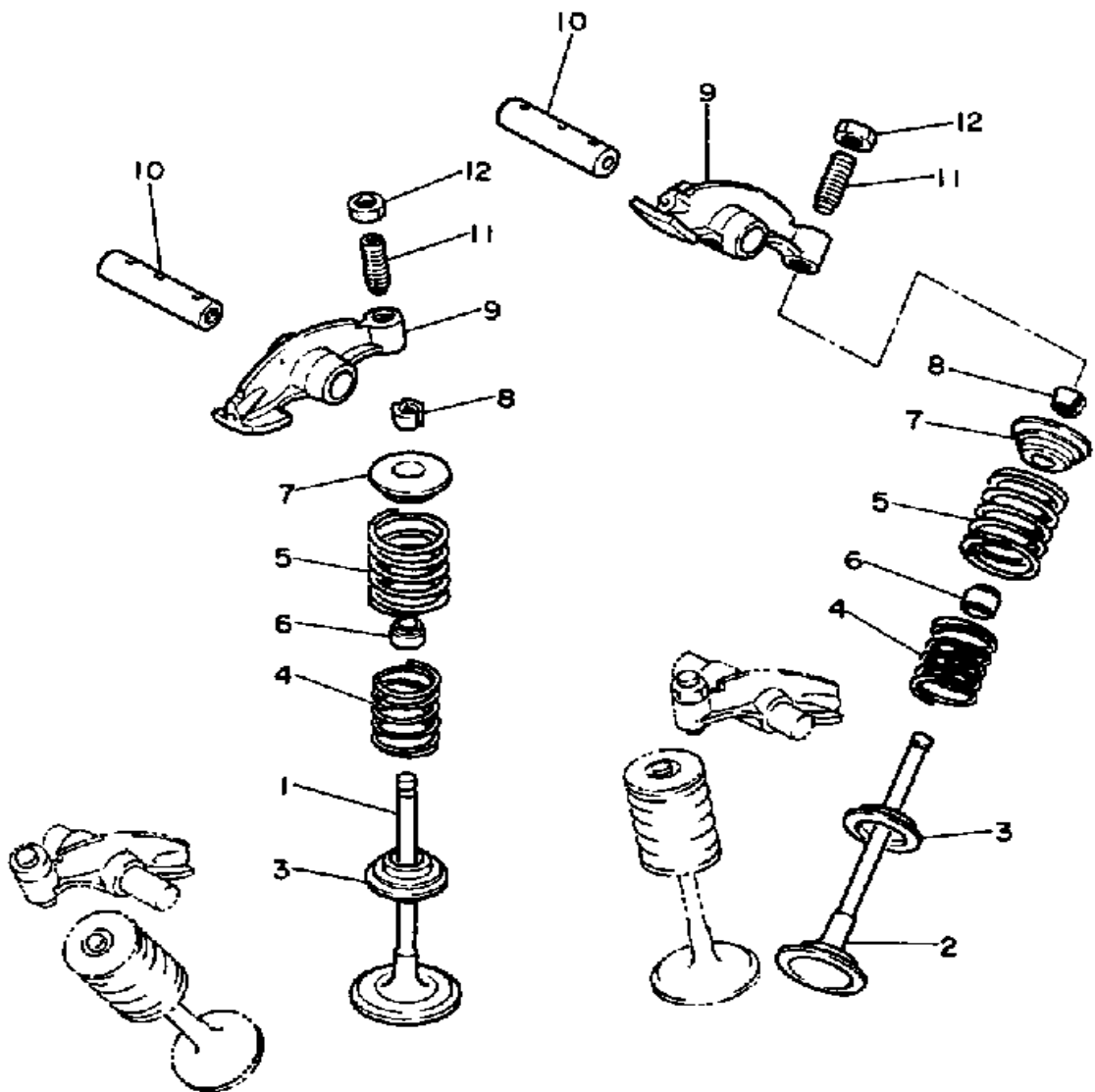
CONTINUED ON NEXT FRAME ►

CAMSHAFT-CHAIN



Ref. No.	Part Number	Description	Qty	Remarks
28	4DW-12213-00-00	GASKET, TENSIONER CASE . .	2	

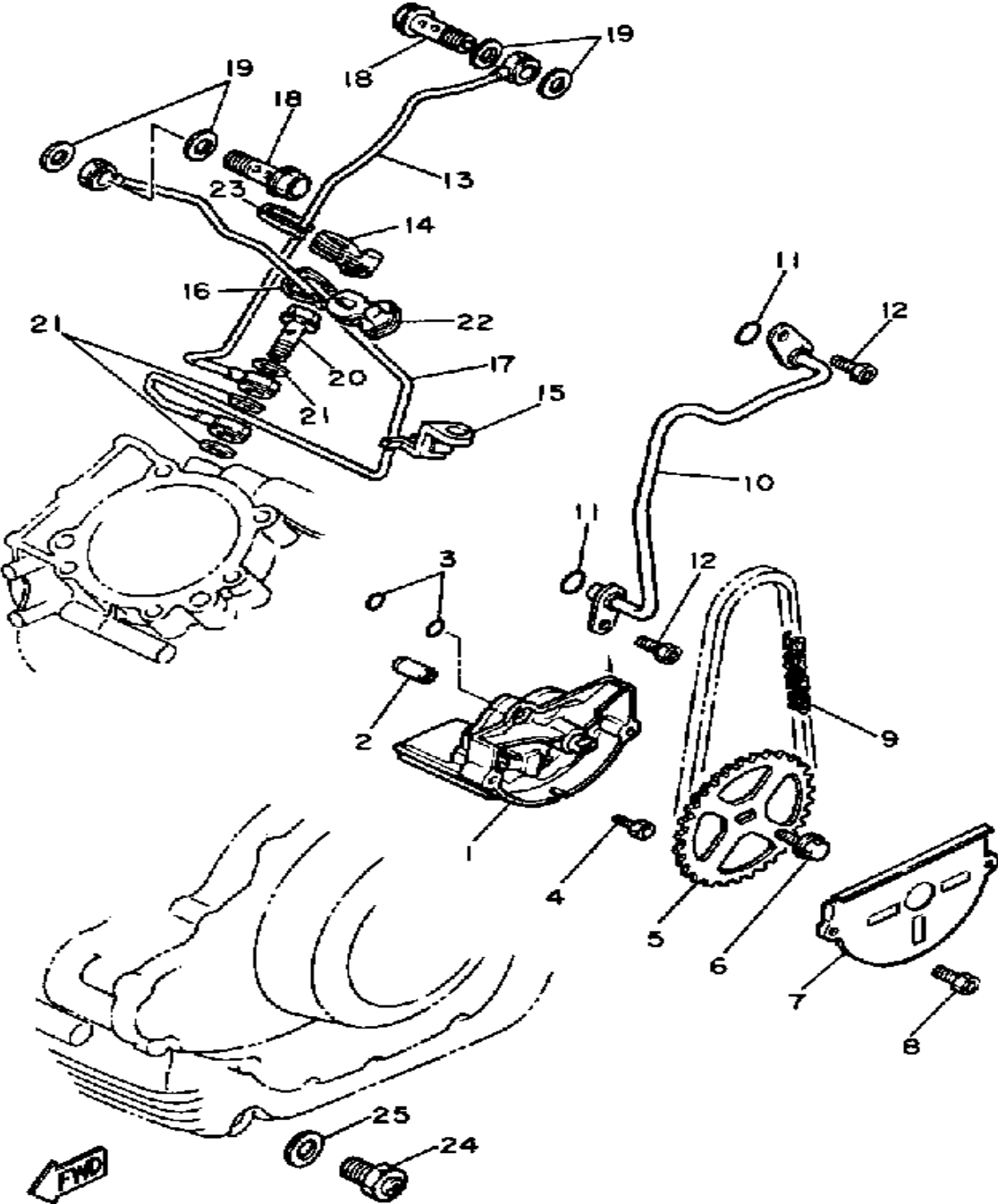
VALVE



Ref. No.	Part Number	Description	Qty	Remarks
1	4X7-12111-00-00	VALVE, INTAKE	2	
2	4X7-12121-00-00	VALVE, EXHAUST	2	
3	4X7-12116-00-00	SEAT, VALVE SPRING	4	
4	90501-31454-00	SPRING, COMPRESSION	4	
5	90501-44455-00	SPRING, COMPRESSION	4	
6	341-12119-02-00	SEAL, VALVE STEM	4	
7	4X7-12117-00-00	RETAINER, VALVE SPR	4	
8	4X7-12118-00-00	COTTER, VALVE	8	
9	42X-12151-00-00	ARM, VALVE ROCKER (4X7-12151-00)	4	
10	4X7-12156-01-00	SHAFT, ROCKER	4	
11	4X7-12159-00-00	SCREW, VALVE ADJUSTING ..	4	
12	90170-08173-00	NUT, HEXAGON	4	

5E3171-1050

OIL PUMP

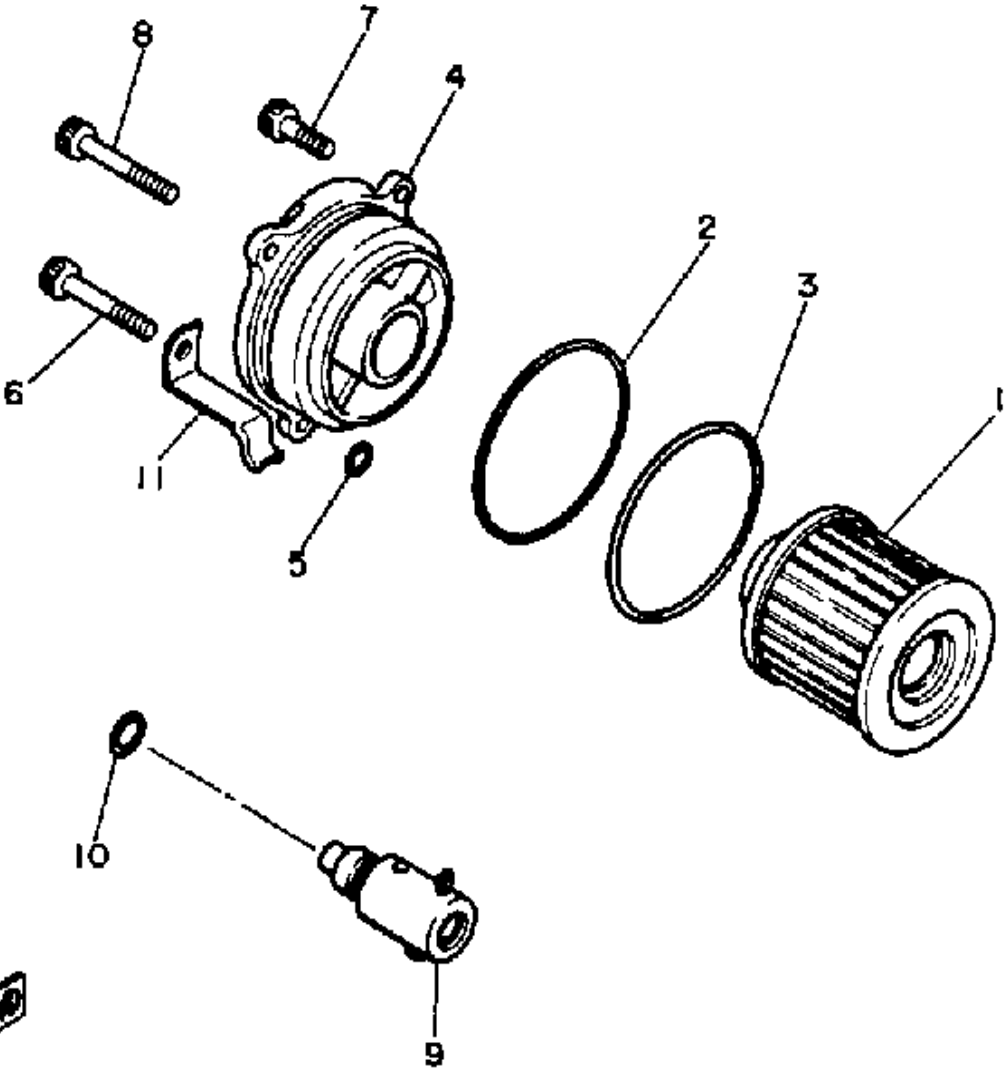


10L110-3060

Ref. No.	Part Number	Description	Qty	Remarks
1	10L-13300-00-00	OIL PUMP ASSEMBLY	1	
2	99510-08016-00	PIN, DOWEL	1	
3	93210-07438-00	O-RING	2	
4	91316-06040-00	BOLT, SOCKET HEAD	3	
5	4X7-13355-00-00	SPROCKET, DRIVEN	1	
6	90105-06154-00	BOLT, WASHER BASED	1	
7	10L-13327-00-00	COVER, PUMP GEAR	1	
8	91316-06010-00	BOLT, SOCKET HEAD	2	
9	94580-25066-00	CHAIN 4 7	1	
10	4X7-13171-00-00	PIPE, DELIVERY 2	1	
11	93210-07438-00	O-RING	2	
12	91316-06010-00	BOLT, SOCKET HEAD	2	
13	4X7-13405-00-00	OIL PIPE CMPLT 1	1	
14	4X7-15485-01-00	CLAMP	1	
15	4X7-15484-00-00	CLAMP 2	1	
16	90468-05113-00	CLIP	1	
17	4X7-13406-00-00	OIL PIPE CMPLT 2	1	
18	90401-16067-00	BOLT, UNION	2	
19	90430-17168-00	GASKET	4	
20	90401-10102-00	BOLT, UNION	1	
21	90430-15169-00	GASKET	3	
22	4X7-15485-01-00	CLAMP	1	
23	90468-05113-00	CLIP	1	
24	3VD-13455-00-00	PLUG	1	
25	214-11198-01-00	GASKET	1	

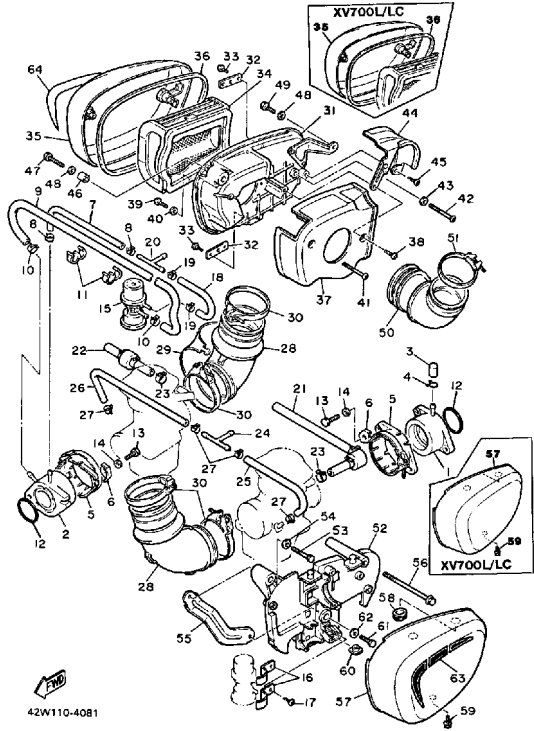
OIL FILTER

Ref. No.	Part Number	Description	Qty	Remarks
1	4X7-13440-90-00	ELMNT ASSEMBLY, OIL CLNR	1	
2	93210-56459-00	O-RING	1	
3	93210-54452-00	O-RING	1	
4	42X-13447-01-00	COVER, OIL ELEMENT	1	
5	93210-07135-00	O-RING	1	
6	90109-06667-00	BOLT	1	
7	91311-06020-00	BOLT, SOCKET HEAD	1	
8	91311-06050-00	BOLT, SOCKET HEAD	1	
9	11H-13490-00-00	RELIEF VALVE ASSEMBLY	1	
10	93210-10096-00	O-RING	1	
11	90462-10098-00	CLAMP	1	



5E3171-1070

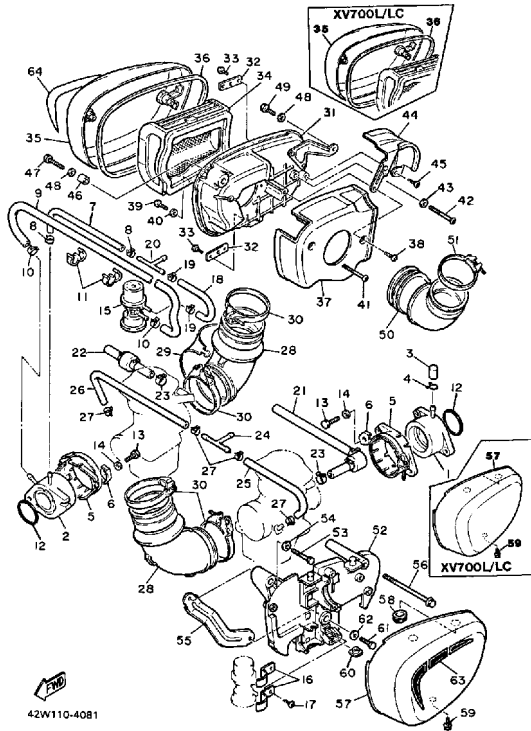
AIR CLEANER



Ref. No.	Part Number	Description	Qty	Remarks
1	24M-13586-01-00	JOINT, CARBURETOR 1	1	
2	24M-13596-01-00	JOINT, CARBURETOR 2	1	
3	16G-13569-00-00	PLUG, BLIND	1	
4	90467-10039-00	CLIP	1	
5	42X-13564-01-00	COVER, MANIFOLD	2	
6	42X-13578-00-00	WASHER	2	
7	42X-13544-00-00	HOSE, VACUUM SENSING 2	1	
8	90467-08092-00	CLIP	2	
9	42X-13543-00-00	HOSE, AIR	1	
10	90467-10091-00	CLIP, SCISSOR	2	
11	90468-02111-00	CLIP	2	
12	93210-44545-00	O-RING	2	
13	97016-06020-00	BOLT	4	
14	92906-06600-00	WASHER	4	
15	4X7-13541-00-00	VALVE, MIX CONTROL	1	
16	90462-08137-00	CLAMP	2	
17	97701-60114-00	SCREW, TAPPING	2	
18	42X-13542-00-00	HOSE, VAC SENSING 1	1	
19	90467-07093-00	CLIP	2	
20	4X7-13595-00-00	JOINT, CARBURETOR	1	
21	42X-14197-01-00	PIPE, AIRVENT (42X-14197-00)	1	
22	3CG-14987-00-00	HOSE	1	
23	90467-14057-00	CLIP	2	
24	90413-07007-00	WAY 3	1	
25	90445-11663-00	HOSE	1	
26	90445-11501-00	HOSE	1	
27	90467-10091-00	CLIP, SCISSOR	4	
28	10L-14453-01-00	JOINT, AIR CLEANER 1	2	
29	10L-14407-00-00	COVER, JOINT	1	

CONTINUED ON NEXT FRAME ➤

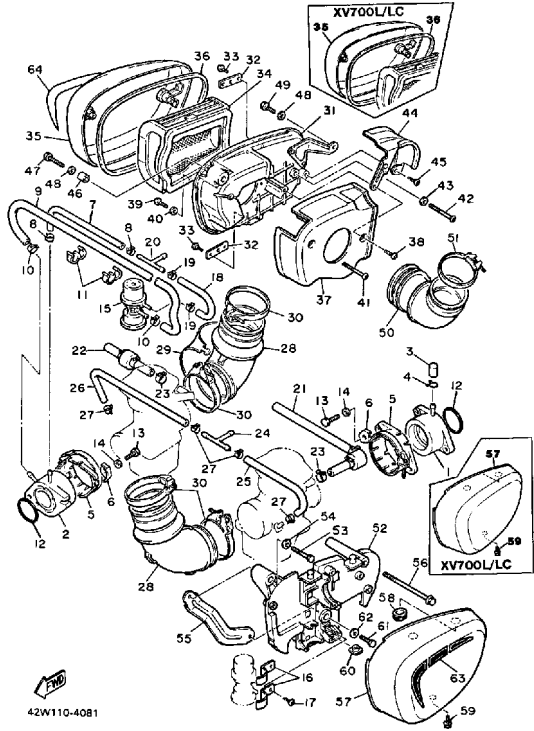
AIR CLEANER



Ref. No.	Part Number	Description	Qty	Remarks
30	90460-65195-00	CLAMP, HOSE	4	
31	42X-14401-01-00	AIR CLEANER CASE ASSEMBLY	1	
32	42X-14477-00-00	PLATE	2	
33	97780-40112-00	SCREW, TAPPING	4	
34	42X-14451-00-00	ELEMENT, AIR CLEANER	1	
35	42X-14422-01-00	CAP, CLEANER CASE 2 (N/NC)	1	
36	42X-14452-00-00	SEAL	1	
37	42X-1441A-00-00	COVER, CLNR CASE 1	1	
38	97706-50508-00	SCREW, TAPPING	1	
39	98580-05012-00	SCREW, PAN HEAD	1	
40	92990-05100-00	WASHER, SPRING	1	
41	98506-06080-00	SCREW, PAN HEAD	1	
42	98506-06050-00	SCREW, PAN HEAD	1	
43	92906-06600-00	WASHER	1	
44	42X-1441E-00-00	COVER, CLNR CASE 2	1	
45	97706-50508-00	SCREW, TAPPING	1	
46	90387-06553-00	COLLAR	1	
47	90110-06138-00	BOLT, HEX SKT HEAD	1	
48	92906-06200-00	WASHER	2	
49	91316-06012-00	BOLT, SOCKET HEAD	1	
50	42X-14485-00-00	PIPE, JOINT	1	
51	90460-65195-00	CLAMP, HOSE	1	
52	42X-14663-02-00	PLATE, AIR CLEANER	1	
53	91311-06090-00	BOLT	1	
54	92906-06200-00	WASHER	1	
55	42X-14484-00-00	PLATE, CLEANER CASE FITTING	1	
56	95811-06025-00	BOLT, FLANGE	1	

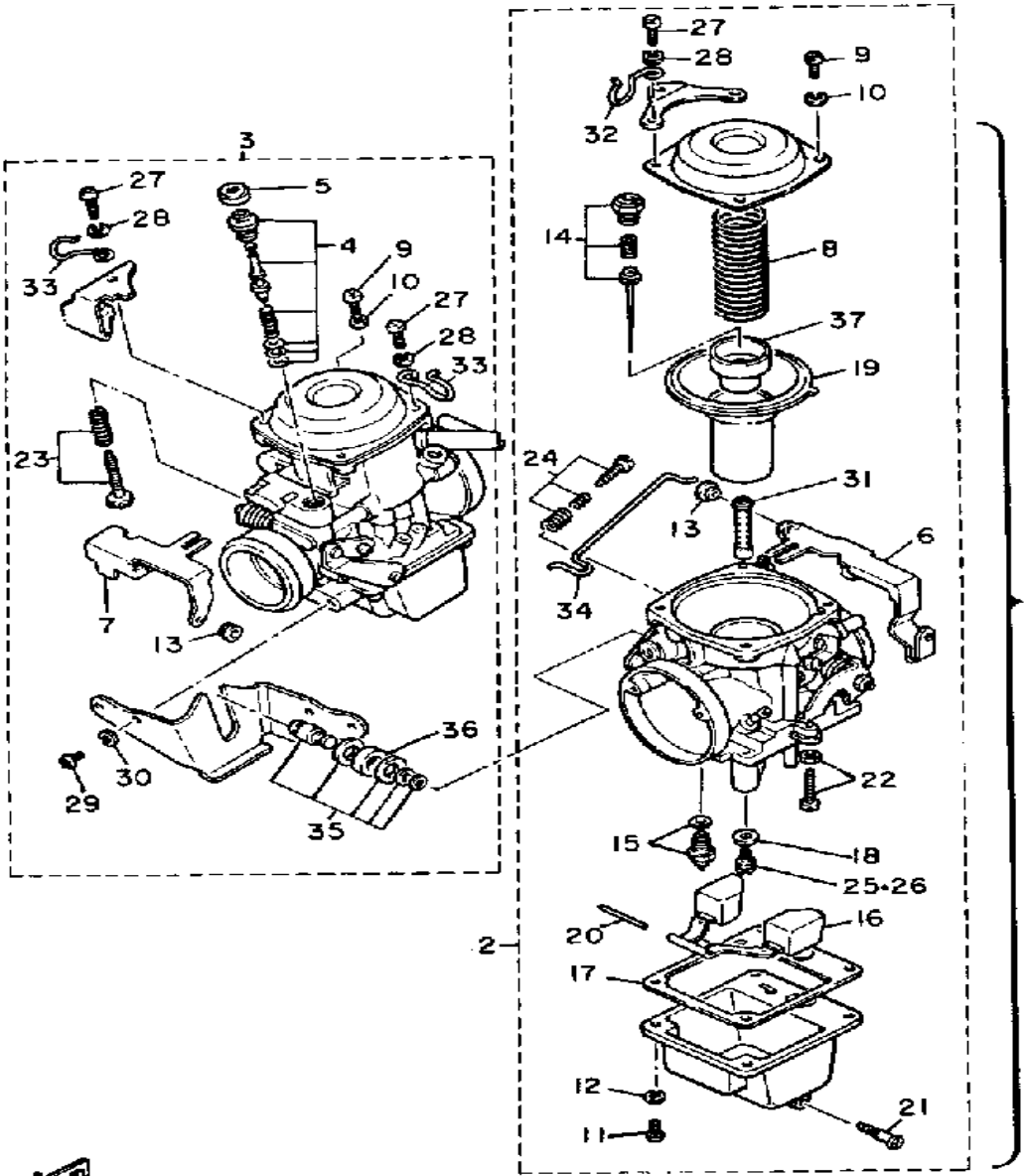
CONTINUED ON NEXT FRAME ►

AIR CLEANER



Ref. No.	Part Number	Description	Qty	Remarks
57	42X-14603-00-00	COVER 1 (N/NC)	1	
58	90480-14074-00	GROMMET	2	
59	95821-06014-00	BOLT, FLANGE	1	
60	12R-14484-01-00	PLATE, CLEANER CASE FITTING	1	
61	91316-06035-00	BOLT	1	
62	92906-06200-00	WASHER	1	
63	57A-1441K-00-00	EMBLEM	2	U.R. FOR ROC
	57A-1441K-10-00	EMBLEM	2	U.R. FOR ROC
64	57A-1442K-00-00	EMBLEM 1	2	U.R. FOR ROC
	57A-1442K-10-00	EMBLEM 2	2	U.R. FOR NBB

CARBURETOR



XV700N/NC

CARBURETOR - Manufacturer / Type / I.D. Number	Hirochi / HSC40 / N:56E-00	NC:56F-00
Main Jet / Pilot Jet / Pilot Screw (Turns Out)	#1: 128 / 43 #2: 132 / 42 / NA	
Needle Jet / Jet Needle-Clip Position	3.2 / Y-32 Fixed	
Slide Outaway	φ	
Float Level / Fuel Level	18.5 ± 0.5mm / 0.0 ± 4.0mm	
Idle rpm	1000 rpm	
Max CO _e / Max HC _e / Set CO	6.0% / 700 ppm / 3.0%	

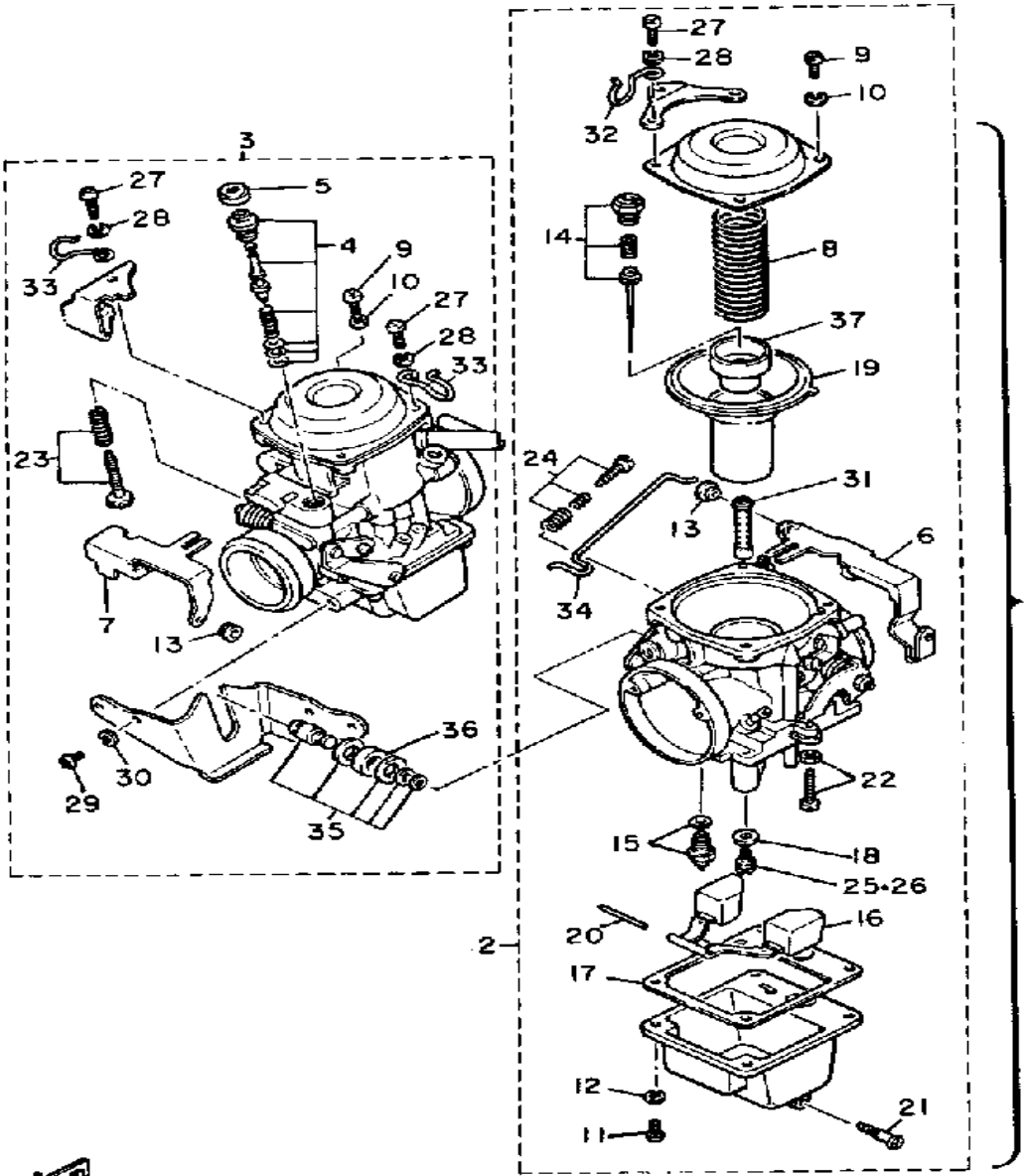
Ref. No.	Part Number	Description	Qty	Remarks
1	φ42-W1490-00-00	UNAVAILABLE IN PRICE BOOK	1	
	φ42-X1490-00-00	UNAVAILABLE IN PRICE BOOK	1	
2	(42X-14901-01-00)	CARBURETOR ASSEMBLY 1	1	
	42W-14901-02-00	. CARBURETOR ASSEMBLY 1 (CS/CT)	1	
3	(42X-14902-00-00)	CARBURETOR ASSEMBLY 2	1	
	42W-14902-02-00	. CARBURETOR ASSEMBLY 2 (CS/CT)	1	
4	4X7-14371-01-00	.. PLUNGER, STARTER	2	
5	4H7-14173-00-00	.. COVER, PLUNGER CAP	2	
6	10L-14976-01-00	.. LEVER, STARTER 2	1	
7	(10L-14976-11-00)	LEVER, STARTER 2	1	
8	(42X-14933-00-00)	SPRING, DIAPHRAGM	2	
9	98580-05012-00	.. SCREW, PAN HEAD	5	
10	92990-05100-00	.. WASHER, SPRING	5	
11	98580-05016-00	.. SCREW, PAN HEAD	8	
12	92990-05100-00	.. WASHER, SPRING	8	
13	4X7-14998-01-00	.. BUSH	2	
14	4X7-14916-29-00	.. NEEDLE Y- 9	2	
15	10L-14390-02-00	.. NEEDLE VALVE ASSEMBLY (4X7-14390-00)	2	
16	10L-14985-01-00	.. FLOAT	2	
17	10L-14984-02-00	.. GASKET, FLOAT CHMBR	2	
18	4H7-14945-00-00	.. WASHER, MAIN JET	2	
19	42X-14940-00-00	.. DIAPHRAGM ASSEMBLY	2	
20	4H7-14186-00-00	.. PIN, FLOAT	2	
21	4X7-14191-01-00	.. PLUG, DRAIN	2	
22	4X7-14321-01-00	.. SCREW, THROTTLE	1	
23	4X7-14121-01-00	.. SCREW, THRTL STOPSPRING 1	1	

CONTINUED ON NEXT FRAME ►

42W110-4090



CARBURETOR



Ref. No.	Part Number	Description	Qty	Remarks
24	4X7-14522-01-00	.. SCREW, ADJUST	1	
25	4X7-14925-28-00	.. JET, MAIN	1	
26	4X7-14925-32-00	.. JET, MAIN (#132 2	1	
27	98580-05016-00	.. SCREW, PAN HEAD	3	
28	92990-05100-00	.. WASHER, SPRING	3	
29	98503-06014-00	.. SCREW, PAN HEAD (92502-06016)	4	
30	92995-06100-00	.. WASHER, SPRING	4	
31	42X-14921-32-00	.. NOZZLE, MAIN	2	
32	(22N-14139-00-00)	CLIP, PIPE	1	
33	(10L-14937-00-00)	CLIP	2	
34	(4X7-14177-01-00)	ROD, STARTER LEVER	1	
35	4X7-14962-00-00	.. WASHER	1	
36	4X7-14267-00-00	.. ROLLER	1	
37	42X-1491E-00-00	.. RECEIVER, SPRING	2	

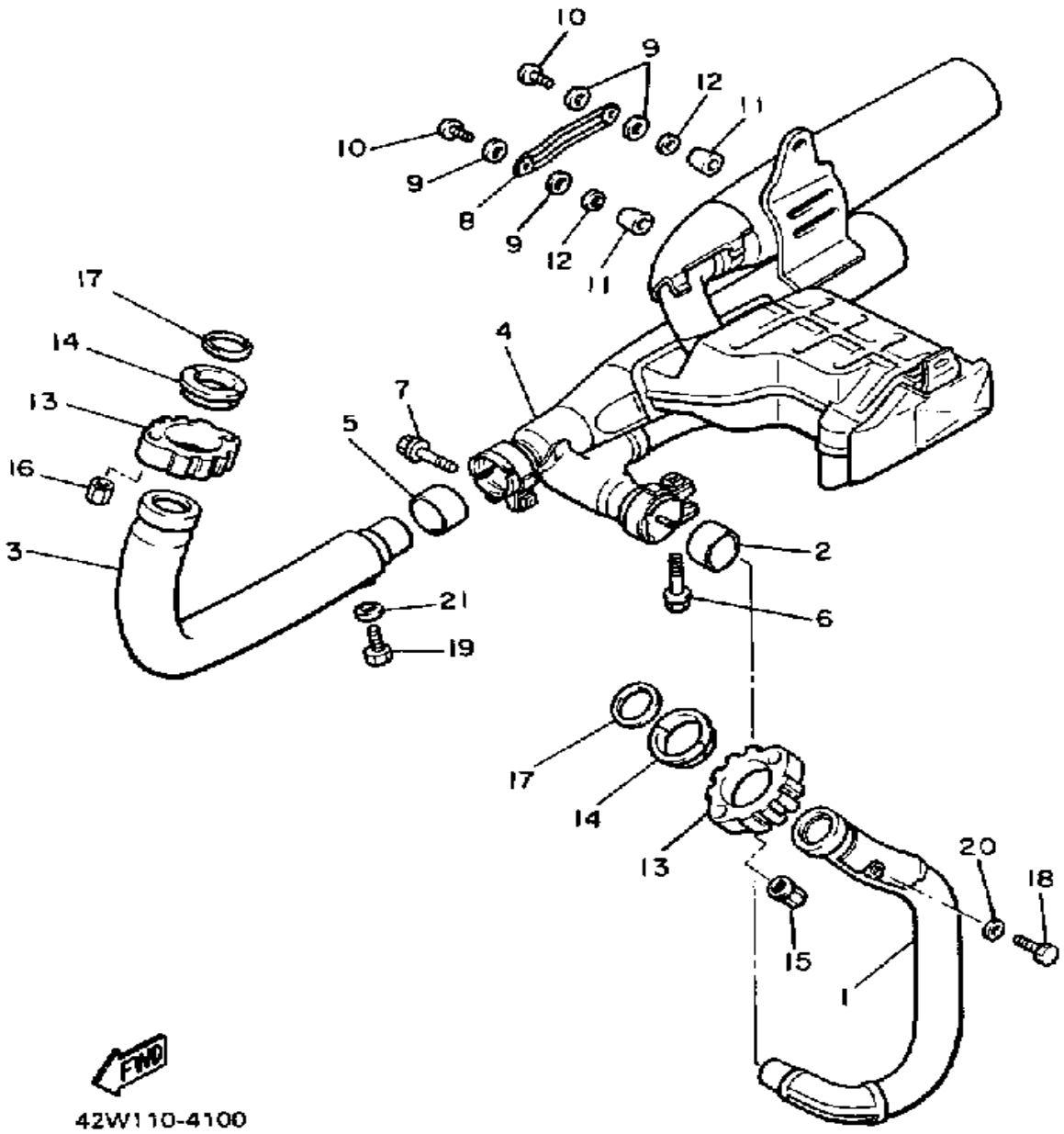


42W110-4090

XV700N/NC

CARBURETOR - Manufacturer / Type / I.D. Number	Hirochi / HSC40 / N:56E-00	NC:56F-00
Main Jet / Pilot Jet / Pilot Screw (Turns Out)	#1: 128 / 43 #2: 132 / 42 / NA	
Needle Jet / Jet Needle-Clip Position	3.2 / Y-32 Fixed	
Slide Outaway	φ	
Floot Level / Fuel Level	18.5 ± 0.5mm / 0.0 ± 4.0mm	
Idle rpm	1000 rpm	
Max CO _e / Max HC _e / Set CO	6.0% / 700 ppm / 3.0%	

EXHAUST

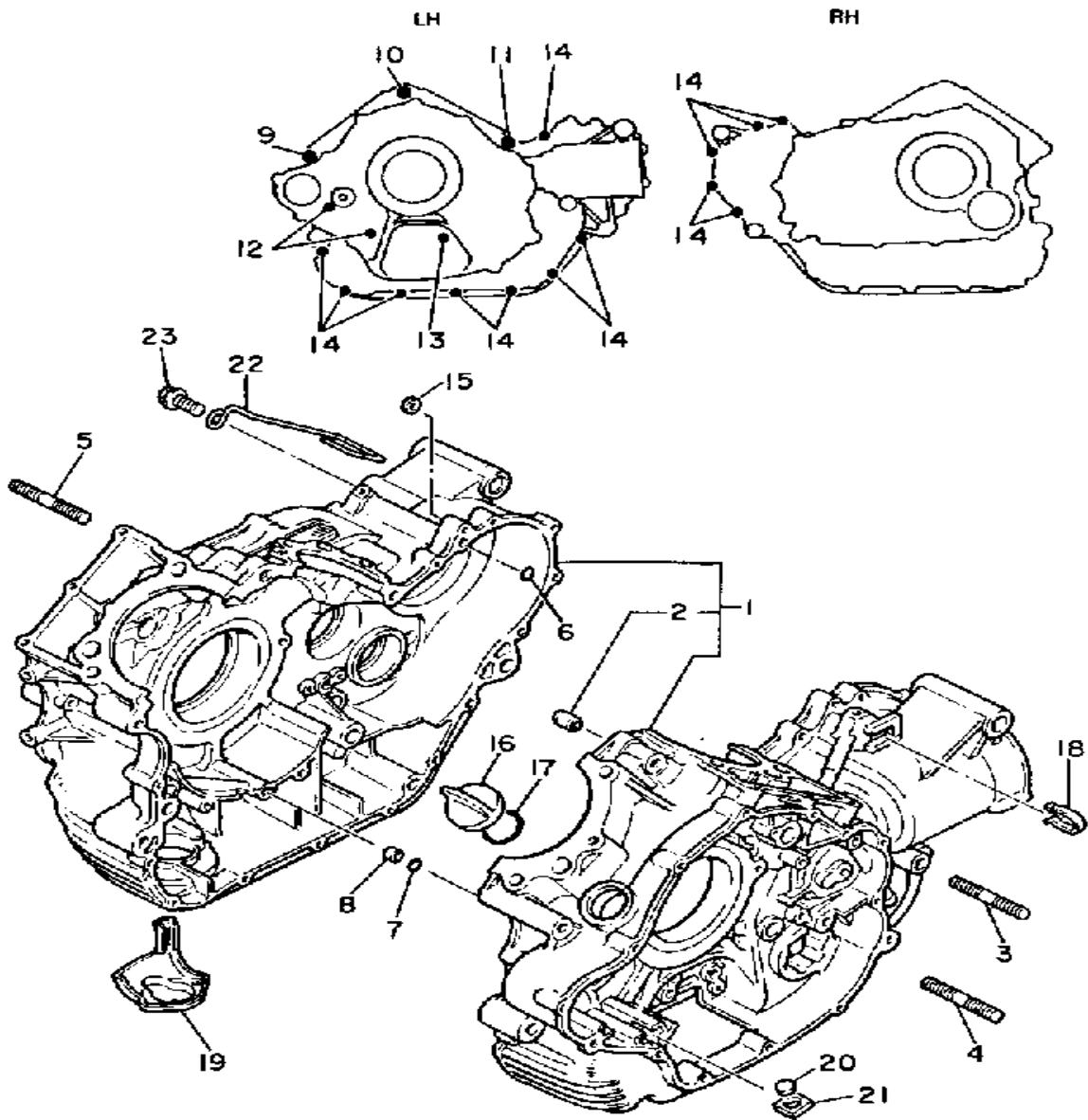


Ref. No.	Part Number	Description	Qty	Remarks
1	42X-14611-00-00	PIPE, EXHAUST 1	1	
2	3EG-14714-00-00	GASKET, MUFFLER	1	
3	1RV-14621-00-00	PIPE, EXHAUST 2	1	
4	1RM-14711-01-00	MUFFLER 1	1	
5	3YF-14755-00-00	GASKET, SILENCER	1	
6	95811-08045-00	BOLT, FLANGE (JN5)	1	
7	95811-08045-00	BOLT, FLANGE (JN5)	1	
8	42X-14748-01-00	PROTECTOR, MUFFLER 4	1	
9	90202-05187-00	WASHER, PLATE	4	
10	98903-06010-00	SCREW, BIND	2	
11	42X-1479H-00-00	COVER, 1	2	
12	92990-06200-00	WASHER	2	
13	42X-14612-00-00	NUT, RING	2	
	57A-14612-01-00	NUT, RING	2	
14	42X-1468A-00-00	RING, SILENCER 1	2	
15	90179-08210-00	NUT, SPEC'L SHAPE	2	
16	90179-08004-00	NUT	2	
17	3EG-14613-00-00	GASKET, EXHAUST PIPE	2	
18	90101-06576-00	BOLT	1	
19	90101-06576-00	BOLT	1	
20	92990-06600-00	WASHER, PLATE	1	
21	92990-06600-00	WASHER, PLATE	1	



42W110-4100

CRANKCASE

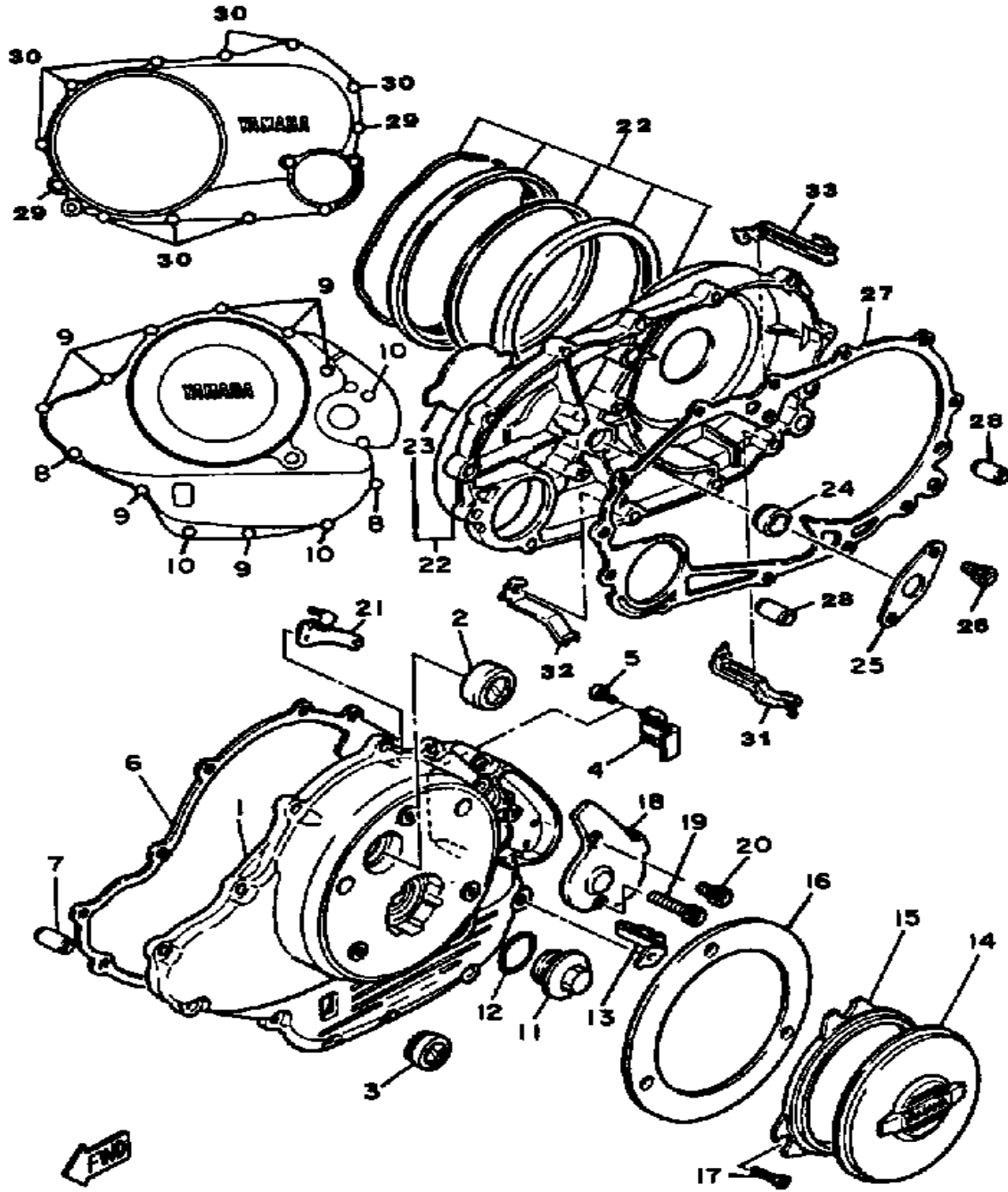


Ref. No.	Part Number	Description	Qty	Remarks
1	42X-15100-02-00	CRANKCASE ASSEMBLY	1	
2	99530-14016-00	. PIN, DOWEL	3	
3	95611-10620-00	BOLT, STUD	1	
4	95611-10620-00	BOLT, STUD	1	
5	95611-10670-00	BOLT, STUD	1	
6	93210-07438-00	O-RING	1	
7	93210-07135-00	O-RING	1	
8	90387-064E8-00	COLLAR	1	
9	91311-10100-00	BOLT, SOCKET HEAD	1	
10	91311-10070-00	BOLT, SOCKET HEAD	1	
11	91311-10060-00	BOLT, SOCKET HEAD	1	
12	91311-06080-00	BOLT, SOCKET HEAD	2	
13	91311-06055-00	BOLT, SOCKET HEAD	1	
14	91311-06030-00	BOLT, SOCKET HEAD	13	
15	90430-06014-00	GASKET	1	
16	4X7-15363-00-00	PLUG, OIL	1	
	57A-15363-11-00	PLUG, OIL	1	
17	93210-29198-00	O-RING	1	
18	90465-10168-00	CLAMP	1	
19	4X7-15491-00-00	PROTECTOR	1	
20	4X7-13419-00-00	PLUG	1	
21	90480-20302-00	GROMMET	1	
22	42X-21164-00-00	HOLDER, CABLE	1	
23	90105-10275-00	BOLT, WASHER BASED	1	



42W110-4110

CRANKCASE COVER 1

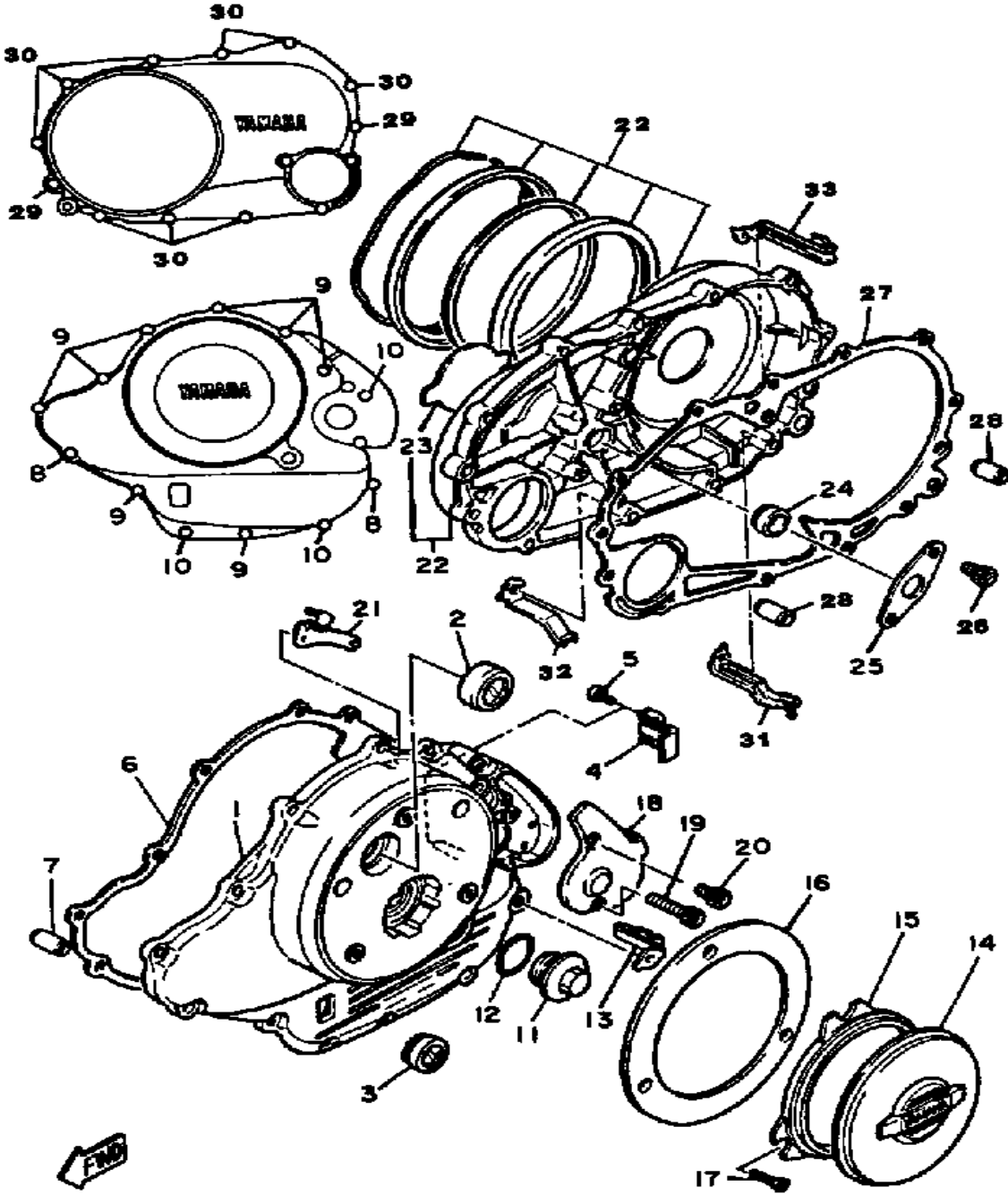


42W110-4120

Ref. No.	Part Number	Description	Qty	Remarks
1	4X7-15411-02-00	COVER, CRANKCASE L (4X7-15411-00)	1	
2	4X7-15361-00-00	GAUGE, LEVEL	1	
3	2H7-15361-00-00	GAUGE, LEVEL	1	
4	90462-08073-00	CLAMP	1	
5	98580-06010-00	SCREW, PAN HEAD (92503-06010)	1	
6	3EG-15451-00-00	GASKET, CRCS COVER	1	
7	99530-10014-00	PIN, DOWEL	2	
8	91311-06040-00	BOLT	2	
9	91311-06030-00	BOLT, SOCKET HEAD	8	
10	91311-06020-00	BOLT, SOCKET HEAD	3	
11	1L9-11186-00-00	COVER, CYLINDER HEAD SIDE 2	1	
12	93210-32172-00	O-RING	1	
13	90462-08076-00	CLAMP	1	
14	42X-15415-01-00	COVER, GENERATOR	1	
15	4X7-15455-00-00	GASKET 1	1	
16	42X-15425-01-00	COVER, GENERATOR R (4X7-15425-00)	1	
17	98780-06016-00	SCREW, FLAT HEAD (92603-06016)	3	
18	42X-15417-01-00	COVER, CAP	1	
19	91311-06055-00	BOLT, SOCKET HEAD	1	
20	91311-06016-00	BOLT, SOCKET HEAD	1	
21	42X-15441-00-00	HOLDER, CLUTCH CABLE	1	
22	42X-W1542-00-00	COVER, CRANKCASE R	1	
23	42X-15447-00-00	. EMBLEM	1	
24	93101-14102-00	OIL SEAL, S-TYPE	1	
25	4X7-15388-00-00	PLATE, BRNG COVER	1	

CONTINUED ON NEXT FRAME ►

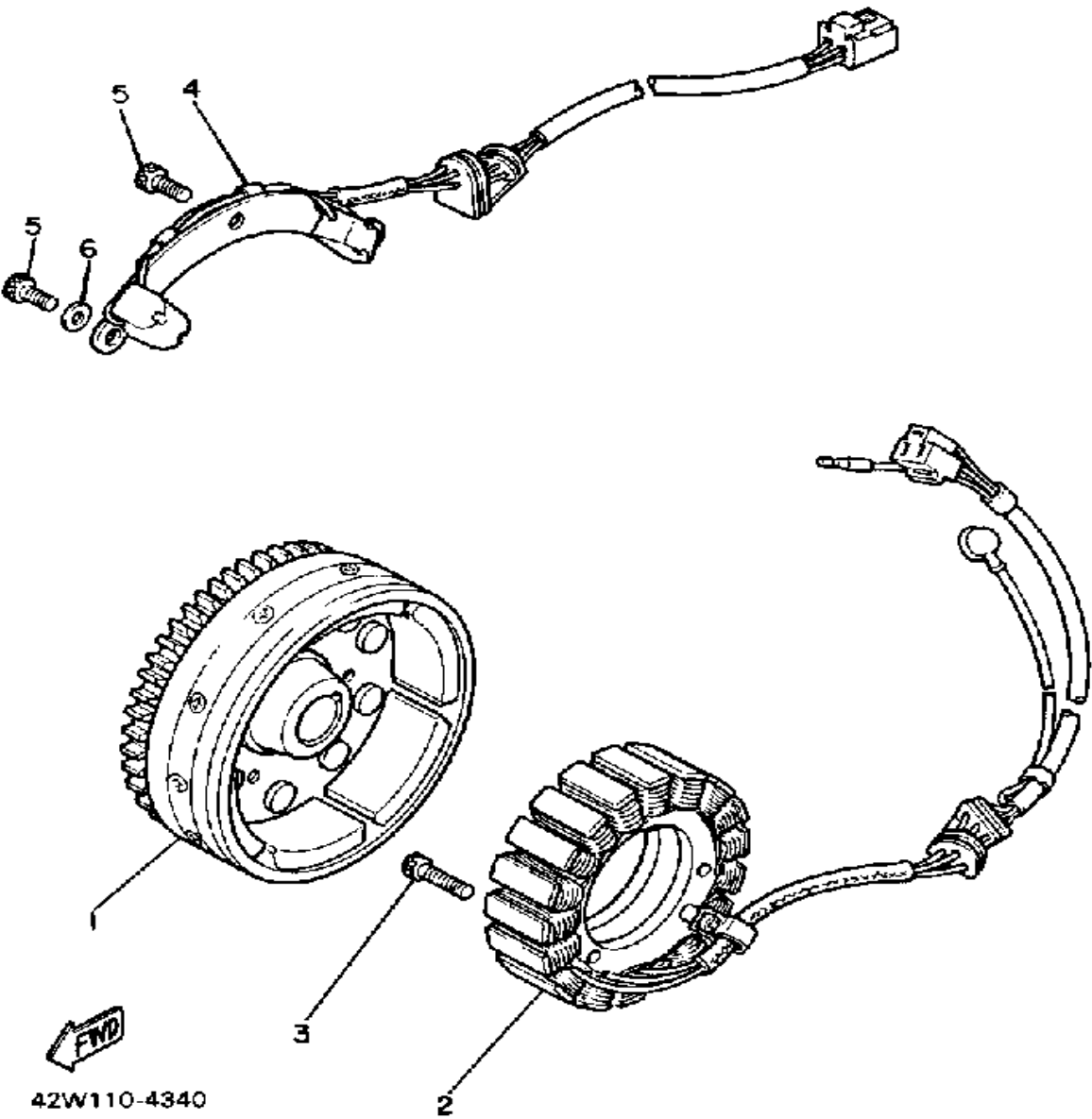
CRANKCASE COVER 1



Ref. No.	Part Number	Description	Qty	Remarks
26	91316-06016-00	BOLT, SOCKET HEAD	2	
27	3EG-15462-00-00	GASKET, CRCS CVR 3	1	
28	99530-10020-00	PIN, DOWEL	2	
29	91311-06040-00	BOLT	2	
30	91311-06025-00	BOLT, SOCKET HEAD	9	
31	90462-10143-00	CLAMP	1	
32	90462-10085-00	CLAMP	2	
33	90462-12142-00	CLAMP	1	

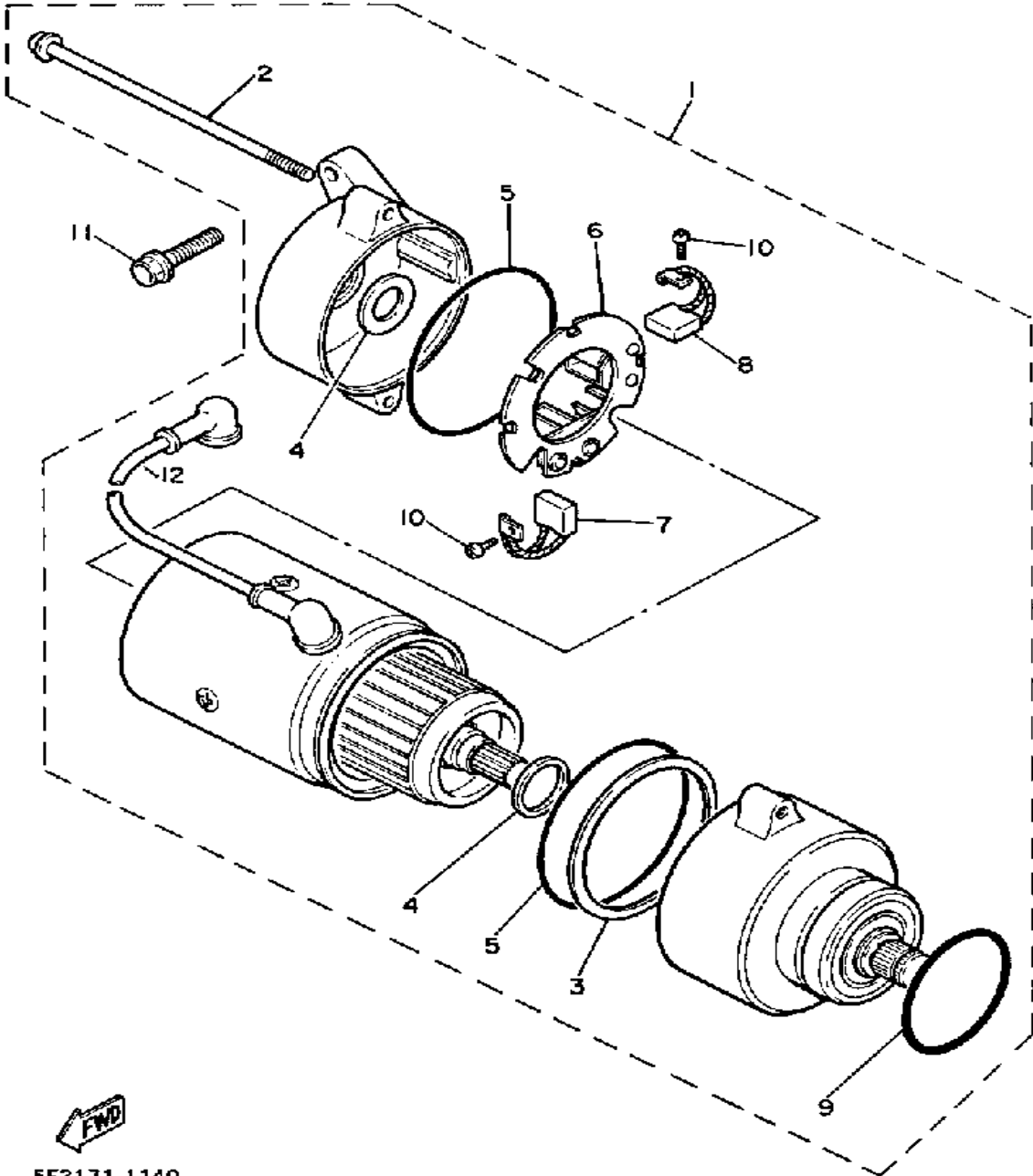
42W110-4120

GENERATOR



Ref. No.	Part Number	Description	Qty	Remarks
1	20X-81450-20-00	ROTOR ASSEMBLY	1	
2	42X-81410-20-00	STATOR ASSEMBLY	1	
3	91316-06040-00	BOLT, SOCKET HEAD	3	
4	42X-81670-20-00	PICK-UP ASSEMBLY	1	
5	91316-06016-00	BOLT, SOCKET HEAD	3	
6	90201-06643-00	WASHER, PLATE	2	

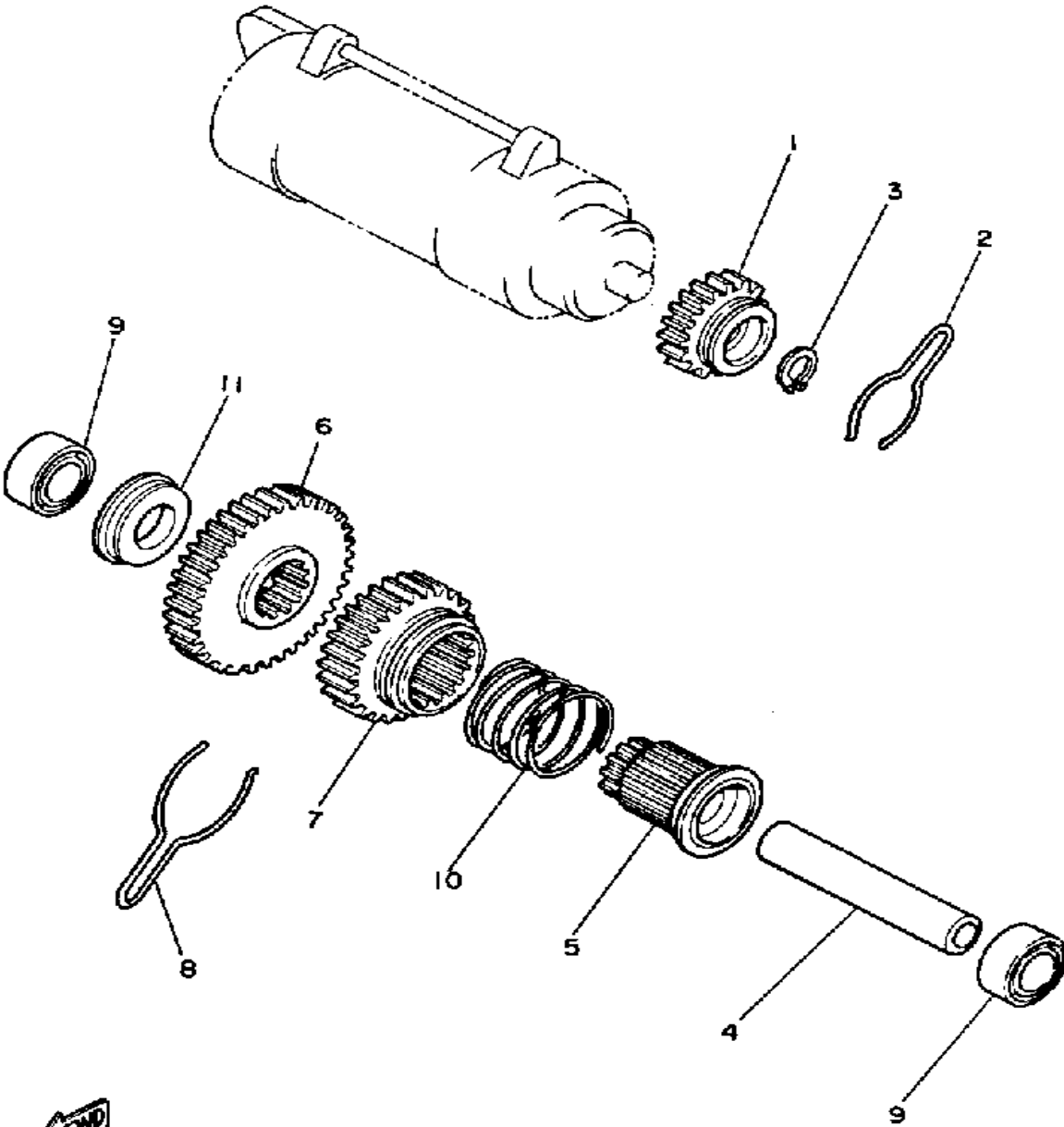
STARTING MOTOR



Ref. No.	Part Number	Description	Qty	Remarks
1	42X-81800-60-00	STARTING MOTOR ASSEMBLY (4X7-81800-60)	1	
2	371-81826-20-00	. BOLT	1	
3	4X7-81844-60-00	. GASKET	1	
4	371-81809-20-00	. WASHER KIT	1	
5	371-81847-20-00	. O-RING	2	
6	4X7-81840-60-00	. BRUSH HOLDER ASSEMBLY	1	
7	371-81811-20-00	. BRUSH 1	1	
8	371-81812-20-00	. BRUSH 2	1	
9	1J7-81847-60-00	. O-RING	1	
10	98580-03008-00	. SCREW, PAN HEAD	2	
11	95811-06025-00	BOLT, FLANGE	2	
12	(42X-81815-00-00)	WIRE, STARTER	1	

 5E3171-1140

STARTER CLUTCH

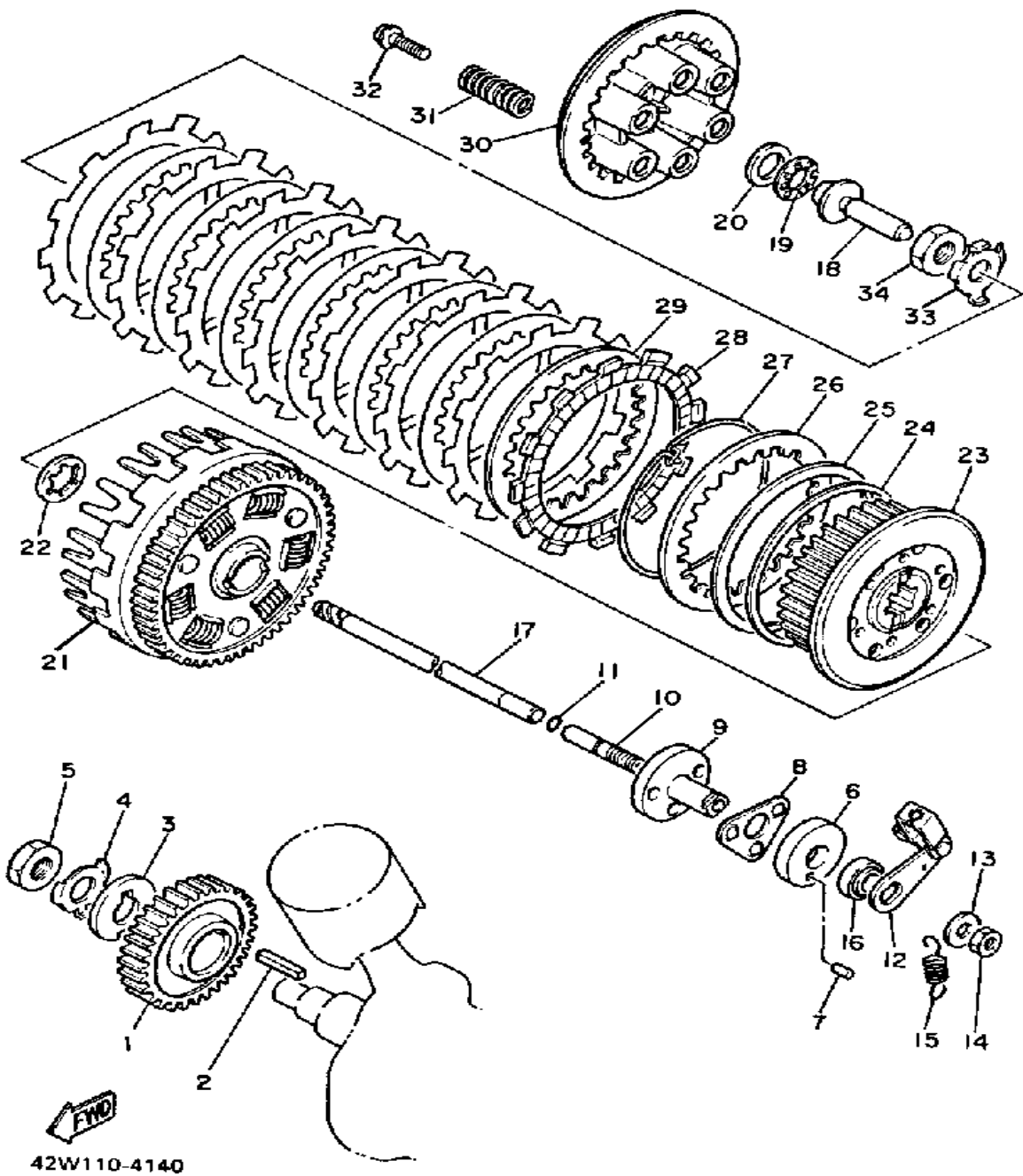


Ref. No.	Part Number	Description	Qty	Remarks
1	4X7-15511-00-00	GEAR, STARTING MTR	1	
2	90468-29114-00	CLIP	1	
3	99009-13400-00	CIRCLIP (55X)	1	
4	4X7-15521-00-00	SHAFT 1	1	
5	4X7-15524-00-00	WHEEL, STARTER	1	
6	4X7-15512-00-00	GEAR, IDLER 1	1	
7	4X7-15517-00-00	GEAR, IDLER 2	1	
8	90468-29106-00	CLIP	1	
9	90387-172E5-00	COLLAR	2	
10	90501-15636-00	SPRING, COMPRESSION	1	
11	90387-170E5-00	COLLAR	1	



5E3171-1150

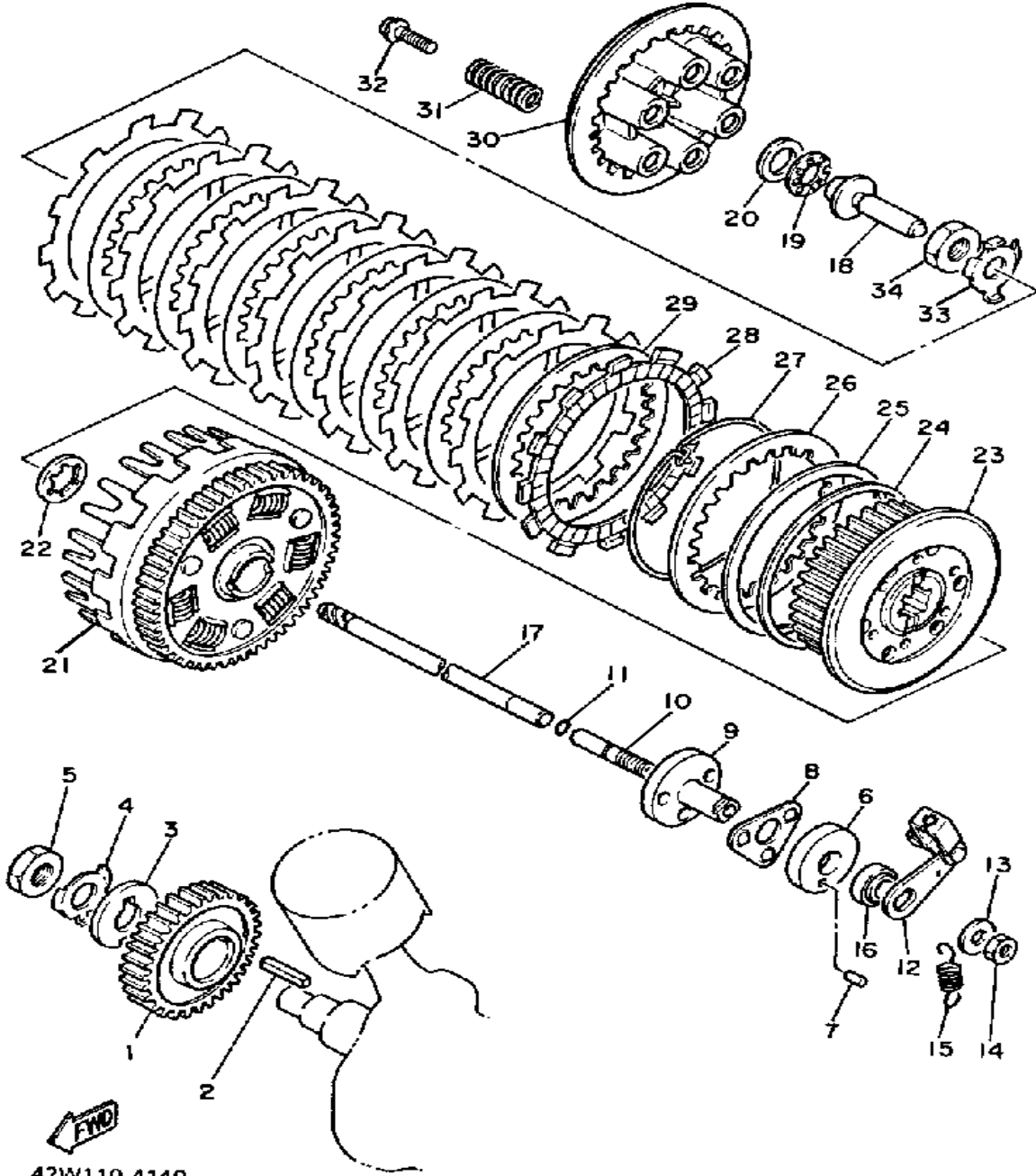
CLUTCH



Ref. No.	Part Number	Description	Qty	Remarks
1	4X7-16111-00-00	GEAR, PRI DRIVE	1	
2	90282-07042-00	KEY, STRAIGHT	1	
3	90214-20022-00	WASHER, CLAW	1	
4	90215-20182-00	WASHER, LOCK	1	
5	90170-20274-00	NUT, HEXAGON	1	
6	2H7-16396-00-00	HOUSING, PUSH SCREW	1	
7	93606-07082-00	PIN, DOWEL	1	
8	2H7-16395-01-00	RETAINER, BALL	1	
9	2H7-16341-00-00	SCREW, PUSH	1	
10	2H7-16343-00-00	SCREW, ADJUSTING	1	
11	93210-48364-00	O-RING	1	
12	4X7-16340-00-00	PUSH LEVER ASSEMBLY	1	
13	92990-08200-00	WASHER, PLAIN	1	
14	95303-08700-00	NUT	1	
15	90506-10069-00	SPRING, TENSION	1	
16	93104-14059-00	OIL SEAL, SO-TYPE	1	
17	4X7-16357-00-00	ROD, PUSH 2	1	
18	4X7-16356-00-00	ROD, PUSH 1	1	
19	93340-21505-00	BEARING	1	
20	90201-154E9-00	WASHER, PLATE	1	
21	4X7-16150-02-00	PRI DRVN GEAR	1	
22	3Y1-16154-00-00	PLATE, THRUST 1	1	
23	4X7-16371-00-00	BOSS, CLUTCH	1	
24	4X7-16384-00-00	PLATE, SEAT	1	
25	4X7-16383-01-00	SPRING, CLUTCH BOSS	1	
26	4X7-16324-00-00	PLATE, CLUTCH 1	1	
27	4X7-16385-00-00	RING, CLUTCH BOSS	1	
28	22U-16321-00-00	PLATE, FRICTION	8	
29	4X7-16325-00-00	PLATE, CLUTCH 2	7	

CONTINUED ON NEXT FRAME ➤

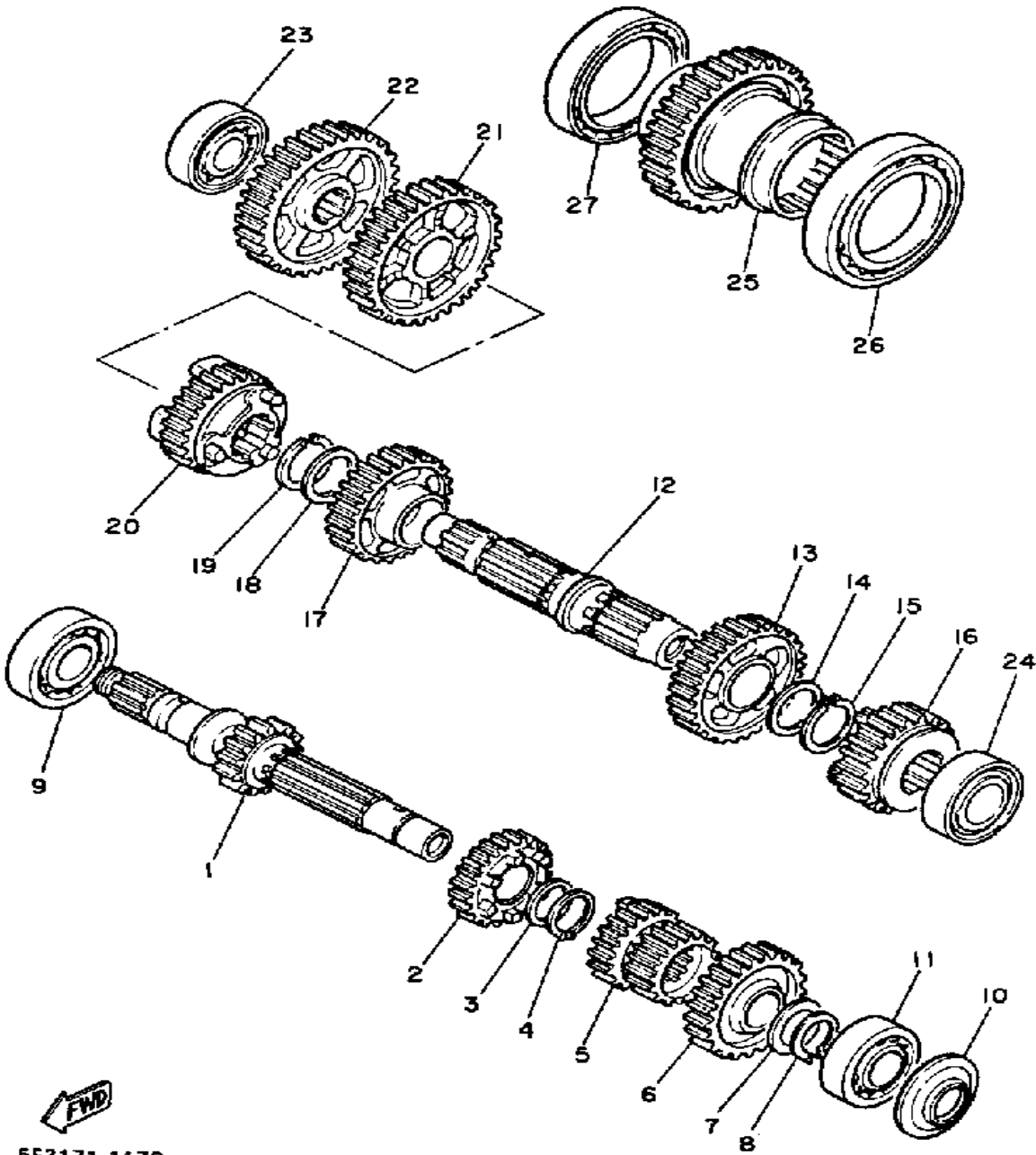
CLUTCH



42W110-4140

Ref. No.	Part Number	Description	Qty	Remarks
30	4X7-16351-00-00	PLATE, PRESSURE 1	1	
31	90501-23598-00	SPRING, COMPRESSION	6	
32	90159-06092-00	SCREW, WITH WASHER	6	
33	90215-20231-00	WASHER, LOCK	1	
34	90170-20327-00	NUT	1	

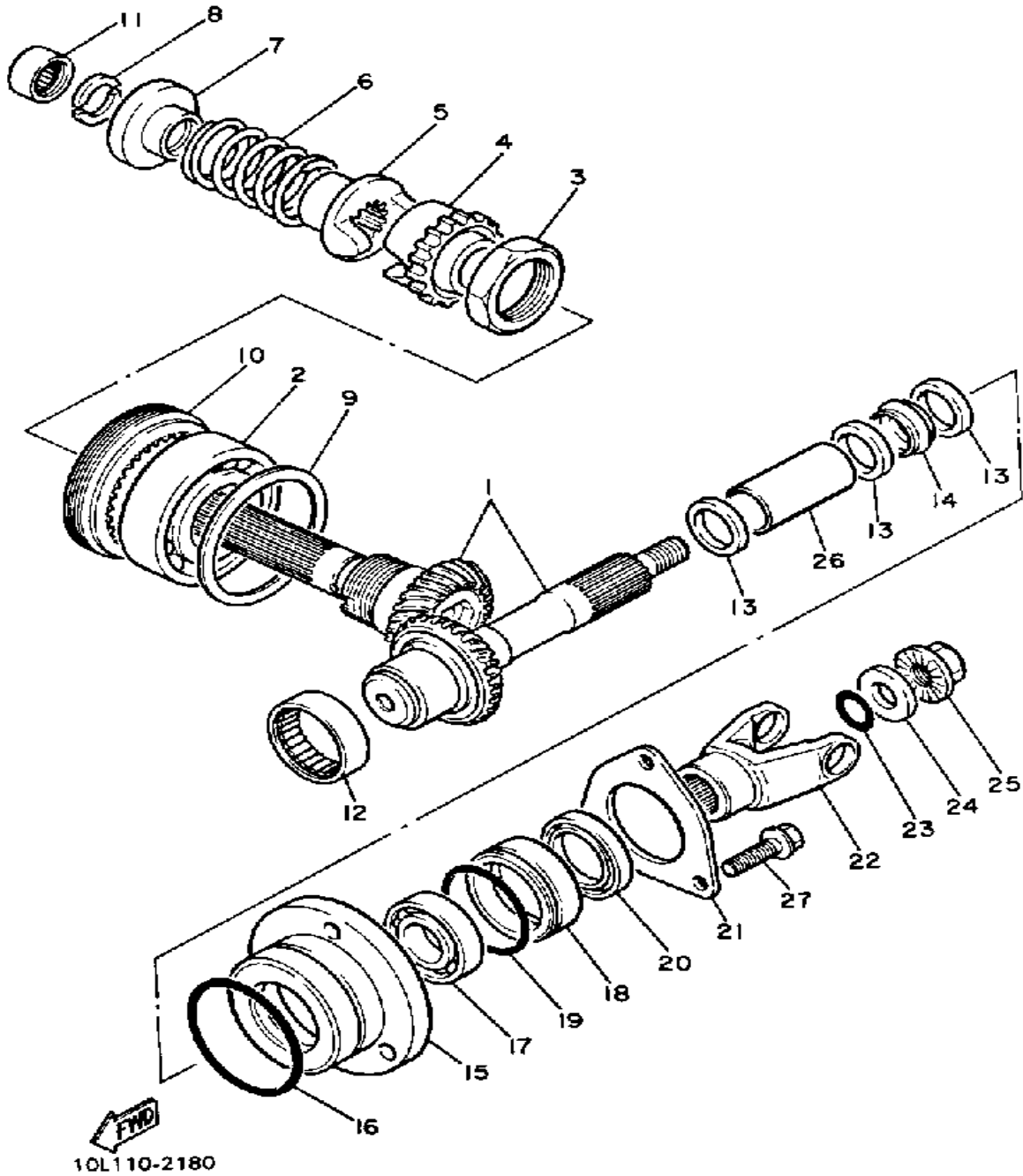
TRANSMISSION



Ref. No.	Part Number	Description	Qty	Remarks
1	4X7-17411-00-00	AXLE, MAIN	1	
2	4X7-17141-00-00	GEAR, 4TH PINION	1	
3	90209-22191-00	WASHER	1	
4	93410-25010-00	CIRCLIP, S-TYPE	1	
5	4X7-17121-00-00	GEAR, 2ND PINION	1	
6	42X-17151-00-00	GEAR, 5TH PINION (34T)	1	
7	90201-20276-00	WASHER, PLATE (1.0T)	1	
8	99009-20400-00	CIRCLIP	1	
9	93306-30525-00	BEARING (B6305)	1	
10	93104-20068-00	OIL SEAL	1	
11	93306-30424-00	BEARING (B6304A3)	1	
12	4X7-17402-00-00	DRIVE AXLE ASSEMBLY	1	
13	4X7-17221-00-00	GEAR, 2ND WHEEL	1	
14	90209-27192-00	WASHER	1	
15	93440-30077-00	CIRCLIP	1	
16	42X-17251-00-00	GEAR, 5TH WHEEL (29T)	1	
17	4X7-17231-00-00	GEAR, 3RD WHEEL	1	
18	90209-27192-00	WASHER	1	
19	93440-30077-00	CIRCLIP	1	
20	4X7-17241-00-00	GEAR, 4TH WHEEL	1	
21	4X7-17211-00-00	GEAR, 1ST WHEEL	1	
22	(42X-17582-00-00)	GEAR, MIDDLE DRIVE	1	
23	93306-20421-00	BEARING	1	
24	93306-20550-00	BEARING (B6205DU8)	1	
25	(42X-17583-00-00)	GEAR, MIDDLE DRIVEN	1	
26	93316-01201-00	BEARING, CYLINDER.# 6	1	
27	93306-91201-00	BEARING	1	

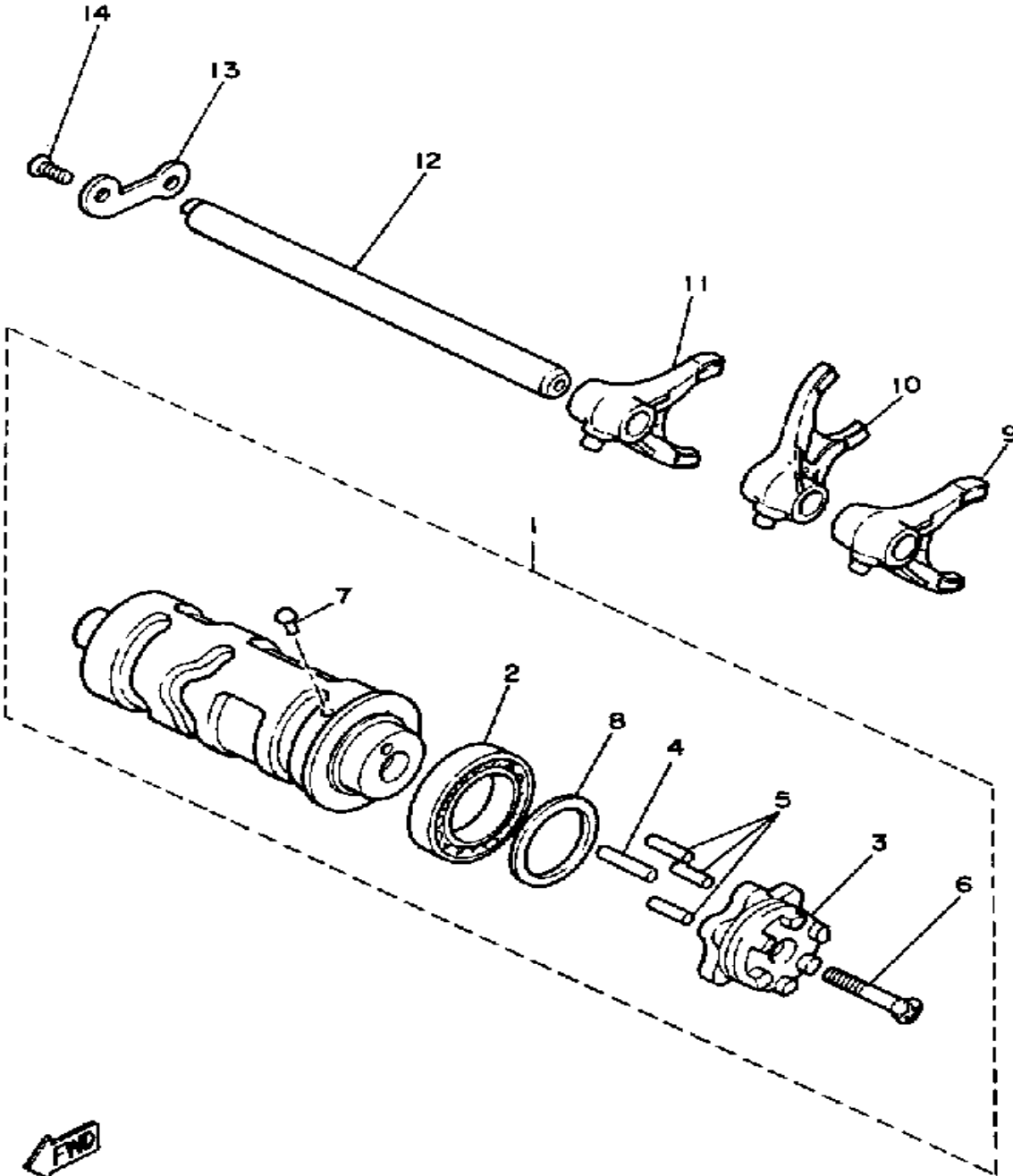
FWD
5E3171-1170

MIDDLE DRIVE GEAR



Ref. No.	Part Number	Description	Qty	Remarks
1	42X-W1751-00-00	MIDDLE GEAR	1	
2	93306-20901-00	BEARING (B6209RSH2-C2) ...	1	
3	90179-44328-00	NUT	1	
4	42X-17526-01-00	CAM, DRIVE	1	
5	31A-17527-00-00	CAM, DRIVEN	1	
6	90501-70762-00	SPRING, COMPRESSION	1	
7	(4X7-17524-00-00)	HOLDER	1	
8	3H5-17529-00-00	WASHER, THRUST	2	
9	4X7-17531-00-15	SHIM, PINION (0.15T)	1	U.R.
	4X7-17531-00-30	SHIM, PINION (0.30T)	1	U.R.
	4X7-17531-00-50	SHIM, PINION (0.50T)	1	U.R.
10	90179-88336-00	NUT, SPEC'L SHAPE	1	
11	93317-22021-00	BEARING, CYLINDER.# 7	1	
12	93311-34050-00	BEARING, CYLINDRICAL	1	
13	90201-255A6-00	WASHER, PLATE	3	
14	1J7-46129-Y1-00	SPACER, EXPANSION	1	
15	11H-17551-00-00	HOUSING, BEARING	1	
16	93210-71360-00	O-RING	1	
17	93306-20548-00	BEARING	1	
18	4X7-17554-00-00	RETAINER, BEARING	1	
19	93210-52449-00	O-RING	1	
20	93101-35099-00	OIL SEAL, S-TYPE	1	
21	(4X7-17558-00-00)	PLATE, BEARING	1	
22	4X7-17556-00-00	YOKE, JOINT	1	
23	93210-14359-00	O-RING	1	
24	90201-14633-00	WASHER, PLATE	1	
25	90179-14317-00	NUT, SPEC'L SHAPE	1	
26	90387-251E1-00	COLLAR	1	
27	95811-08030-00	BOLT, FLANGE	3	

SHIFT CAM-FORK

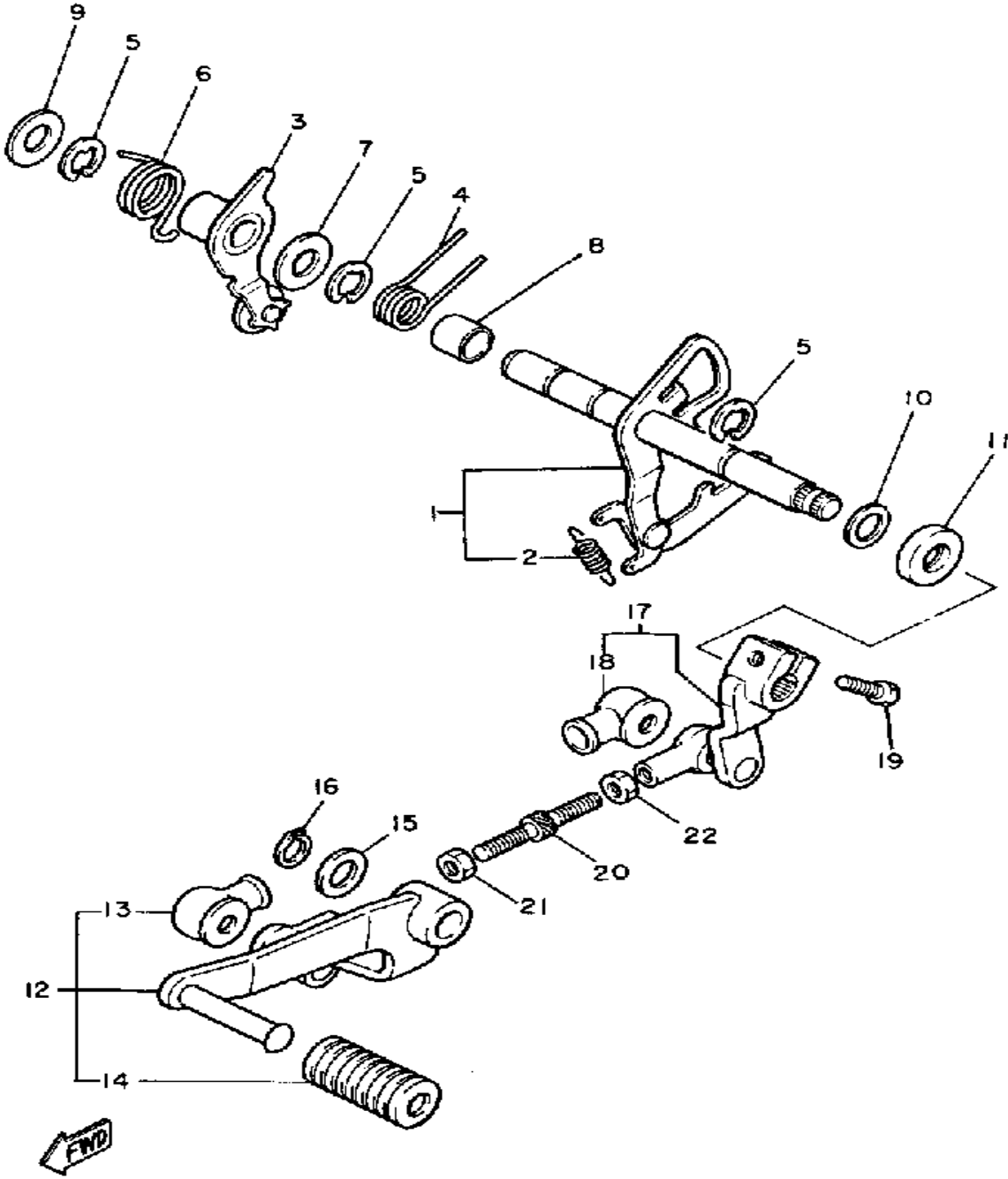


Ref. No.	Part Number	Description	Qty	Remarks
1	4X7-18540-01-00	SHIFT CAM ASSEMBLY	1	
2	93306-90602-00	. BEARING	1	
3	4G0-18185-01-00	. SEGMENT	1	
4	93604-20156-00	. PIN, DOWEL	1	
5	93604-16092-00	. PIN, DOWEL	3	
6	98701-05035-00	. SCREW, FLAT HEAD	1	
7	136-18542-00-00	. POINT, NEUTRAL	1	
8	90201-30297-00	. WASHER, PLATE	1	
9	4X7-18511-00-00	FORK, SHIFT 1	1	
10	4X7-18512-00-00	FORK, SHIFT 2	1	
11	4X7-18513-00-00	FORK, SHIFT 3	1	
12	4X7-18531-00-00	BAR, SHIF FRK GDE 1	1	
13	(4X7-18536-00-00)	STOPPER, SHIFT BAR	1	
14	98701-06014-00	SCREW, FLAT HEAD	2	



5E3171-1190

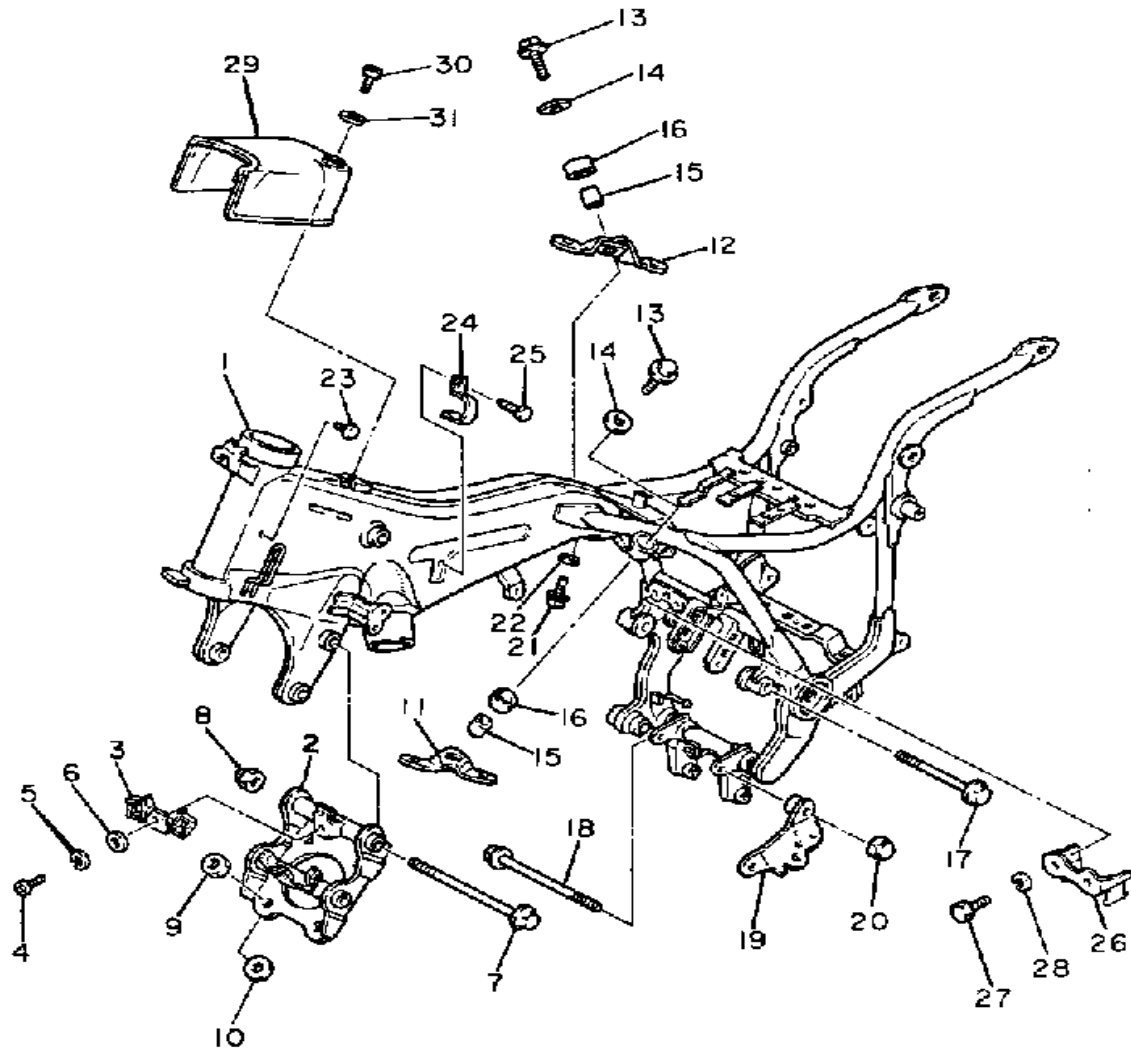
SHIFT SHAFT



42W110-4180

Ref. No.	Part Number	Description	Qty	Remarks
1	4X7-18120-01-00	SHIFT LEVER ASSEMBLY	1	
2	90506-08227-00	. SPRING, TENSION	1	
3	4X7-18140-00-00	STOPPER LEVER ASSEMBLY	1	
4	90508-32535-00	SPRING, TORSION	1	
5	99006-10600-00	CIRCLIP	3	
6	90508-29531-00	SPRING, TORSION	1	
7	90201-12588-00	WASHER, PLATE	1	
8	90387-124F4-00	COLLAR	1	
9	90201-12588-00	WASHER, PLATE	1	
10	90201-12166-00	WASHER, PLATE	1	
11	93102-12321-00	OIL SEAL, SD-TYPE	1	
12	42X-18110-01-00	SHIFT PEDAL ASSEMBLY	1	
13	2H9-18154-00-00	. COVER, DUST	1	
14	132-18113-01-00	. COVER, SHIFT PEDAL	1	
15	90201-124E4-00	WASHER, PLATE	1	
16	99009-12400-00	CIRCLIP	1	
17	42X-18112-01-00	ARM, SHIFT	1	
18	2H9-18154-00-00	. COVER, DUST	1	
19	97011-06020-00	BOLT	1	
20	42X-18115-00-00	ROD, SHIFT	1	
21	90170-06228-00	NUT (COUNTER CLOCKWISE)	1	
22	95380-06700-00	NUT	1	

FRAME

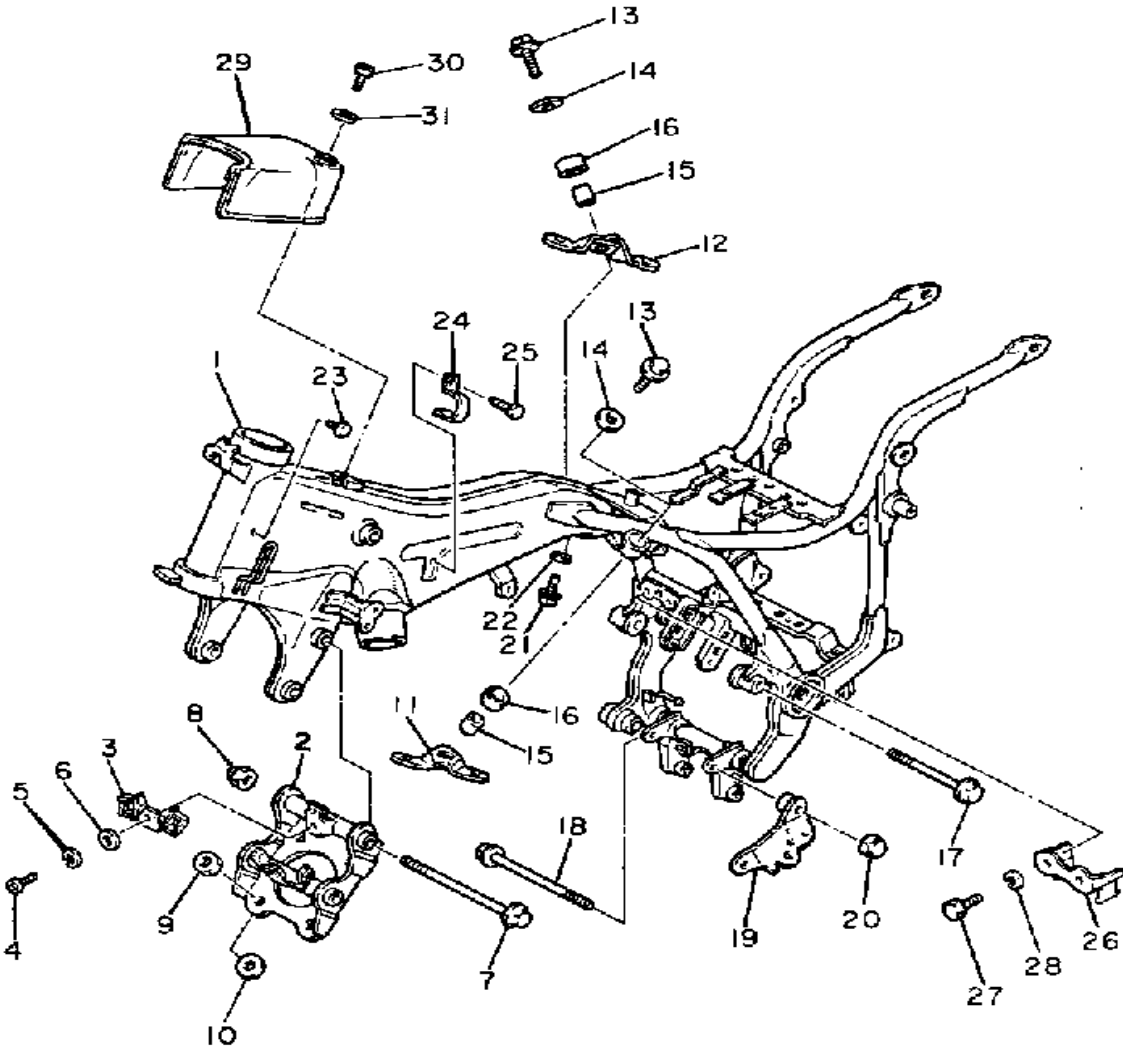


42W110-4190

Ref. No.	Part Number	Description	Qty	Remarks
1	3CF-21110-00-33	FRAME COMP.	1	YAMAHA BLK
2	42X-21317-00-00	STAY, ENGINE 3	1	
3	(42X-21359-00-00)	BRACKET, COIL	1	
4	98516-06012-00	SCREW, PAN HEAD	1	
5	92906-06100-00	WASHER, SPRING	1	
6	92906-06600-00	WASHER	1	
7	90105-10297-00	BOLT, WASHER BASED	2	
8	90176-10049-00	NUT, CROWN	2	
9	90179-12421-00	NUT, SPEC'L SHAPE	4	
10	90201-125A3-00	WASHER, PLATE	4	
11	42X-21315-00-00	STAY, ENGINE 2	1	
12	42X-21316-00-00	STAY, ENGINE 3	1	
13	90105-10298-00	BOLT, WASHER BASED	2	
14	90201-105H3-00	WASHER, PLATE	2	
15	90387-100E2-00	COLLAR	2	
16	4X7-21485-00-00	DAMPER, RUBBER 1	2	
17	90105-10050-00	BOLT, WASHER BASED	2	
18	90105-10300-00	BOLT, WASHER BASED	1	
19	42X-21458-01-00	BRACKET, SIDE STAND	1	
20	90176-10049-00	NUT, CROWN	2	
21	90105-06069-00	BOLT, WASHER BASED	1	
22	90202-05187-00	WASHER, PLATE	1	
23	90338-07043-00	PLUG, SPEC'L SHAPE	2	
24	90462-08138-00	CLAMP	2	
25	97706-50508-00	SCREW, TAPPING	2	
26	42X-2139A-00-00	BRKT.STARTR.SWITCHSWITCH	1	
27	97026-06012-00	BOLT	2	
28	92995-06100-00	WASHER, SPRING	2	
29	2AE-2139R-00-00	COVER 2 (42X-2139R-00-00) ..	1	

CONTINUED ON NEXT FRAME ►

FRAME



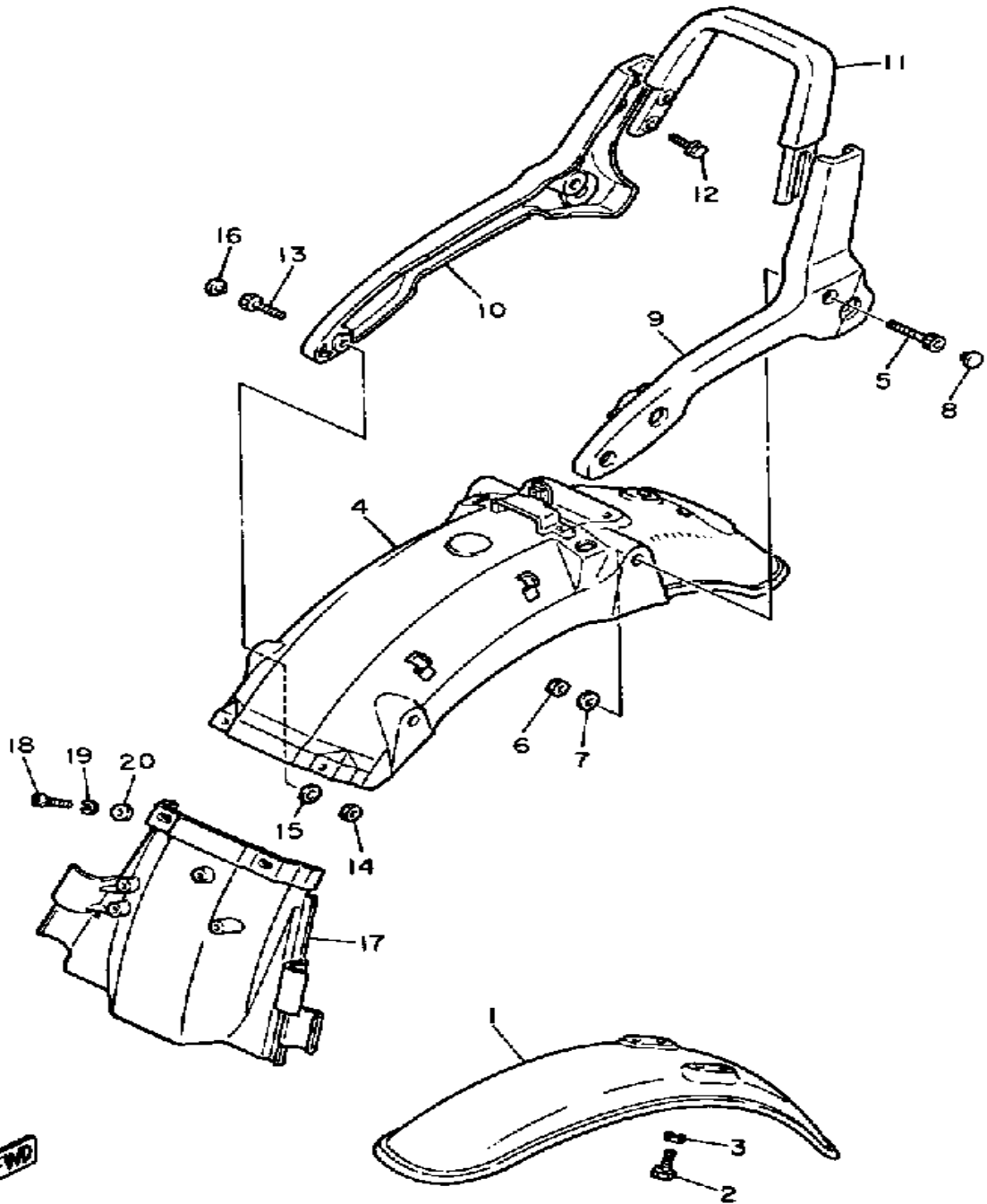
Ref. No.	Part Number	Description	Qty	Remarks
30	98906-06010-00	SCREW, BIND	1	
31	90201-062A8-00	WASHER, PLATE	1	



42W110-4190

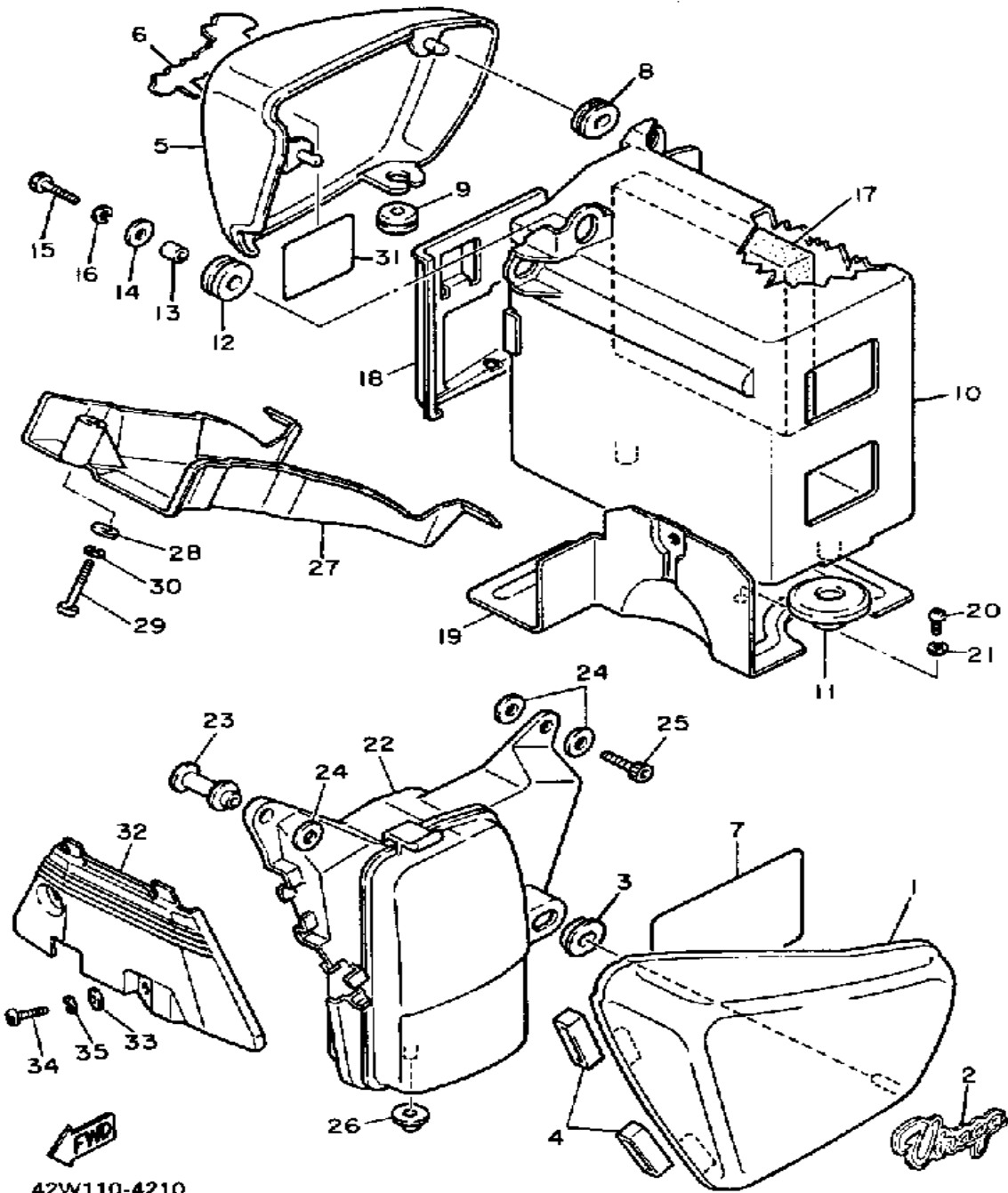
FENDER

Ref. No.	Part Number	Description	Qty	Remarks
1	42X-21510-00-93	FENDER, FRONT	1	CHROME-PLATED
2	97013-06012-00	BOLT	4	
3	92995-06100-00	WASHER, SPRING	4	
4	42X-21610-00-93	FENDER, REAR	1	CHROME-PLATED
5	91311-10040-00	BOLT	2	
6	95380-10600-00	NUT	2	
7	92990-10200-00	WASHER, PLAIN	2	
8	90338-10164-00	PLUG	2	
9	42X-2164F-00-00	STAY 1	1	
10	42X-2164G-00-00	STAY 2	1	
11	42X-2164A-01-93	GRIP 1	1	
12	95811-06016-00	BOLT, FLANGE (95822-06016)	4	
13	91311-08040-00	BOLT, SOCKET HEAD	2	
14	95333-08600-00	NUT	2	
15	92990-08200-00	WASHER, PLAIN	2	
16	90338-08163-00	PLUG	2	
17	42X-21629-00-00	GUARD, MUD	1	
18	98580-06012-00	SCREW, PAN HEAD	2	
19	92995-06100-00	WASHER, SPRING	2	
20	90201-06057-00	WASHER, PLATE	2	



42W110-4200

SIDE COVER

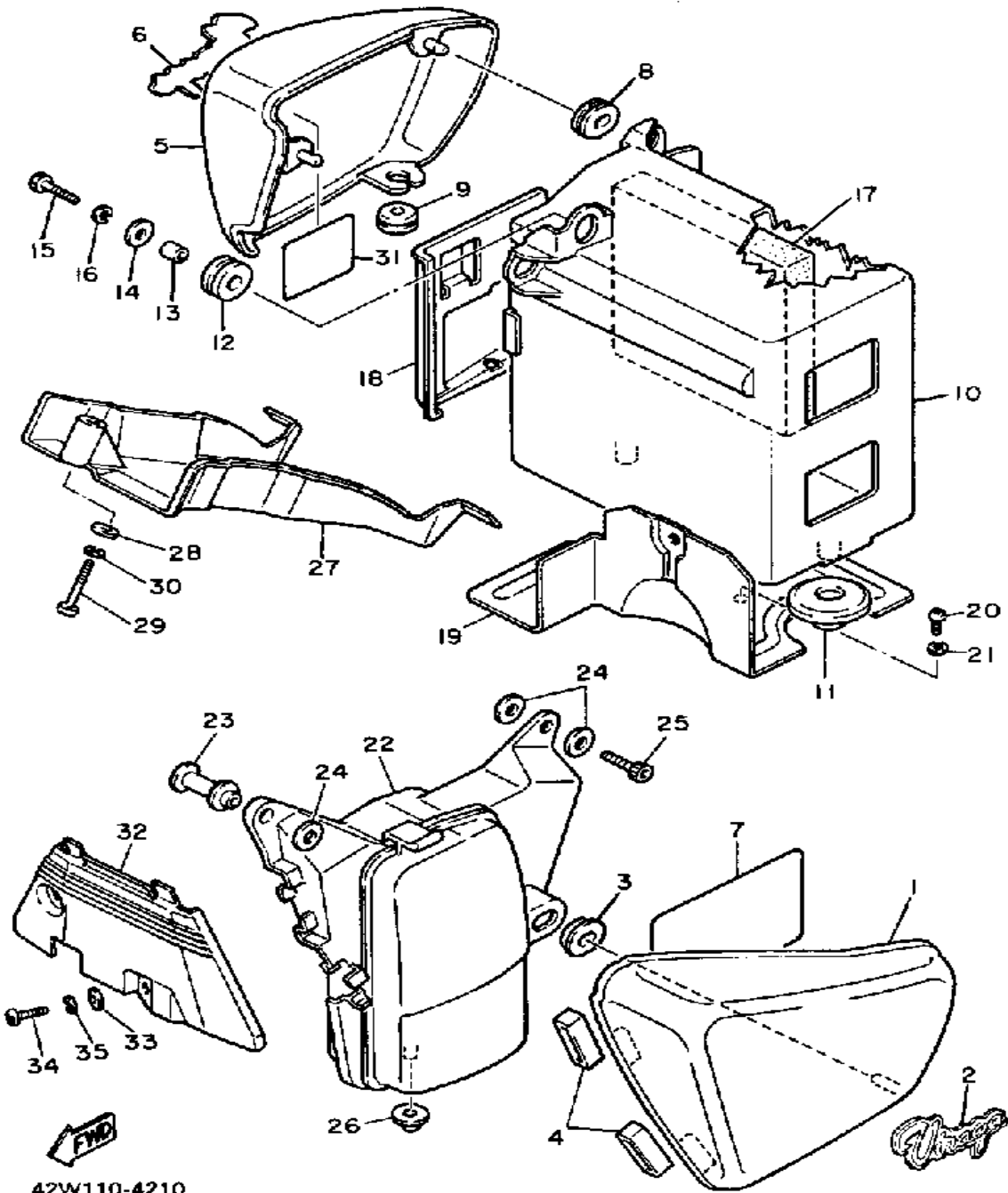


42W110-4210

Ref. No.	Part Number	Description	Qty	Remarks
1	42X-21711-00-1W	COVER, SIDE 1	1	U.R. ROMANESQUE CRIMSON
	42X-21711-00-KM	COVER, SIDE 1	1	
	42X-21711-00-KM	COVER, SIDE 1	1	U.R. NIGHT FALL BLUE
2	42X-21781-00-00	EMBLEM 1	1	U.R. FOR ROC
	56F-21781-00-00	EMBLEM 1	1	U.R. FOR NBB
3	90480-01401-00	GROMMET	1	
4	466-21717-00-00	DAMPER, SIDE COVER	2	
5	42X-21721-00-1W	COVER, SIDE 2	1	U.R. ROMANESQUE CRIMSON
	42X-21721-00-KM	COVER, SIDE 2	1	BLACK BLUE
	42X-21721-00-KM	COVER, SIDE 2	1	U.R. NIGHT FALL BLUE
6	42X-21782-00-00	EMBLEM 2	1	U.R. FOR ROC
	56F-21782-00-00	EMBLEM 2	1	U.R. FOR NBB
7	(57A-21683-50-00)	PLATE, CALIF.SPECS.	1	
	42W-21683-70-00	PLATE, SPEC	1	U.R.
	42X-21683-50-00	PLATE, SPEC	1	
	56Y-21683-70-00	PLATE, SPECS.	1	
8	90480-01401-00	GROMMET	2	
9	90480-12053-00	GROMMET	1	
10	42X-21171-00-00	BOX	1	
11	90480-20384-00	GROMMET	2	
12	90480-16233-00	GROMMET	1	
13	90387-060A7-00	COLLAR	1	
14	90201-06697-00	WASHER, PLATE	1	
15	97011-06020-00	BOLT	1	
16	92995-06100-00	WASHER, SPRING	1	
17	42X-21746-00-00	DAMPER	1	

CONTINUED ON NEXT FRAME ►

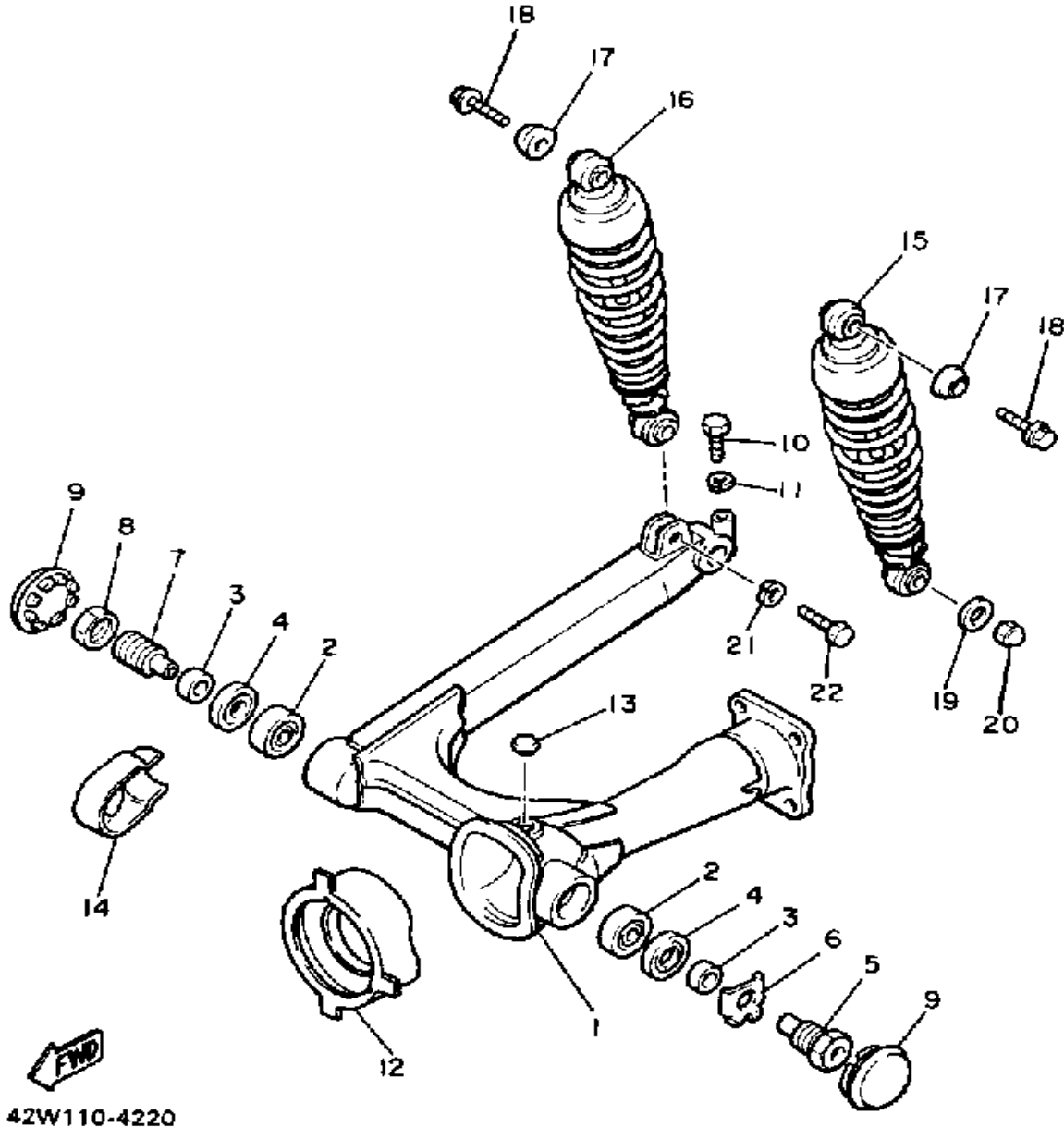
SIDE COVER



42W110-4210

Ref. No.	Part Number	Description	Qty	Remarks
18	42X-28185-00-00	LID	1	
19	42X-2172W-02-00	COVER	1	
20	98580-06008-00	SCREW, PAN HEAD	2	
21	92995-06100-00	WASHER, SPRING	2	
22	42X-2177A-00-00	BOX	1	
23	90560-06258-00	SPACER	1	
24	90201-062G3-00	WASHER, PLATE	3	
25	91316-06012-00	BOLT, SOCKET HEAD	1	
26	90480-10408-00	GROMMET	1	
27	42X-2176E-00-00	PLATE	1	
28	90201-062G3-00	WASHER, PLATE	1	
29	98580-06030-00	SCREW PAN HEAD	1	
30	92995-06100-00	WASHER, SPRING	1	
31	20K-21686-00-00	PLATE, ROUTING 2	1	
32	42X-2117F-00-00	COVER	1	
33	90201-06059-00	WASHER, PLATE	2	
34	98506-06016-00	SCREW, PANHEAD	2	
35	92906-06100-00	WASHER, SPRING	2	

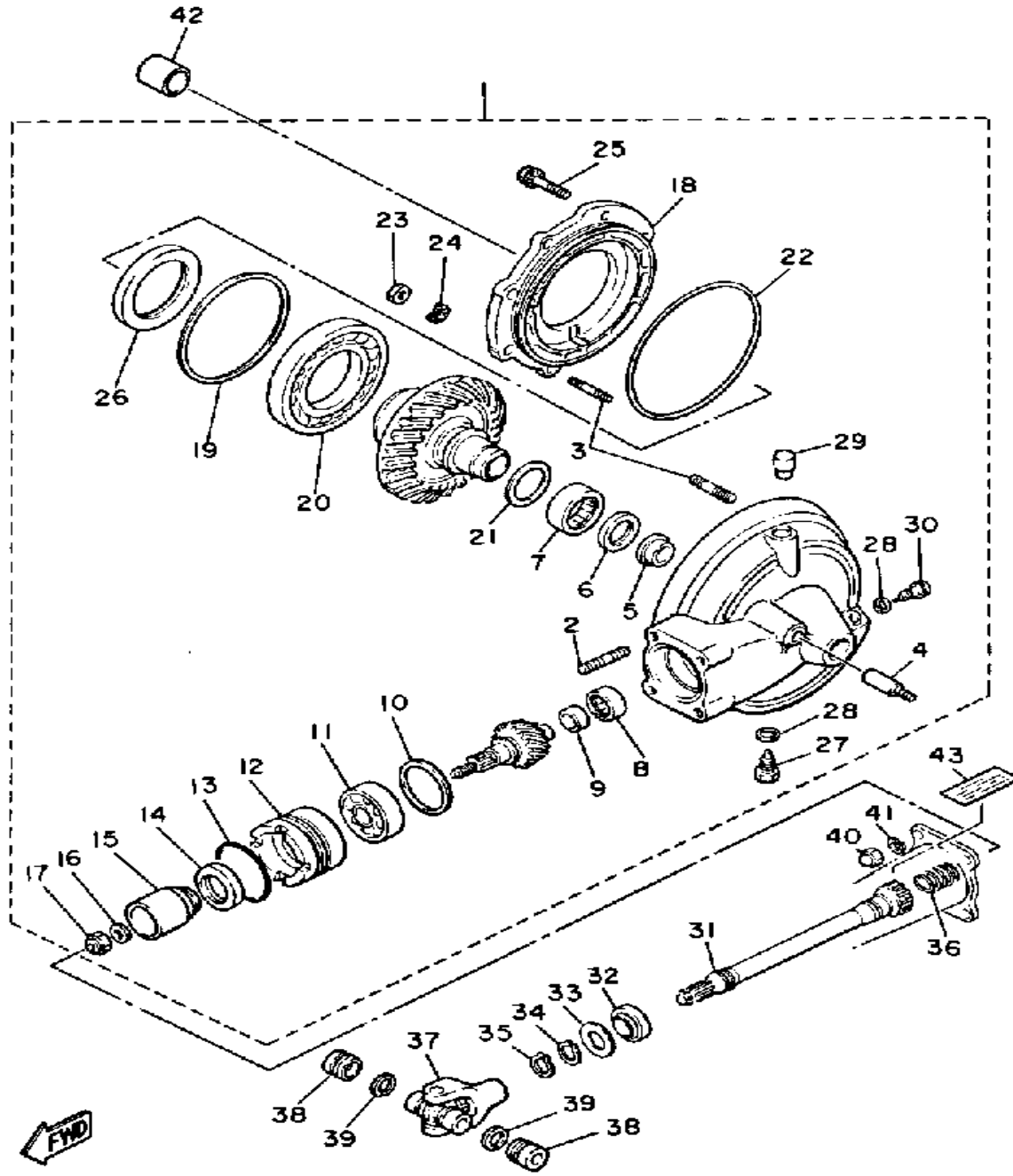
SWING ARM-REAR SHOCKS



Ref. No.	Part Number	Description	Qty	Remarks
1	1RM-22110-00-35	REAR ARM COMP.	1	SILVER
2	93332-00010-00	BEARING	2	
3	90387-17543-00	COLLAR	2	
4	93102-25017-00	OIL SEAL	2	
5	42X-22141-00-00	SHAFT, PIVOT	1	
6	90215-22238-00	WASHER, LOCK	1	
7	1J7-22141-00-00	SHAFT, PIVOT	1	
8	1J7-22143-00-00	NUT	1	
9	2H7-2219X-00-00	COVER	2	
10	95023-08035-00	BOLT, FLANGE	1	
	97313-08035-00	BOLT, HEXAGON	1	
11	92990-08100-00	WASHER	1	
12	4X7-22189-01-00	BOOT, RUBBER	1	
13	90338-20113-00	PLUG	1	
14	(42X-2213A-00-00)	PROTECTOR	1	
15	42X-22210-12-00	SHOCK ABSORBER ASSEMBLY, REAR	1	
16	42X-22220-12-00	SHOCK ABSORBER ASSEMBLY, REAR	1	
17	42X-22243-00-00	WASHER 1	2	
	57A-22243-01-00	WASHER 1	2	
18	91311-08020-00	BOLT, SOCKET HEAD	2	
	95023-08020-00	BOLT	2	
19	90201-10437-00	WASHER, PLATE	1	
20	90176-10013-00	NUT, CROWN	1	
21	92990-10100-00	WASHER, SPRING	1	
22	90106-10030-00	BOLT, DOME HEAD	1	

42W110-4220

DRIVE SHAFT

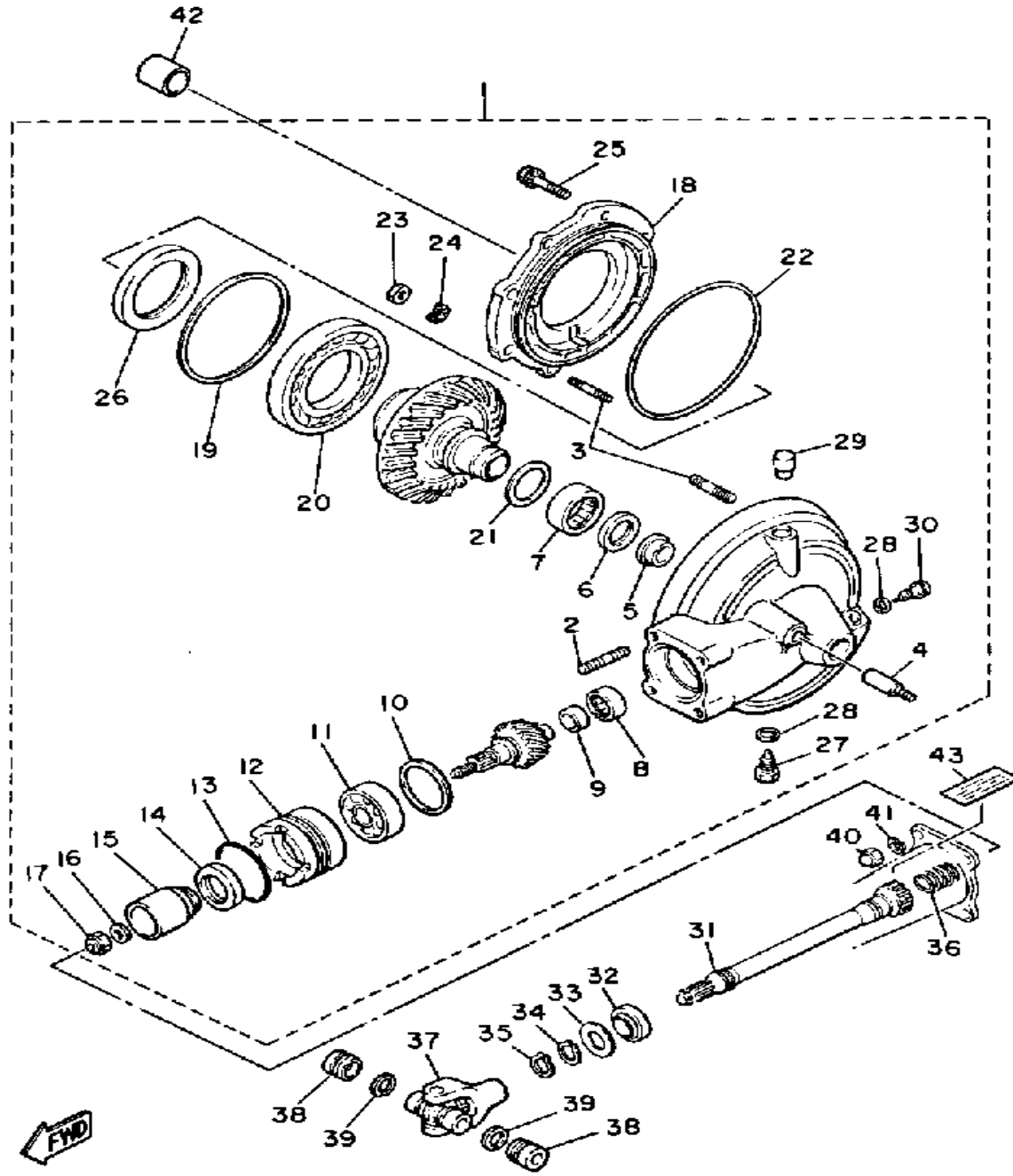


42W110-4230

Ref. No.	Part Number	Description	Qty	Remarks
1	5G2-46101-01-00	REAR AXLE GEAR CASE ASSEMBLY	1	CASE ASSY L/LC
	5G2-46101-01-00	REAR AXLE GEAR CASE ASSEMBLY	1	N/NC
2	90116-10361-00	. BOLT, STUD	4	
3	90116-08360-00	. BOLT, STUD	6	
4	90116-10249-00	. BOLT, STUD	1	
5	4H7-46153-00-00	. COLLAR, GUIDE	1	
6	93101-30084-00	. OIL SEAL	1	
7	93311-43729-00	. BEARING	1	
8	93317-41510-00	. BEARING	1	
9	2H7-46122-00-00	. RACE, INNER	1	
10	1J7-17537-Y0-30	. SHIM, THRUST (0.30T)	1	U.R.
	1J7-17537-Y0-40	. SHIM, THRUST (0.40T)	1	U.R.
	1J7-17537-Y0-50	. SHIM, THRUST (0.50T)	1	U.R.
11	93306-30533-00	. BEARING (B6305RB1 SPECIAL)	1	
12	4H7-46125-00-00	. RETAINER, BEARING	1	
13	93210-60426-00	. O-RING	1	
14	93101-38098-00	. OIL SEAL	1	
15	4H7-46123-00-00	. COUPLING, GEAR	1	
16	90201-14632-00	. WASHER, PLATE	1	
17	90185-14070-00	. NUT, SELF-LOCKING	1	
18	4H7-46152-00-00	. HOUSING, BEARING	1	
19	1J7-46117-Y0-30	. SHIM, RING GEAR (0.30T)	1	U.R.
	1J7-46117-Y0-35	. SHIM, RING GEAR	1	U.R.
	1J7-46117-Y0-40	. SHIM, RING GEAR (0.40T)	1	U.R.
	1J7-46117-Y0-50	. SHIM, RING GEAR (0.50T)	1	U.R.
20	93316-01403-00	. BEARING	1	
21	1J7-46118-Y0-18	. WASHER, THRUST	1	U.R.

CONTINUED ON NEXT FRAME ►

DRIVE SHAFT

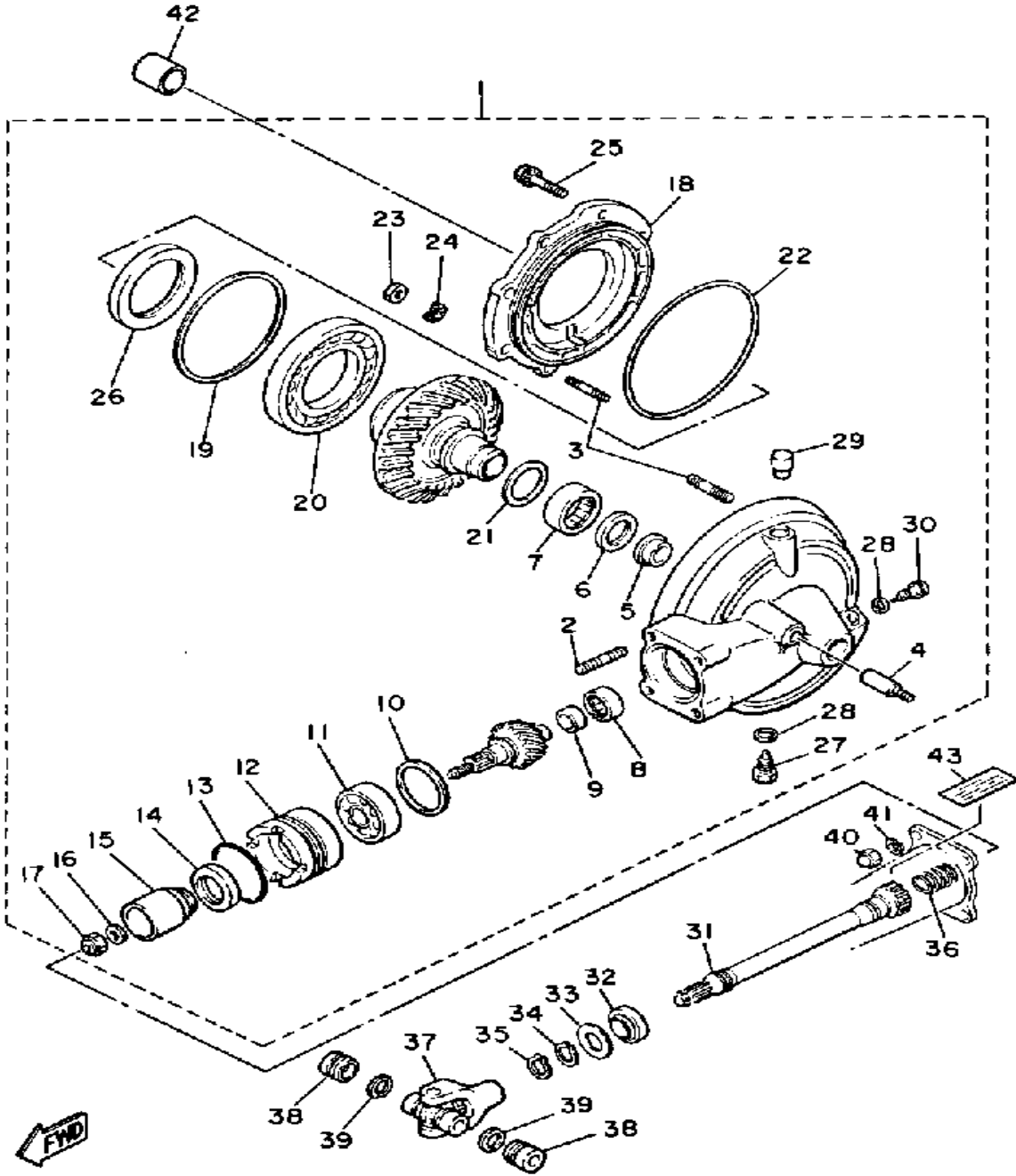


42W110-4230

Ref. No.	Part Number	Description	Qty	Remarks
21	1J7-46118-Y0-19	. WASHER, THRUST	1	U.R.
	1J7-46118-Y0-20	. WASHER, THRUST	1	U.R.
	1J7-46118-Y0-21	. WASHER, THRUST	1	U.R.
	4H7-46118-00-14	. WASHER, THRUST	1	U.R.
	4H7-46118-00-15	. WASHER, THRUST	1	U.R.
	4H7-46118-00-16	. WASHER, THRUST	1	U.R.
	4H7-46118-00-17	. WASHER, THRUST	1	U.R.
	4H7-46118-00-22	. WASHER, THRUST	1	U.R.
	4H7-46118-00-23	. WASHER, THRUST	1	U.R.
22	93211-44348-00	. O-RING	1	
23	95333-08600-00	. NUT	6	
24	92901-08700-00	. WASHER, WAVE	6	
25	95811-10025-00	. BOLT, FLANGE	2	
26	93102-70167-00	. OIL SEAL	1	
27	3VD-13455-00-00	. PLUG	1	
28	214-11198-01-00	. GASKET	2	
29	2H7-17590-00-00	. BREATHER COMP.	1	
30	90340-14118-00	. PLUG, STRAIGHT	1	
31	4X7-46172-00-00	SHAFT, DRIVE	1	
32	93108-23007-00	OIL SEAL	1	
33	90201-231A2-00	WASHER, PLATE	1	
34	93410-23056-00	CIRCLIP	1	
35	93410-22039-00	CIRCLIP	1	
36	90501-16491-00	SPRING, COMPRESSION	1	
37	4X7-46180-00-00	CROSS JOINT COMP.	1	
38	93399-99926-00	BEARING	2	
39	93440-20088-00	CIRCLIP	2	
40	90176-10049-00	NUT, CROWN	4	
41	92990-10100-00	WASHER, SPRING	4	

CONTINUED ON NEXT FRAME ►

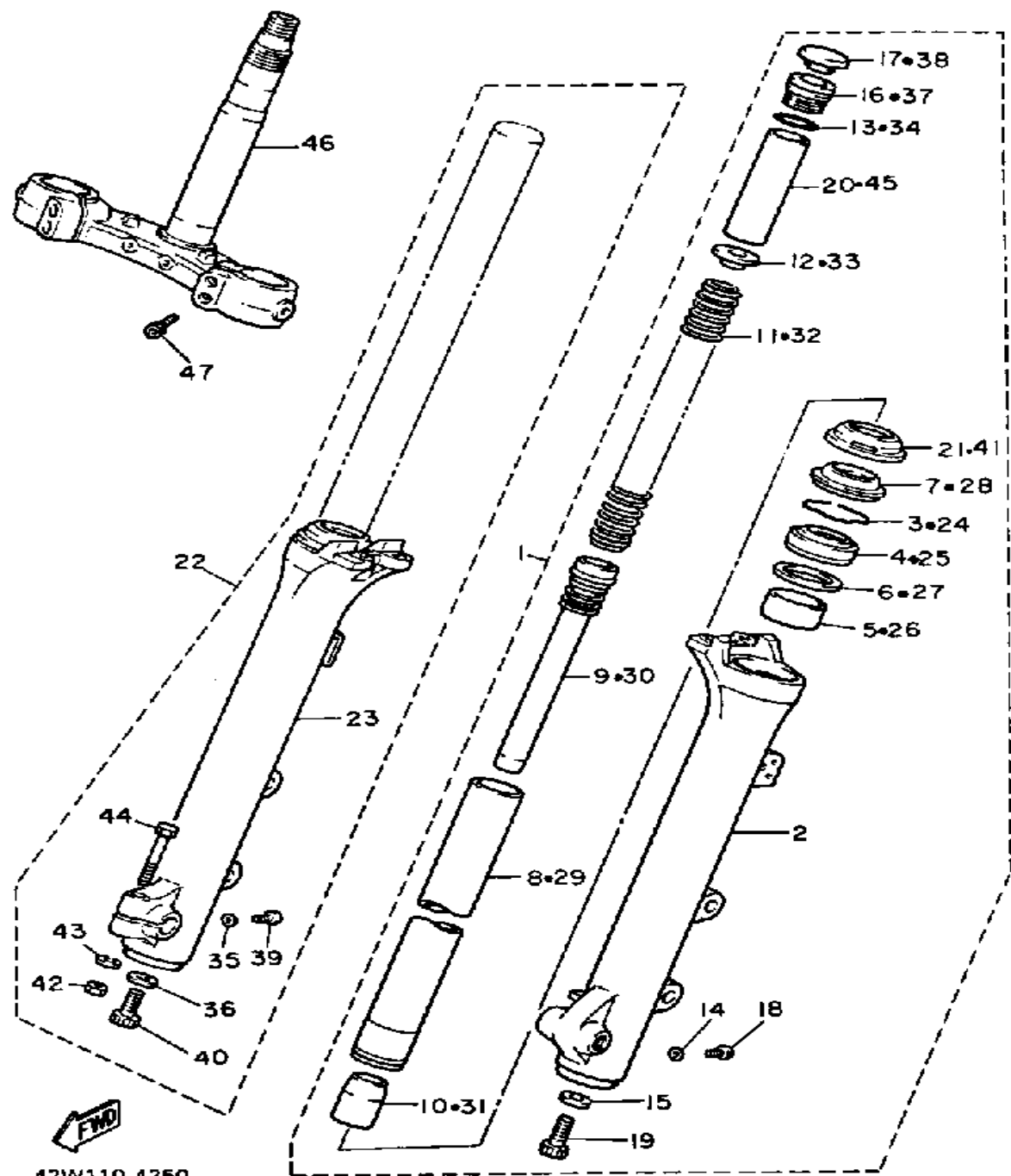
DRIVE SHAFT



42W110-4230

Ref. No.	Part Number	Description	Qty	Remarks
42	90387-172A5-00	COLLAR	1	
43	4H7-46181-10-00	LABEL, OIL CAUTION	1	

FRONT FORK

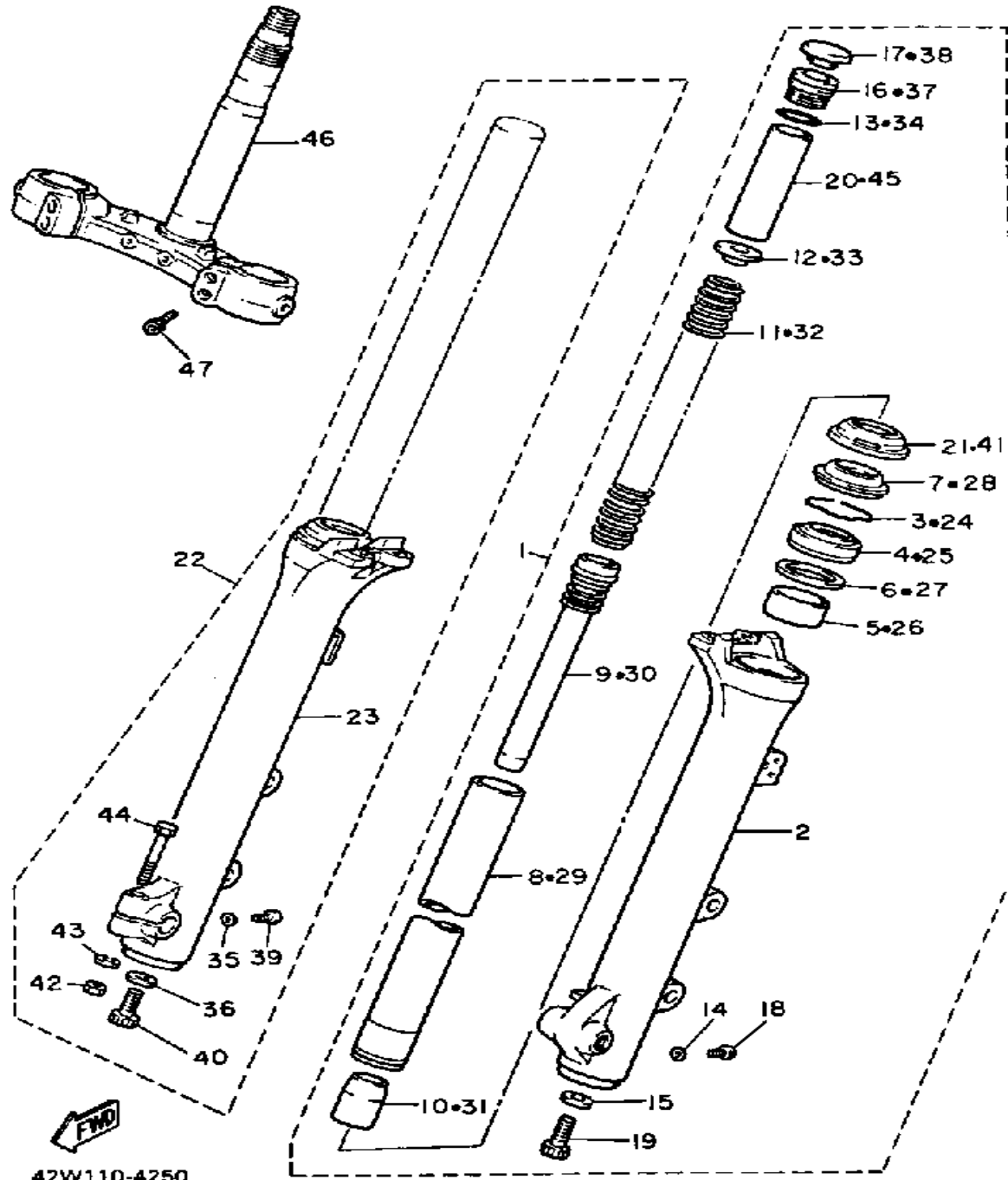


42W110-4250

Ref. No.	Part Number	Description	Qty	Remarks
1	42X-23102-00-00	FRONT FORK ASSEMBLY L (L.H)	1	L/LC
	42X-23102-01-00	FRONT FORK ASSEMBLY L	1	
2	42H-23126-01-00	. TUBE, OUTER 1	1	L/LC
	42H-23126-01-00	. TUBE, OUTER 1	1	N/NC
3	3R4-23153-00-00	. RING, SNAP	1	
4	3EN-23145-00-00	. OIL SEAL	1	
5	2YK-23125-00-00	. METAL, SLIDE 1	1	
6	4V2-23146-L0-00	. WASHER, OIL SEAL	1	
7	42X-23144-01-00	. SEAL, DUST	1	
8	1RM-23110-00-00	. INNER TUBE COMP. 1	1	
9	33M-23170-00-00	. CYLINDER COMP., FRONT FORK	1	
10	1W1-23173-L0-00	. SPINDLE, TAPER	1	
11	42H-23141-00-00	. SPRING, FRONT FORK	1	
12	1W1-23142-L0-00	. SEAT, SPRING UPPER	1	
13	1W1-23114-L0-00	. GASKET	1	
14	122-23129-00-00	. GASKET, DRAIN PLUG	1	
15	509-23158-L0-00	. GASKET	1	
16	31A-23111-31-00	. BOLT, CAP	1	
17	42H-23168-00-00	. CAP, FRONT FORK	1	
18	4H7-23119-00-00	. PLUG, DRAIN - (122-23119-01)	1	
19	278-23181-50-00	. BOLT, HEXAGON SOCKET HEAD	1	
20	(42X-23118-00-00)	SPACER	1	
21	42X-23144-01-00	. SEAL, DUST	1	
22	(42X-23103-01-00)	FRONT FORK ASSEMBLY R	1	
	(42X-23103-01-00)	FRONT FORK ASSEMBLY R	1	N/NC
23	42H-23136-01-00	. TUBE, OUTER 2	1	L/LC
	42H-23136-01-00	. TUBE, OUTER 2	1	N/NC

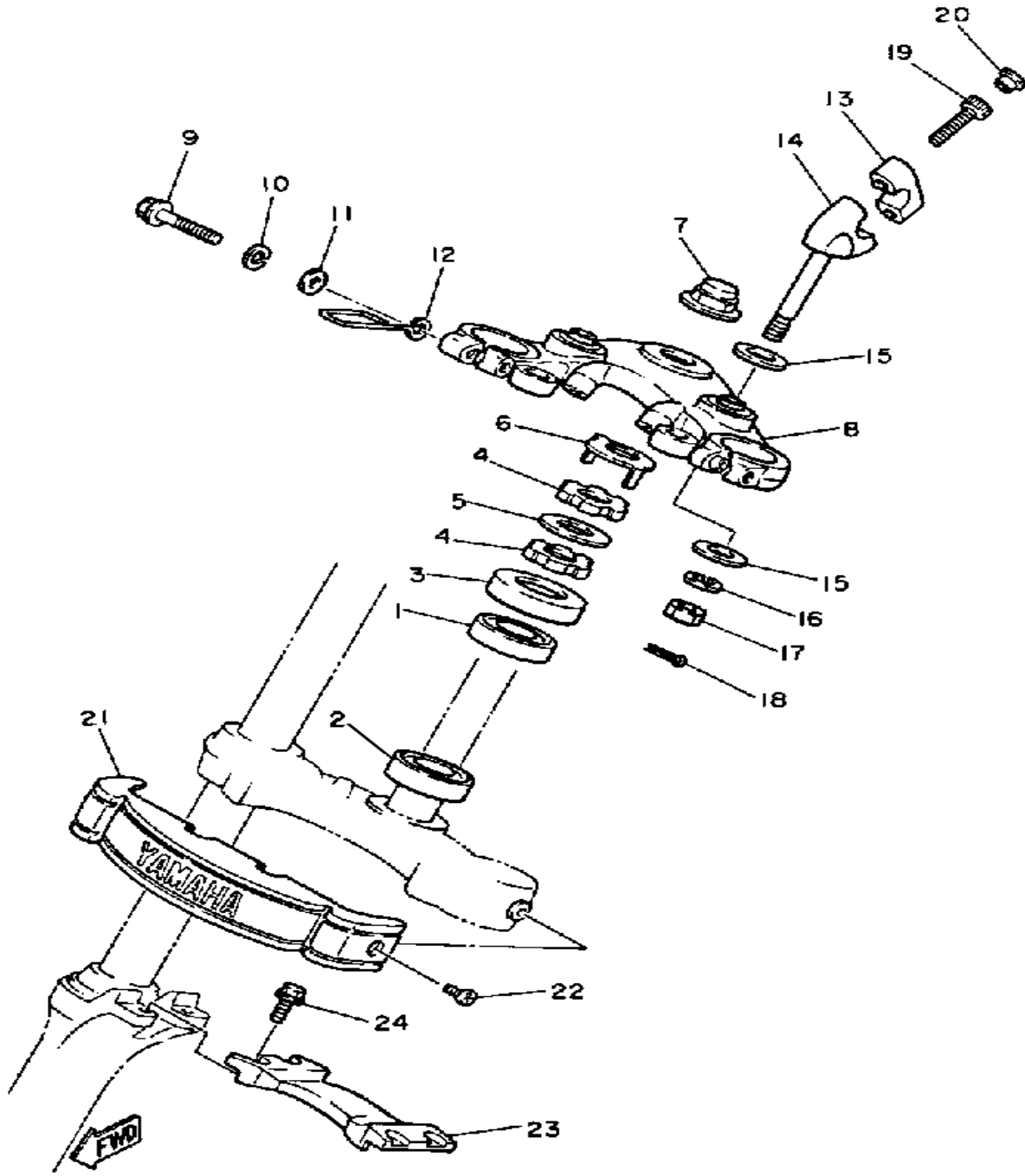
CONTINUED ON NEXT FRAME ►

FRONT FORK



Ref. No.	Part Number	Description	Qty	Remarks
24	3R4-23153-00-00	. RING, SNAP	1	
25	3EN-23145-00-00	. OIL SEAL	1	
26	2YK-23125-00-00	. METAL, SLIDE 1	1	
27	4V2-23146-L0-00	. WASHER, OIL SEAL	1	
28	42X-23144-01-00	. SEAL, DUST	1	
29	1RM-23110-00-00	. INNER TUBE COMP. 1	1	
30	33M-23170-00-00	. CYLINDER COMP., FRONT FORK	1	
31	1W1-23173-L0-00	. SPINDLE, TAPER	1	
32	42H-23141-00-00	. SPRING, FRONT FORK	1	
33	1W1-23142-L0-00	. SEAT, SPRING UPPER	1	
34	1W1-23114-L0-00	. GASKET	1	
35	122-23129-00-00	. GASKET, DRAIN PLUG	1	
36	509-23158-L0-00	. GASKET	1	
37	31A-23111-31-00	. BOLT, CAP	1	
38	42H-23168-00-00	. CAP, FRONT FORK	1	
39	4H7-23119-00-00	. PLUG, DRAIN - (122-23119-01)	1	
40	278-23181-50-00	. BOLT, HEXAGON SOCKET HEAD	1	
41	42X-23144-01-00	. SEAL, DUST	1	
42	95333-08600-00	. NUT	1	
43	92990-08100-00	. WASHER	1	
44	90101-08340-00	. BOLT	1	
45	(42X-23118-00-00)	SPACER	1	
46	2AE-23340-30-00	UNDER BRACKET COMP.	1	SILVER
47	91311-08030-00	BOLT	4	

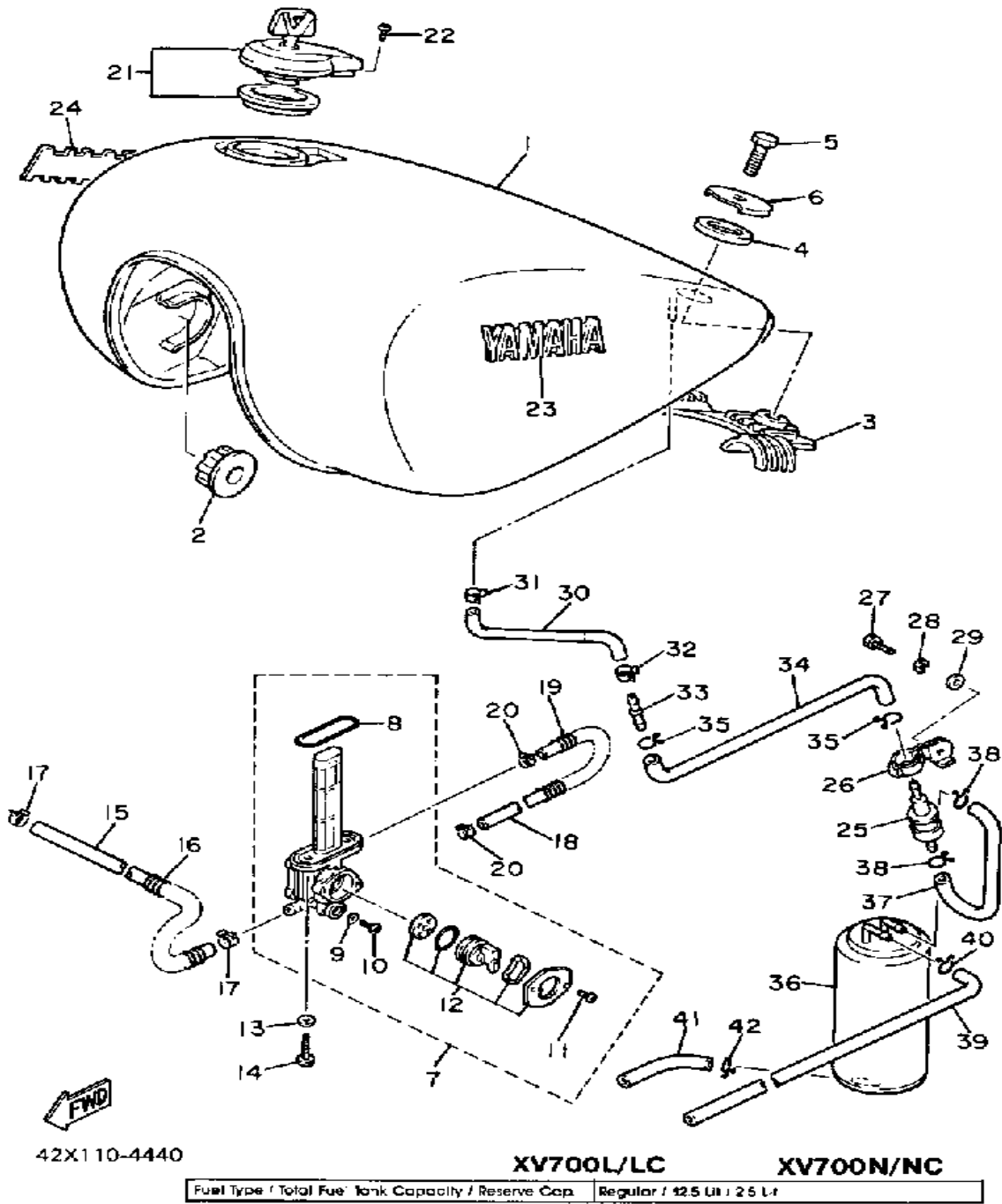
STEERING



42W110-4240

Ref. No.	Part Number	Description	Qty	Remarks
1	93332-00001-00	BEARING	1	
2	93332-00008-00	BEARING	1	
3	1J7-23415-00-00	COVER, BALL RACE 1	1	
4	90179-25033-00	NUT	2	
5	90202-26142-00	WASHER, PLATE	1	
6	26H-23418-01-00	WASHER, SPECIAL	1	
7	90176-22050-00	NUT, CROWN	1	
8	42X-W2341-01-38	CROWN, HANDLE	1	CLEAR BUFF
9	95023-08045-00	BOLT	2	
10	92990-08100-00	WASHER	2	
11	92901-08600-00	WASHER	2	
12	42X-23317-01-00	HOLDER, CABLE	2	
13	4H7-23441-00-38	HOLDER, HANDLE UPPER ...	2	CLEAR BUFF
14	42X-23442-00-38	HOLDER, HANDLE LOWER ...	2	CLEAR BUFF
15	90201-100A1-00	WASHER, PLATE	4	
16	92990-10100-00	WASHER, SPRING	2	
17	95303-10700-00	NUT	2	
18	90468-12006-00	CLIP	2	
19	91311-08030-00	BOLT	4	
20	90338-08163-00	PLUG	4	
21	42X-23122-00-00	COVER, OUTER 1	1	
22	98903-05010-00	SCREW, BIND	2	
23	42X-2313A-00-00	BRACE, FORK	1	
24	95023-08020-00	BOLT	4	

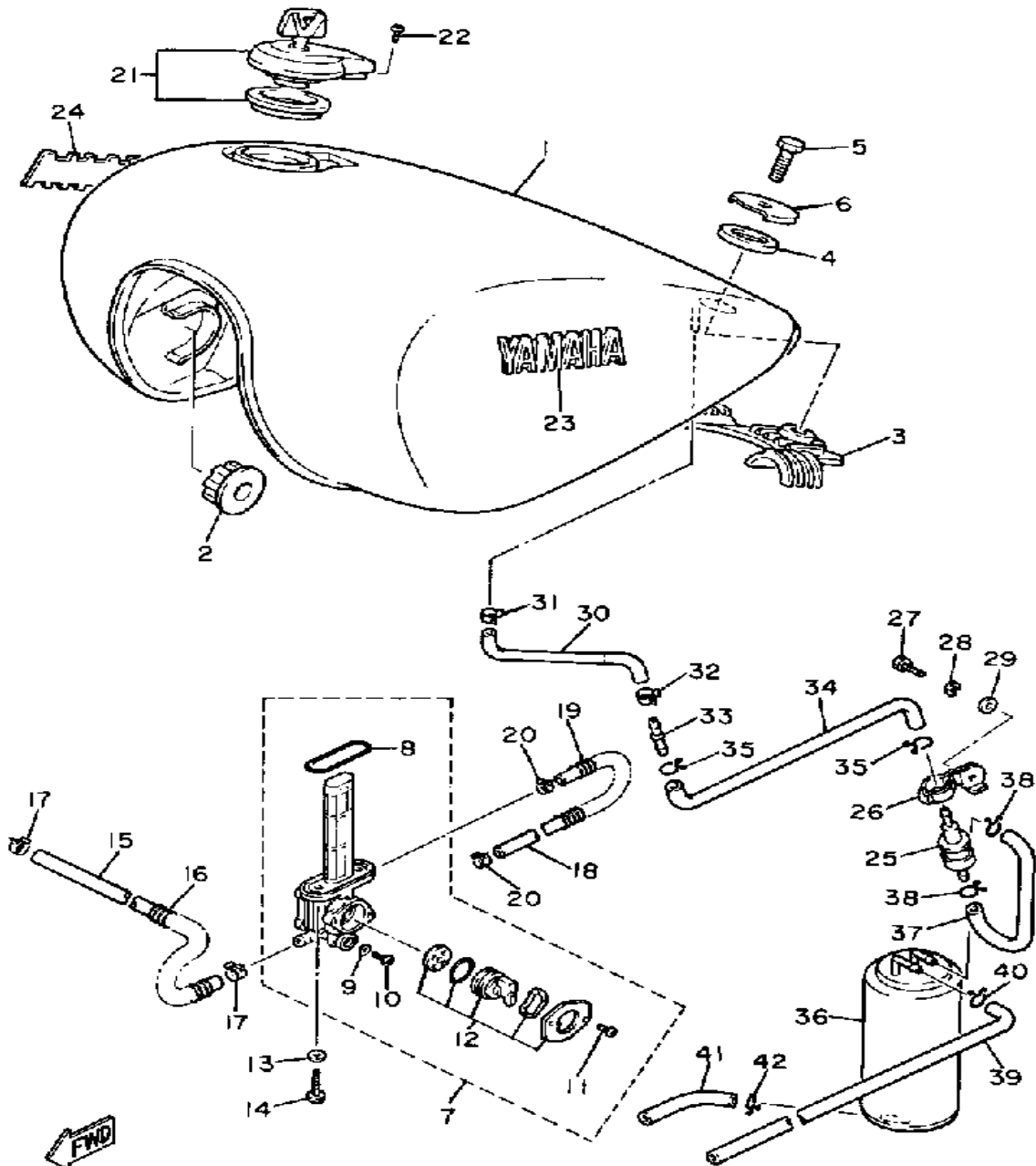
FUEL TANK



Ref. No.	Part Number	Description	Qty	Remarks
1	42X-24110-00-01	FUEL TANK COMP.	1	ROMANESQUE CRIMSONBRIGHT CHERRY RD
	42X-24110-00-03	FUEL TANK COMP.	1	BLK-BLUE BLUISH DRK SLVR
	42X-24110-00-1W	FUEL TANK	1	U.R. ROMANESQUE CRIMSON
	42X-24110-00-FM	FUEL TANK	1	U.R. NIGHT FALL BLUE
2	4H7-24181-00-00	DAMPER, LOCATING 1	2	
3	42X-24182-00-00	DAMPER, LOCATING 2	1	
4	42X-24183-00-00	DAMPER, LOCATING 3	1	
5	97313-08018-00	BOLT, HEXAGON (97301-08016)	1	
6	42X-24186-00-00	WASHER, SPECIAL	1	
7	10L-24500-00-00	FUEL COCK ASSEMBLY 1 ...	1	
8	2W6-24512-00-00	. O-RING	1	
9	2G2-24522-00-00	. GASKET	1	
10	98580-06008-00	. SCREW, PAN HEAD	1	
11	98580-03008-00	. SCREW, PAN HEAD	2	
12	10L-W0092-00-00	. FUEL COCK VLV SET	1	
13	90202-05187-00	WASHER, PLATE	2	
14	90149-06011-00	SCREW	2	
15	42X-24321-00-00	PIPE 0	1	
16	90501-08728-00	SPRING, COMPRESSION	1	
17	90467-10091-00	CLIP, SCISSOR	2	
18	42X-2416A-00-00	HOSE	1	
19	(90501-102A1-00)	SPRING, COMPRESSION	1	
20	90467-08092-00	CLIP	2	
21	4X7-24602-02-00	CAP ASSEMBLY	1	
22	4X7-24612-00-00	. GASKET, CAP	1	

CONTINUED ON NEXT FRAME ➤

FUEL TANK



42X110-4440

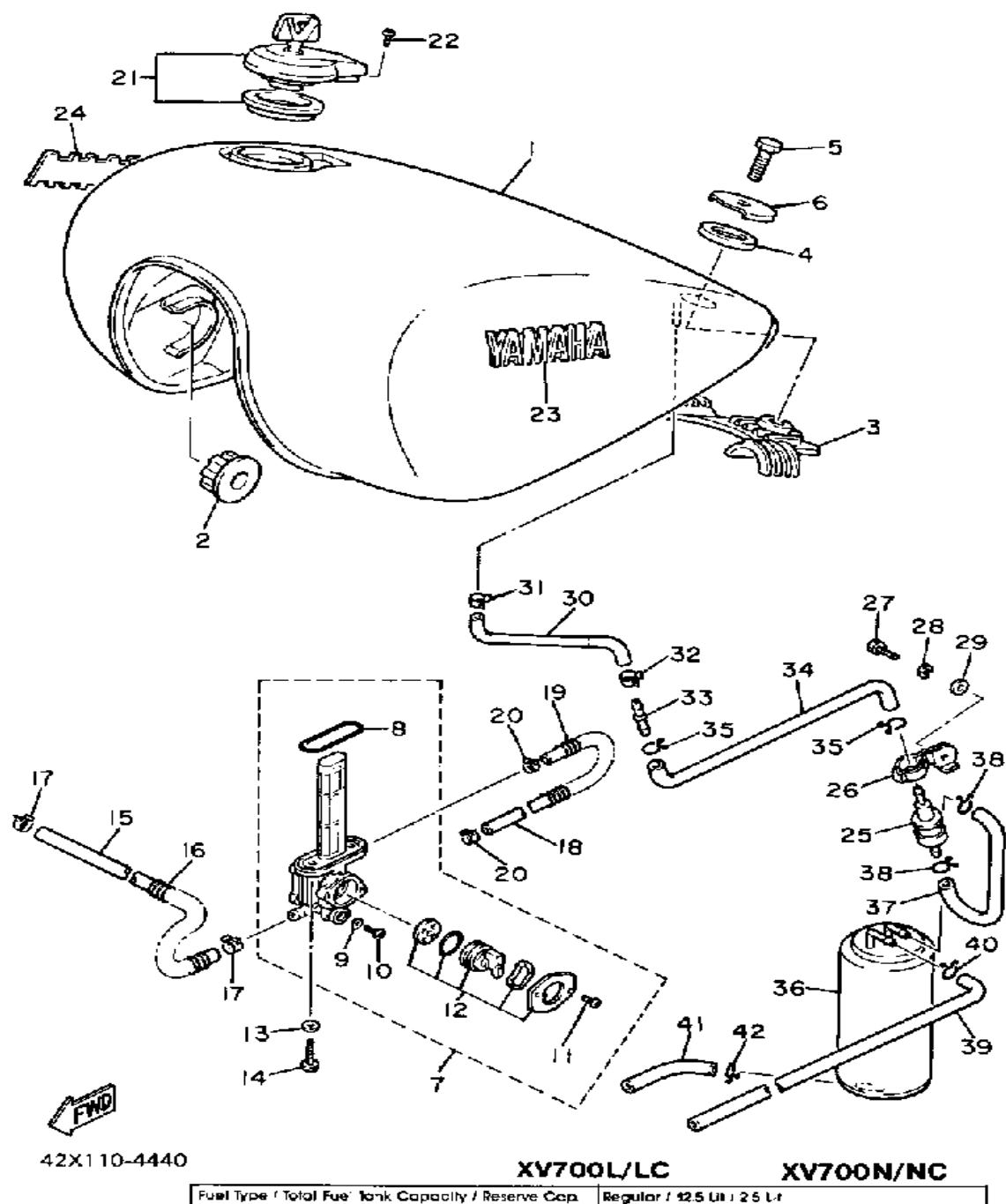
XV700L/LC

XV700N/NC

Fuel Type / Total Fuel Tank Capacity / Reserve Cap.	Regular / 25 Lit / 2.5 Ltr
---	----------------------------

Ref. No.	Part Number	Description	Qty	Remarks
23	98506-05010-00	SCREW, PAN HEAD	1	
24	42X-24161-00-00	EMBLEM 1 (LC)	1	
	56F-24161-00-00	EMBLEM 1	1	
	57A-24161-00-00	EMBLEM 1 (NC)	1	
25	42X-24162-00-00	EMBLEM 2 (LC)	1	
	56F-24162-00-00	EMBLEM 2	1	
	57A-24162-00-00	EMBLEM 2 (NC)	1	
1-1	42H-24240-00-00	. GRAPHIC SET (LC)	1	U.R. FOR ROC
	56F-24240-00-00	. GRAPHIC SET	1	U.R. FOR NBB

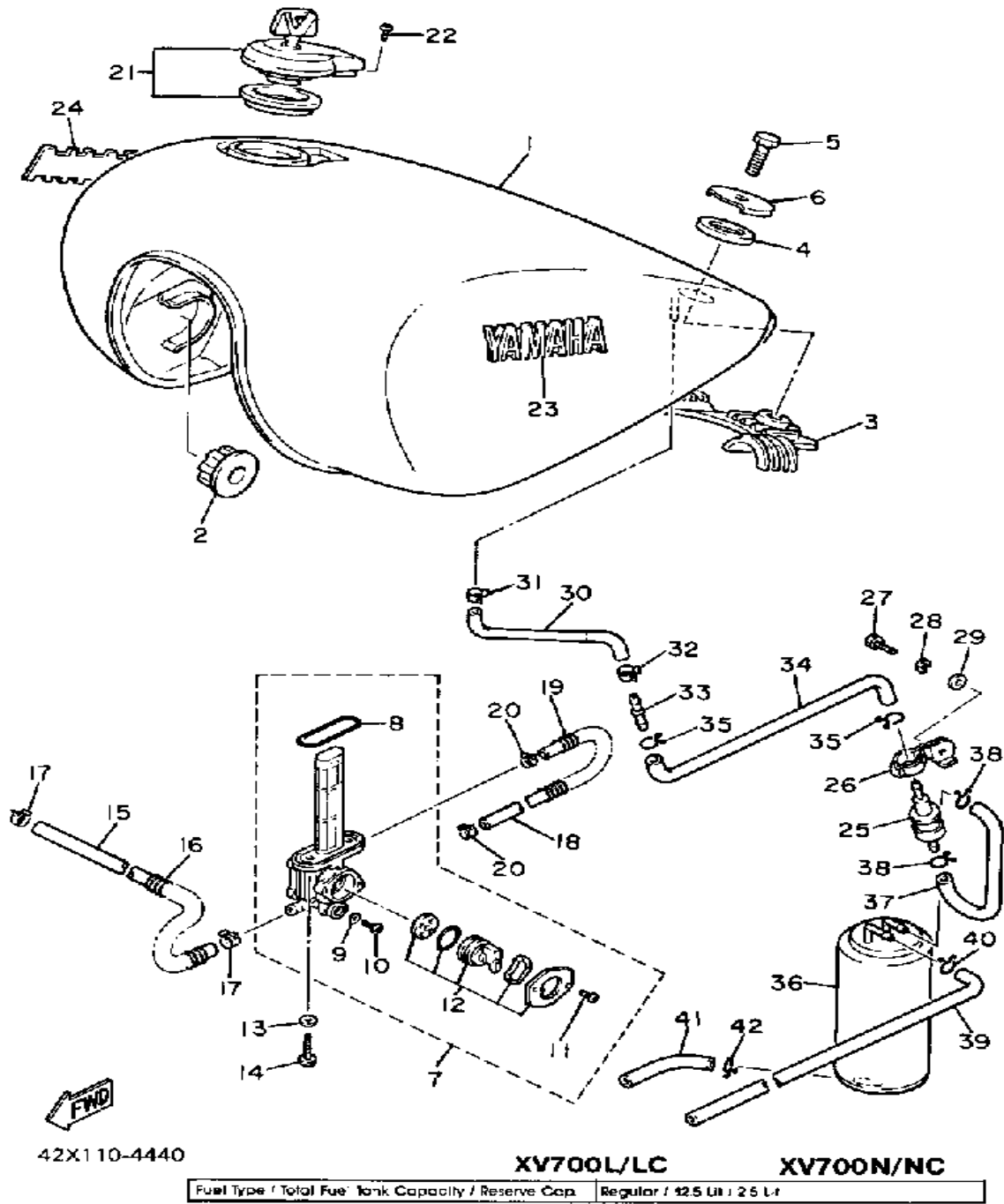
FUEL TANK



Ref. No.	Part Number	Description	Qty	Remarks
1	42X-24110-10-01	FUEL TANK (CALIF)	1	ROMANESQUE CRIMSONBRIGHT CHERRY RED
	42X-24110-10-02	FUEL TANK COMP.ROMANESQUE CRIMSON	1	U.R. FUEL TANK COMPBLACK BLUE/ BLUISH DRK SLVR
	42X-24110-10-1W	FUEL TANKROMANESQUE CRIMSON	1	U.R. FUEL TANK COMPBLACK BLUE/ BLUISH DRK SLVR
	42X-24110-10-FM	FUEL TANK	1	U.R. NIGHT FALL BLUE
2	4H7-24181-00-00	DAMPER, LOCATING 1	2	
3	42X-24182-00-00	DAMPER, LOCATING 2	1	
4	42X-24183-00-00	DAMPER, LOCATING 3	1	
5	97313-08018-00	BOLT, HEXAGON (97301-08016)	1	
6	42X-24186-00-00	WASHER, SPECIAL	1	
7	10L-24500-00-00	FUEL COCK ASSEMBLY 1	1	
8	2W6-24512-00-00	O-RING	1	
9	2G2-24522-00-00	GASKET	1	
10	98580-06008-00	SCREW, PAN HEAD	1	
11	98580-03008-00	SCREW, PAN HEAD	2	
12	10L-W0092-00-00	FUEL COCK VLV SET	1	
13	90202-05187-00	WASHER, PLATE	2	
14	90149-06011-00	SCREW	2	
15	42X-24321-00-00	PIPE 0	1	
16	90501-08728-00	SPRING, COMPRESSION	1	
17	90467-10091-00	CLIP, SCISSOR	2	
18	42X-2416A-00-00	HOSE	1	
19	(90501-102A1-00)	SPRING, COMPRESSION	1	

CONTINUED ON NEXT FRAME ➤

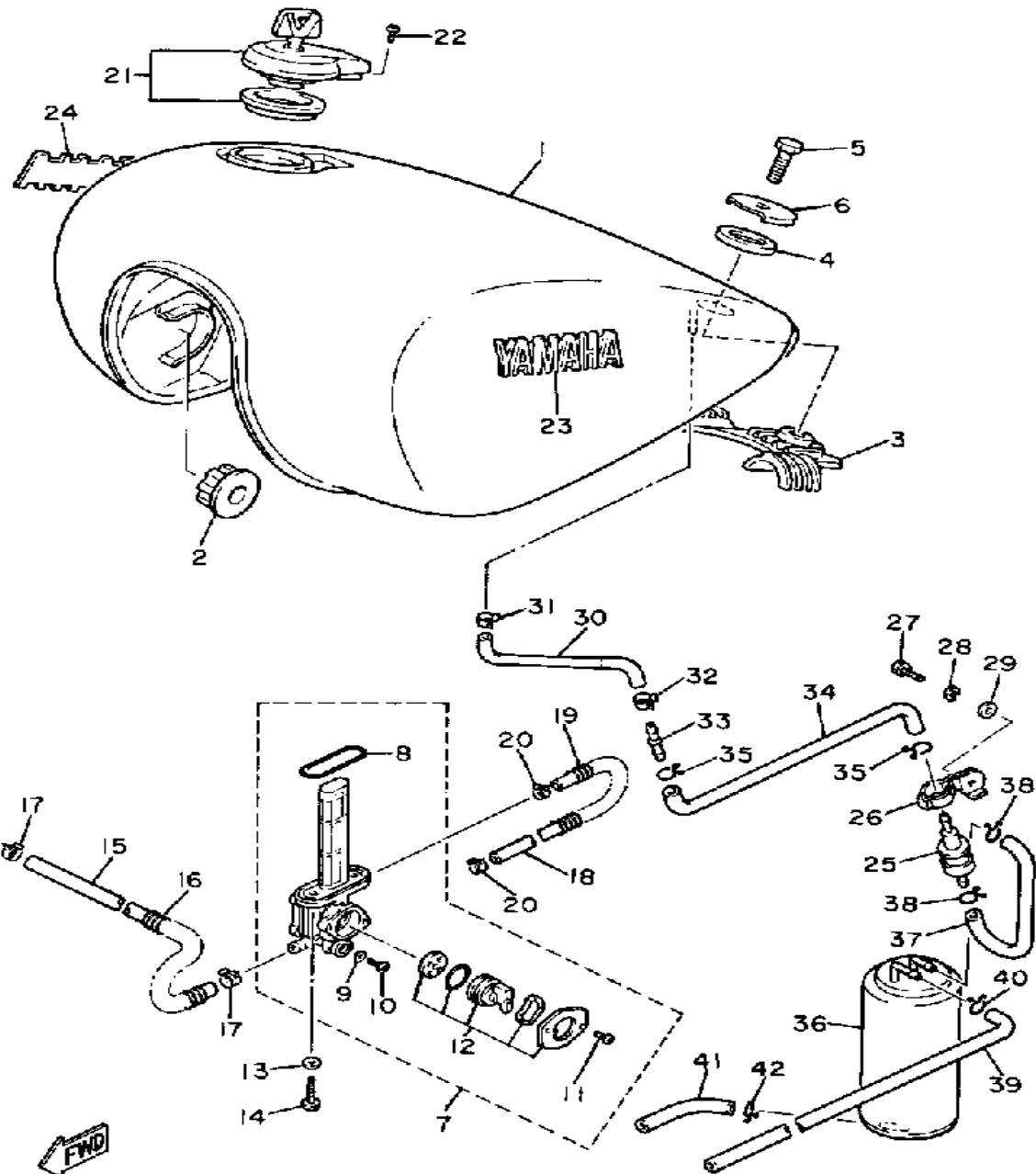
FUEL TANK



Ref. No.	Part Number	Description	Qty	Remarks
20	90467-08092-00	CLIP	2	
21	20K-24602-02-00	CAP ASSEMBLY	1	
22	98506-05010-00	SCREW, PAN HEAD	1	
23	42X-24161-00-00	EMBLEM 1 (LC)	1	
	56F-24161-00-00	EMBLEM 1	1	
	57A-24161-00-00	EMBLEM 1 (NC)	1	
24	42X-24162-00-00	EMBLEM 2 (LC)	1	
	56F-24162-00-00	EMBLEM 2	1	
	57A-24162-00-00	EMBLEM 2 (NC)	1	
25	25H-24180-00-00	ROLL OVER VALVE ASSEMBLY	1	
26	42X-2419A-00-00	HOLDER	1	
27	97026-06012-00	BOLT	1	
28	92906-06100-00	WASHER, SPRING	1	
29	92906-06600-00	WASHER	1	
30	(42X-24376-00-00)	PIPE, JOINT 1	1	
31	90467-08092-00	CLIP	1	
32	90467-09006-00	CLIP	1	
33	42H-24119-00-00	TUBE, CONNECTING	1	
34	42X-24377-00-00	PIPE, JOINT 3	1	
35	90467-09006-00	CLIP	2	
36	42H-24170-00-00	CANISTER ASSEMBLY	1	
37	(42H-24378-00-00)	PIPE, JOINT 4	1	
38	90467-09006-00	CLIP	2	
39	90445-105G5-00	HOSE	1	
40	90467-09006-00	CLIP	1	
41	90445-11587-00	HOSE	1	
42	90467-11102-00	CLIP, SCISSOR	1	
1-1	42H-24240-00-00	GRAPHIC SET (LC)	1	U.R. FOR ROC

CONTINUED ON NEXT FRAME ►

FUEL TANK



Ref. No.	Part Number	Description	Qty	Remarks
1-1	56F-24240-00-00	GRAPHIC SET	1	U.R. FOR BLB

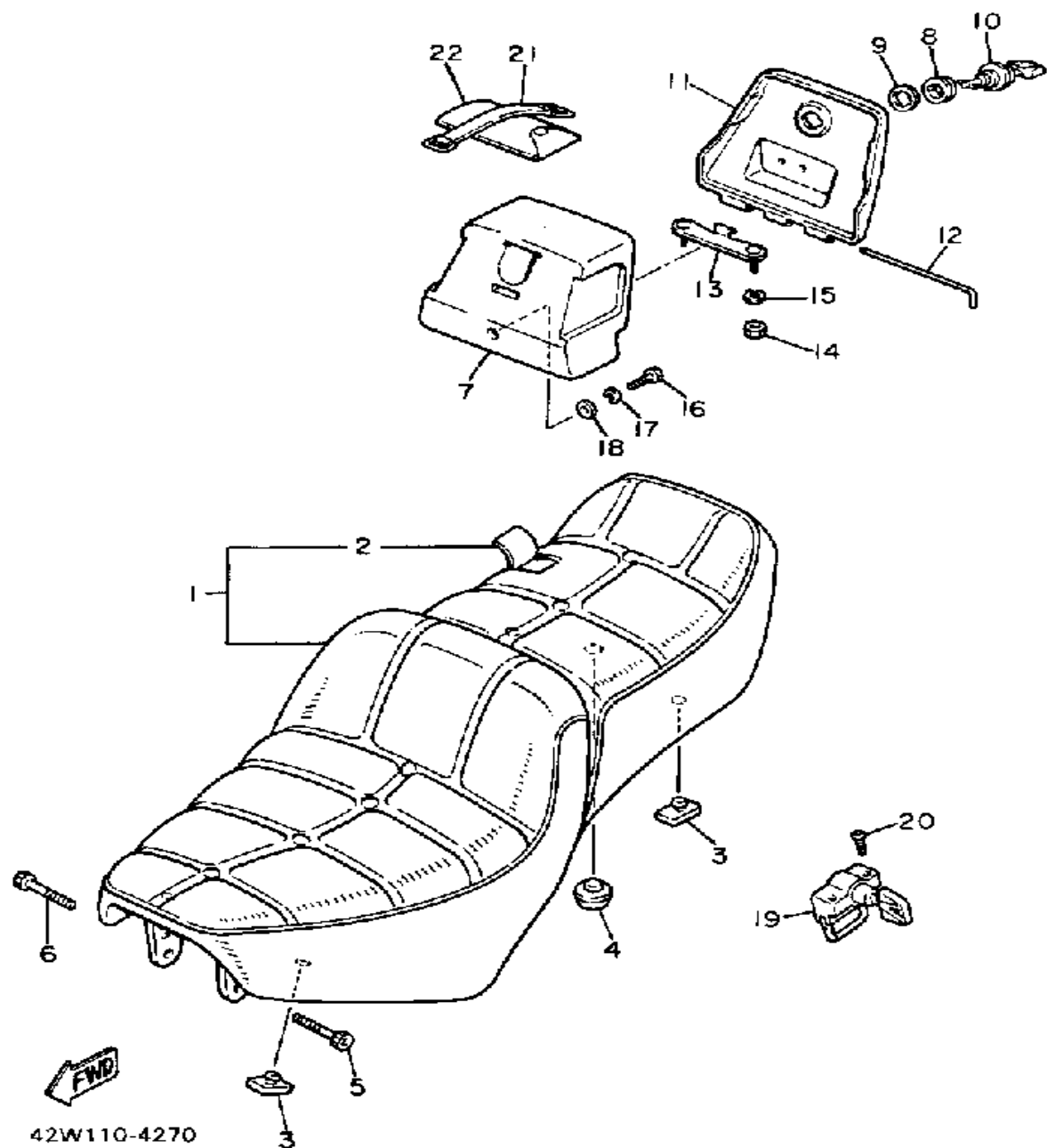
42X110-4440

XV700L/LC

XV700N/NC

Fuel Type / Total Fuel Tank Capacity / Reserve Cap.	Regular / 25 Lit / 2.5 Lr
---	---------------------------

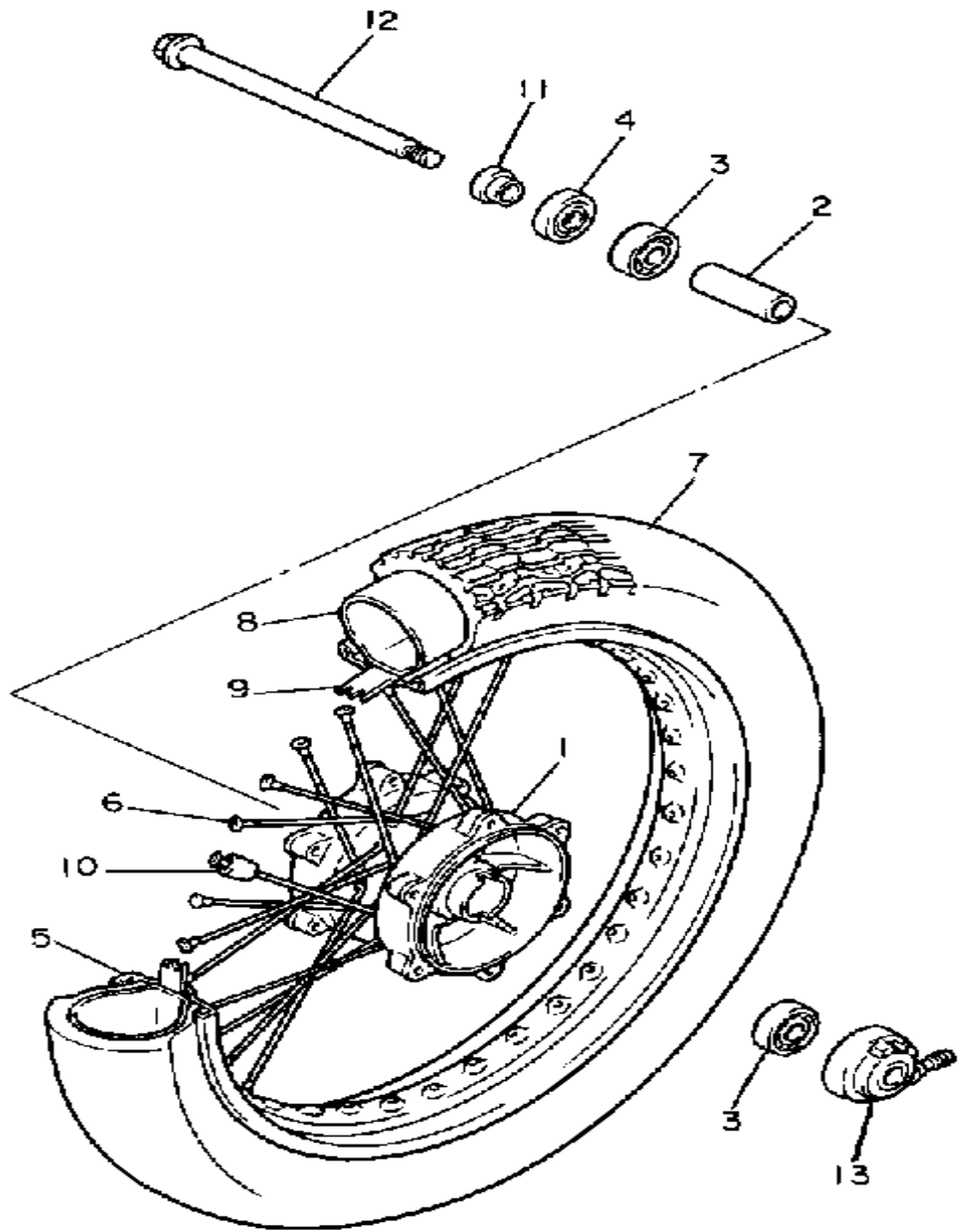
SEAT



Ref. No.	Part Number	Description	Qty	Remarks
1	3CF-24730-10-00	DOUBLE SEAT ASSEMBLY ...	1	
2	42X-24731-00-00	. COVER, DOUBLE SEAT	1	
3	509-24724-00-00	DAMPER, SEAT	4	
4	1L9-24741-00-00	PAD, SEAT	1	
5	91316-06016-00	BOLT, SOCKET HEAD	1	
6	90110-06077-00	BOLT, HEXAGON SOCKET HEAD	1	
7	42X-2473R-00-00	BOX 1	1	
8	90480-24186-00	GROMMET	1	
9	90201-225A4-00	WASHER, PLATE (T1.0)	1	
10	5A8-21708-00-00	LOCK ASSEMBLY 2	1	
11	42X-2473T-00-00	LID 1	1	
12	42X-2177K-00-00	PIN, HINGE	1	
13	42X-21631-00-00	BOLT 1	1	
14	95380-06600-00	NUT	2	
15	92995-06100-00	WASHER, SPRING	2	
16	97313-06016-00	BOLT, HEXAGON	1	
17	92995-06100-00	WASHER, SPRING	1	
18	90201-06057-00	WASHER, PLATE	1	
19	42X-21308-00-00	HELMET HANGER ASSEMBLY	1	
20	98701-05020-00	SCREW, FLAT HEAD	2	
21	5H9-21376-00-00	BAND, TOOL	1	
22	5A8-W2810-00-00	TOOL KIT	1	

42W110-4270

FRONT WHEEL XV700L - LC

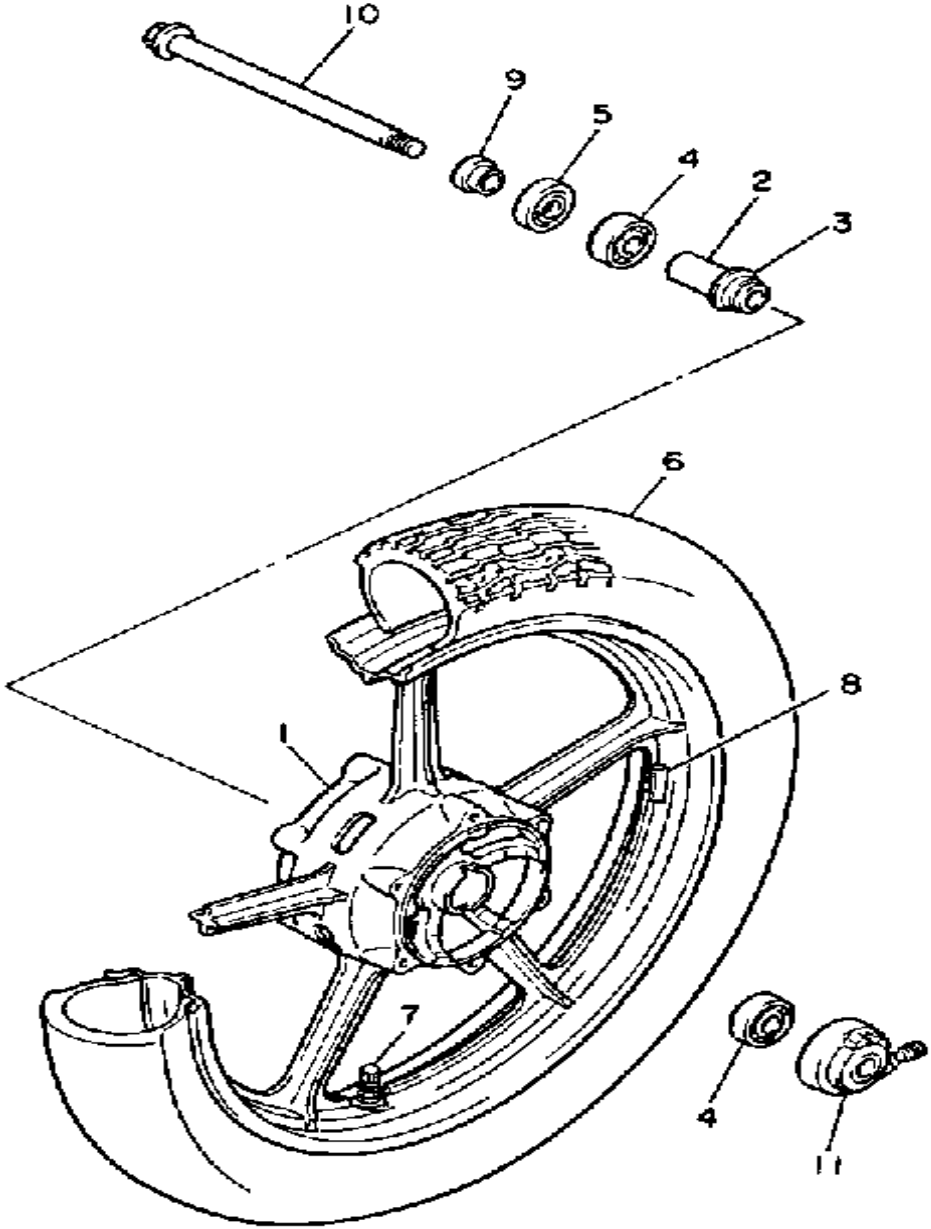


Ref. No.	Part Number	Description	Qty	Remarks
1	42X-25111-01-98	HUB, FRONT	1	LOW GLOSS BK
2	90560-15116-00	SPACER	1	
3	93306-30202-00	BEARING	2	
4	93102-22014-00	OIL SEAL	1	
5	94421-19381-00	RIM 2.15X 9	1	
6	42X-25104-00-00	SPOKE SET, FRONT	1	
7	94110-194H7-00	100/90-19G535BS (100/90-19 57H)	1	BRIDGESTONE
8	94210-19222-00	TUBE (3.25-19)	1	
9	94327-19111-00	BAND, RIM (3.50-19) (94335-19026-00)	1	
10	156-25398-00-00	BALANCER, WHEEL	1	U.N.
11	90387-15550-00	COLLAR	1	
12	42X-25181-00-00	AXLE, WHEEL	1	
13	42X-25190-00-00	GEAR UNIT ASSEMBLY	1	



42W110-42B0

FRONT WHEEL XV700N - NC

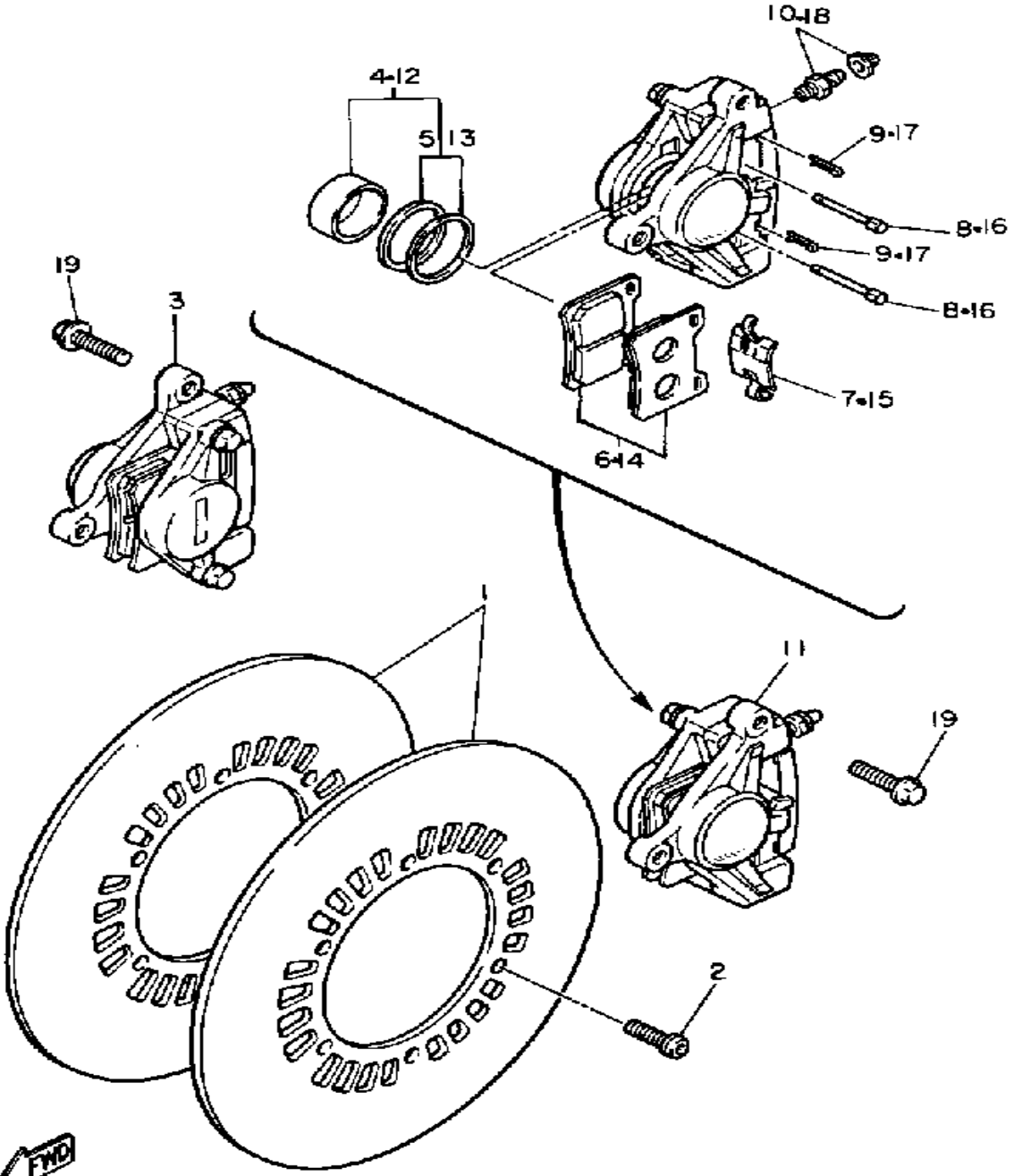


Ref. No.	Part Number	Description	Qty	Remarks
1	42H-25168-00-8L	WHEEL, CAST FRONT	1	NEBULAR GOLD
2	90560-15116-00	SPACER	1	
3	146-25115-00-00	FLANGE, SPACER 1	1	
4	93306-30202-00	BEARING	2	
5	93102-22014-00	OIL SEAL	1	
6	94110-196M3-00	110/90-19L303RWLTL (100/90-19-57H)	1	BRIDGESTONE
7	93900-00001-00	VALVE, RIM	1	U.R. BRIDGESTONE
	93900-00003-00	VALVE, RIM	1	U.R. DUNLOP
8	29L-25398-00-00	BALANCER, WHEEL (10G)	1	U.N.
	29L-25398-10-00	BALANCER, WHEEL (20G)	1	U.N.
	29L-25398-20-00	BALANCER, WHEEL (30G)	1	U.N.
9	90387-15550-00	COLLAR	1	
10	42X-25181-00-00	AXLE, WHEEL	1	
11	42H-25190-00-00	GEAR UNIT ASSEMBLY	1	



42G110-42B0

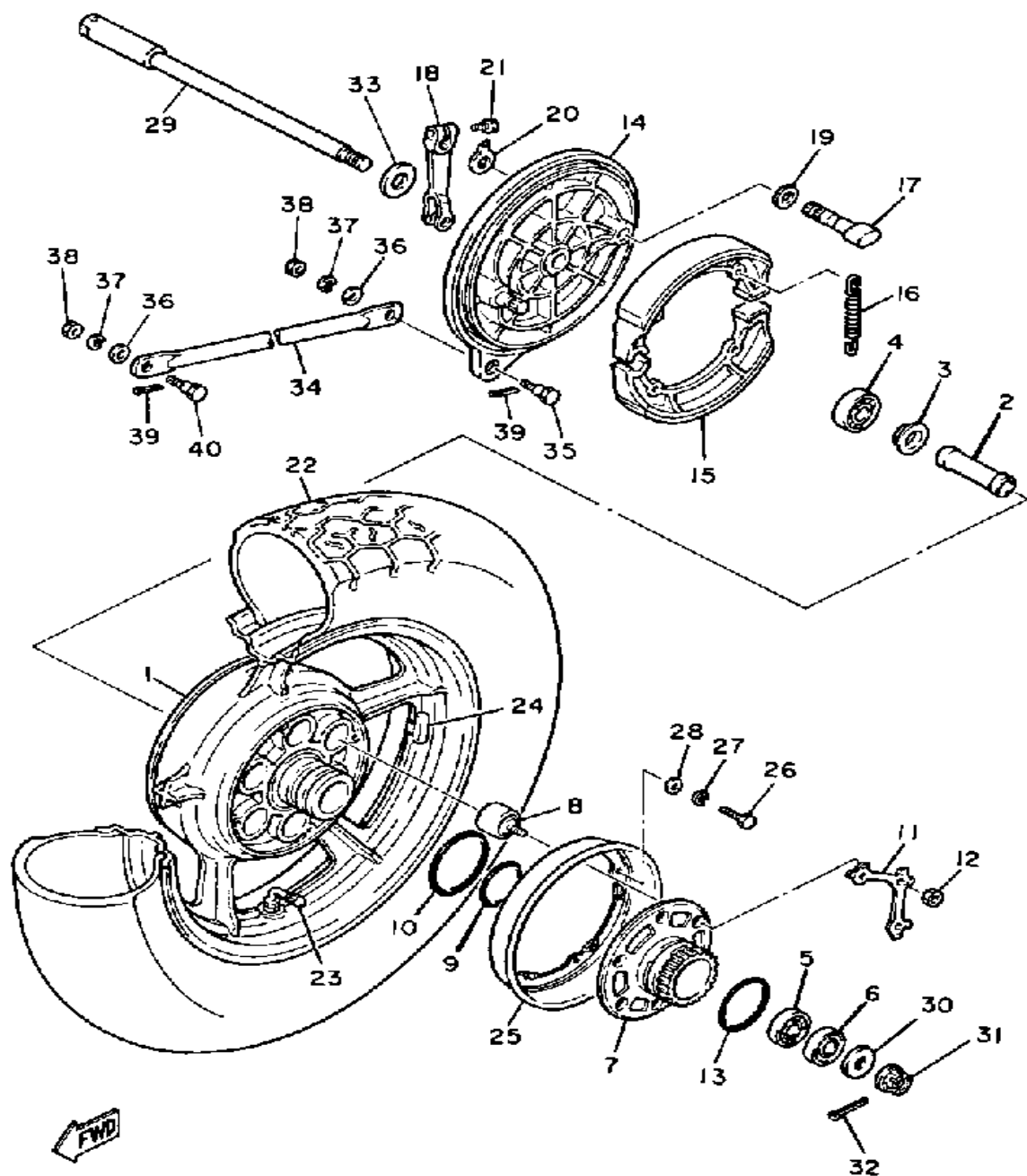
FRONT BRAKE-CALIPER



Ref. No.	Part Number	Description	Qty	Remarks
1	11U-25831-00-00	DISC, BRAKE	2	L/LC
	42H-25831-00-00	DISC, BRAKE RH (RIGHT)	2	N/NC
2	90109-08718-00	BOLT	12	
3	42H-25810-01-00	CALIPER ASSEMBLY (RIGHT)	1	
4	26H-25810-03-00	CALIPER ASSEMBLY (RIGHT) (26H-25810-00-00)	1	
5	26H-W0047-00-00	. . CALIPER SEAL KIT	1	
6	26H-W0045-11-00	BRAKE PAD KIT	1	
7	1WG-25919-00-00	. SUPPORT, PAD	1	
8	3HE-25924-00-00	. PIN, PAD	2	
9	3HE-25925-00-00	. CLIP	2	
10	3HE-25925-00-00	. CLIP	1	
11	42H-25810-10-00	CALIPER ASSEMBLY	1	
12	26H-W0057-00-00	. PISTON ASSEMBLY, CALIPER	1	
13	26H-W0047-00-00	. . CALIPER SEAL KIT	1	
14	26H-W0045-11-00	. BRAKE PAD KIT	1	
15	1WG-25919-00-00	. SUPPORT, PAD	1	
16	3HE-25924-00-00	. PIN, PAD	2	
17	3HE-25925-00-00	. CLIP	2	
18	1J3-W0048-00-00	. BLEED SCREW KIT	1	
19	90105-10638-00	BOLT, WASHER BASED	4	

42W110-4290

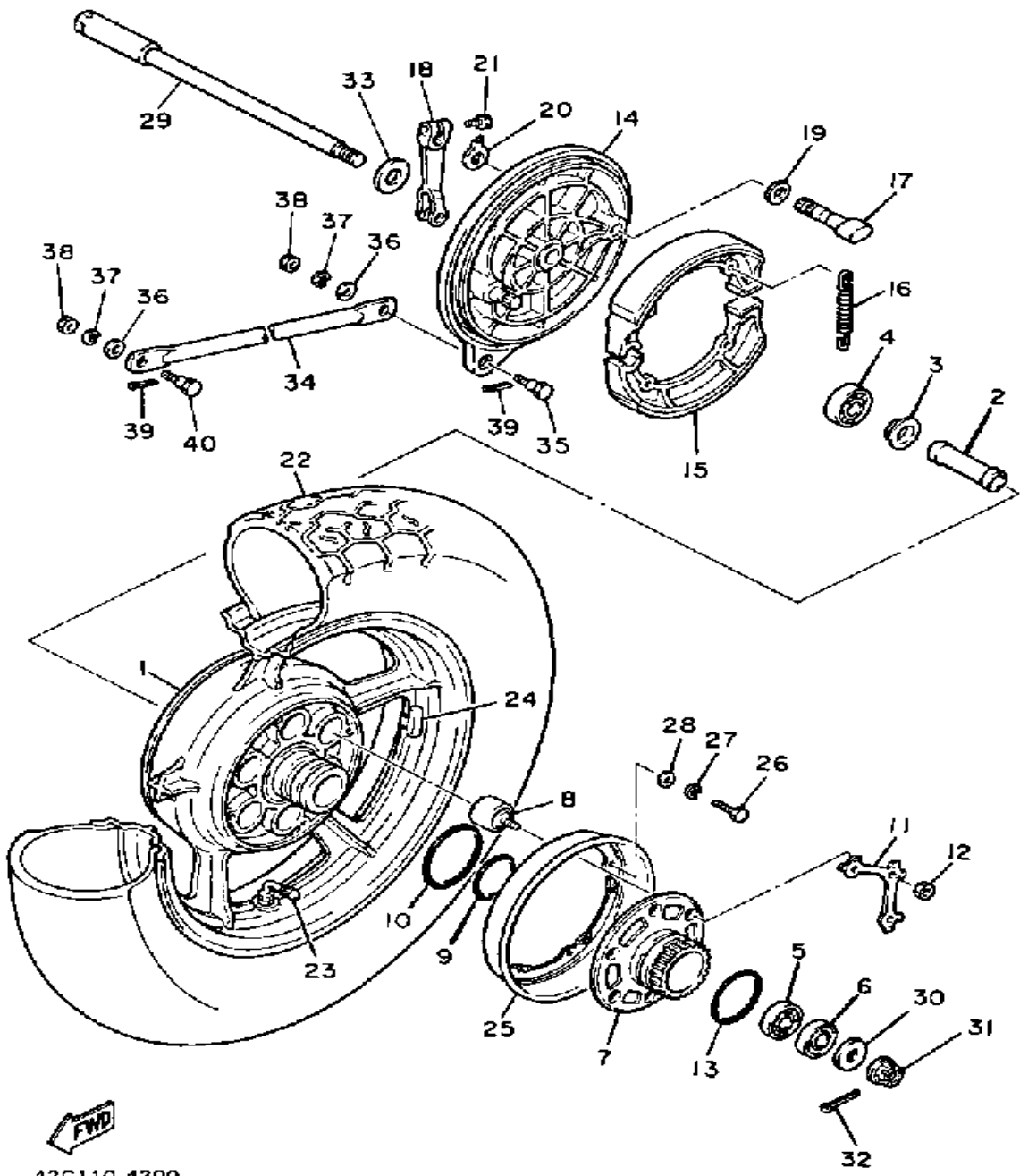
REAR WHEEL



Ref. No.	Part Number	Description	Qty	Remarks
1	42X-25311-00-98	HUB, REAR	1	LOW GLOSS BK
2	90560-17249-00	SPACER	1	
3	146-25315-00-00	FLANGE, SPACER	1	
4	93306-30309-00	BEARING	1	
5	93306-20310-00	BEARING	1	
6	93306-20310-00	BEARING	1	U.R.
7	4H7-25366-01-00	CLUTCH, HUB	1	
8	90105-10200-00	BOLT, WASHER BASED	5	
9	93210-57428-00	O-RING	1	
10	93306-20310-00	BEARING	1	U.R.
11	(42X-25319-00-00)	SEAL, HUB DUST	1	
12	98580-05012-00	SCREW, PAN HEAD	1	
13	92990-05100-00	WASHER, SPRING	4	
14	92901-05600-00	WASHER, PLATE	4	
15	4K0-25321-01-00	PLATE BRAKE SHOE	1	
16	5A8-W2536-00-00	BRAKESHOE SET-2PCS	1	
17	90507-20002-00	SPRING, TENSION	2	
18	4H7-25351-00-00	CAMSHAFT	1	
19	42X-25355-00-00	LEVER, CAMSHAFT	1	
20	90201-14218-00	WASHER, PLATE	1	
21	4H7-2533A-02-00	PLATE, INDICATOR	1	
22	90101-06291-00	BOLT	1	
23	(94430-15380-00)	RIM 3.00X 5	1	
24	42X-25304-00-00	SPOKE SET, REAR	1	
25	94114-154H9-00	140/90-15 BS TIRE (140/90-15 70H)	1	BRIDGESTONE
26	94214-15223-00	TUBE (140-15)	1	
27	94330-15134-00	BAND, RIM (3.00-15)	1	
28	156-25398-00-00	BALANCER, WHEEL	1	U.N.

CONTINUED ON NEXT FRAME ►

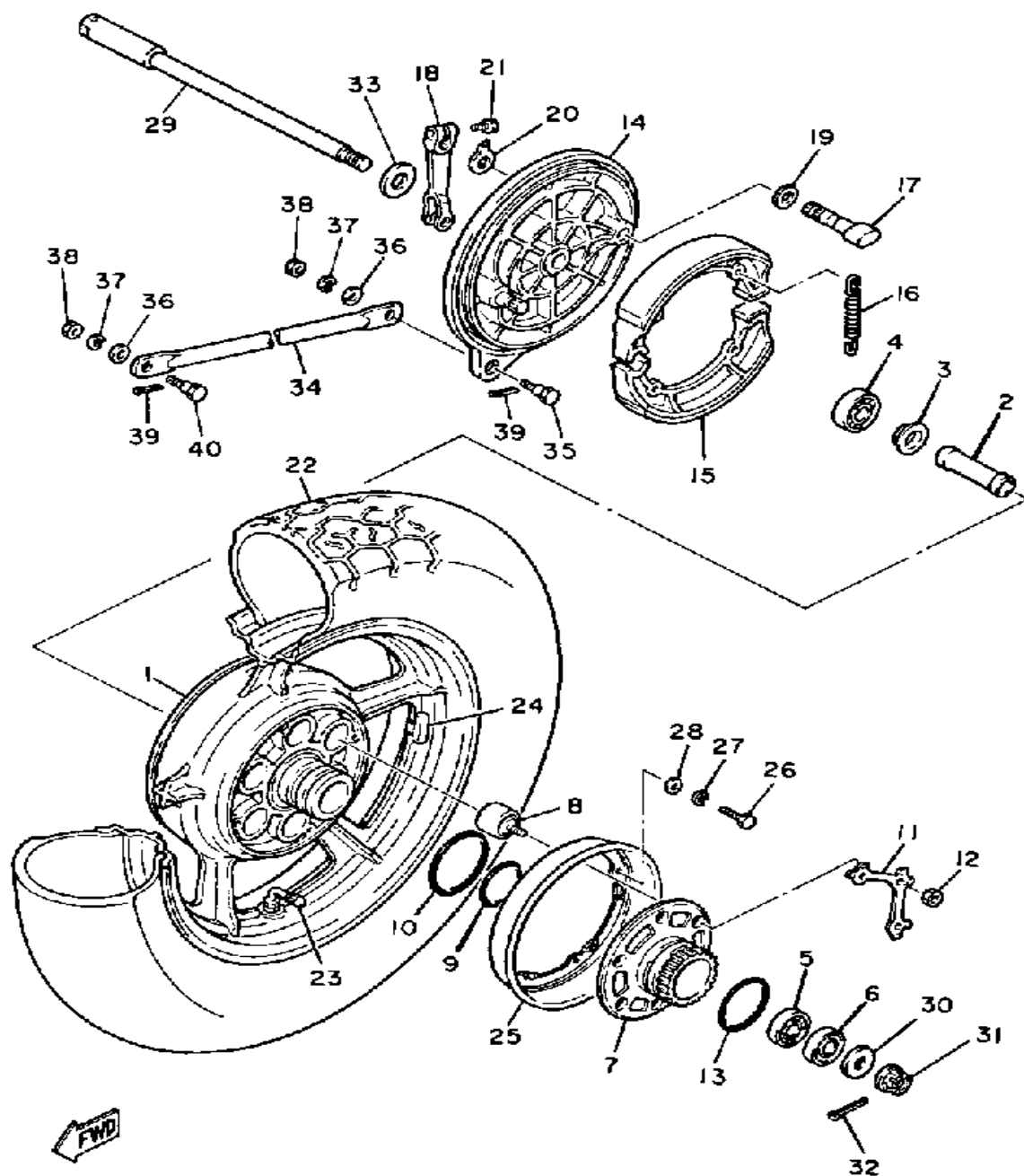
REAR WHEEL



Ref. No.	Part Number	Description	Qty	Remarks
29	42X-25381-00-00	AXLE, WHEEL	1	
30	90201-144J5-00	WASHER, PLATE	1	
31	90171-14031-00	NUT, CASTLE	1	
32	91401-30030-00	PIN, COTTER	1	
33	56W-25377-00-00	COLLAR, WHEEL	1	
34	42X-25371-00-00	BAR, TENSION	1	
35	90109-08406-00	BOLT	1	
36	92901-08600-00	WASHER	2	
37	92990-08100-00	WASHER	2	
38	95303-08700-00	NUT	2	
39	91490-20020-00	PIN, COTTER	2	
40	90109-08368-00	BOLT	1	

FWD
42G110-4300

REAR WHEEL

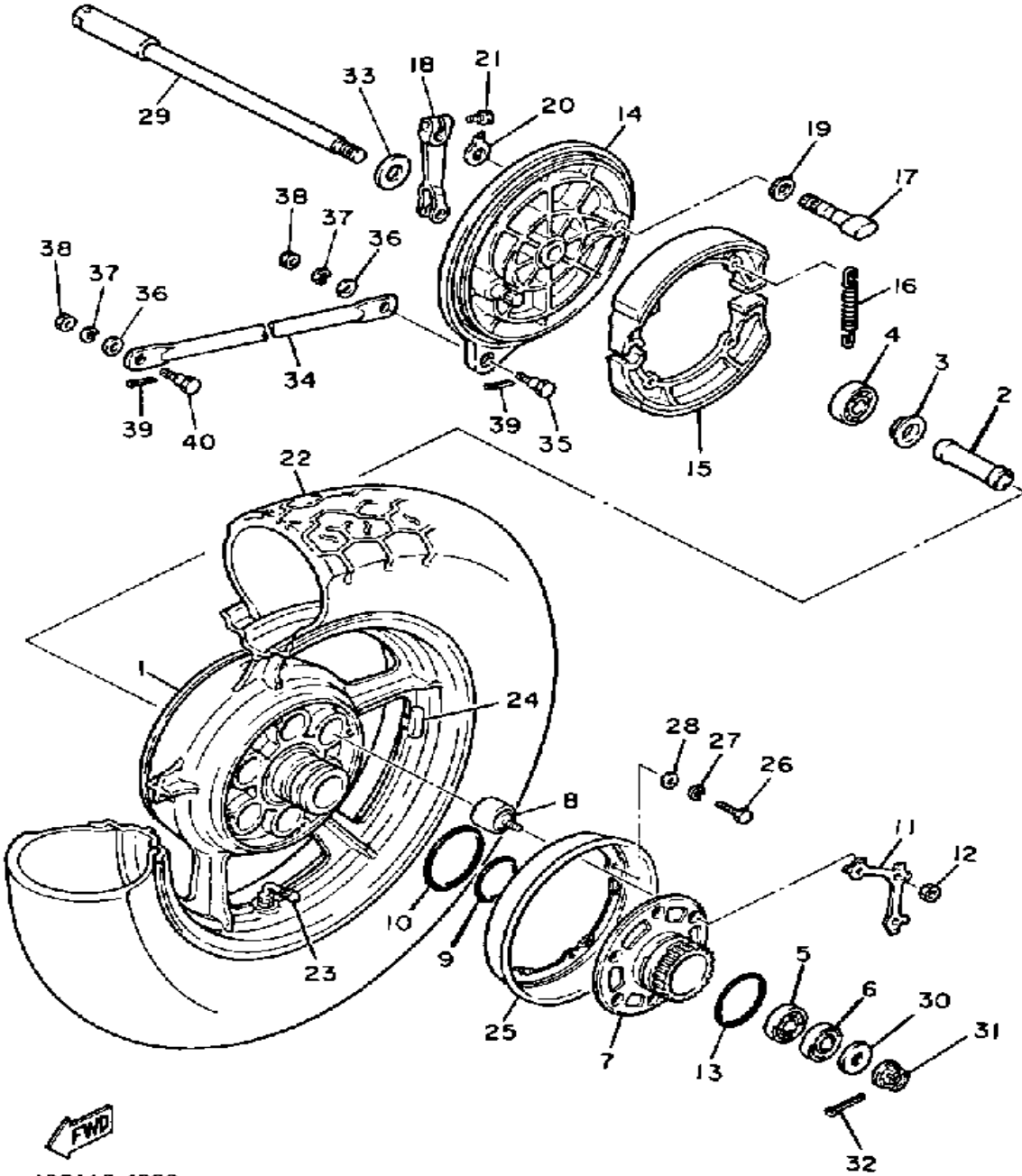


42G110-4300

Ref. No.	Part Number	Description	Qty	Remarks
1	42H-25338-01-8L	CAST WHEEL, REAR	1	NEBULAR GOLD
2	90560-17249-00	SPACER	1	
3	146-25315-00-00	FLANGE, SPACER	1	
4	93306-30309-00	BEARING	1	
5	93306-20310-00	BEARING	1	
6	93306-20310-00	BEARING	1	
7	16G-25366-01-00	CLUTCH, HUB	1	
8	42H-25364-00-00	DAMPER	6	
9	93210-48530-00	O-RING	1	
10	93210-59531-00	O-RING	2	
11	16G-25412-00-00	WASHER	2	
12	95701-10500-00	NUT, FLANGE (95702-10500)	6	
13	93210-57428-00	O-RING	1	
14	4K0-25321-01-00	PLATE BRAKE SHOE	1	
15	5A8-W2536-00-00	BRAKESHOE SET-2PCS	1	
16	90507-20002-00	SPRING, TENSION	2	
17	4H7-25351-00-00	CAMSHAFT	1	
18	42X-25355-00-00	LEVER, CAMSHAFT	1	
19	90201-14218-00	WASHER, PLATE	1	
20	4H7-2533A-02-00	PLATE, INDICATOR	1	
21	90101-06291-00	BOLT	1	
22	94114-156M4-00	140/90-15G508RWLTL (140/90-15-70H)	1	BRIDGESTONE
23	93900-00030-00	VALVE, RIM	1	BRIDGESTONE
24	29L-25398-00-00	BALANCER, WHEEL (10G)	1	U.N.
	29L-25398-10-00	BALANCER, WHEEL (20G)	1	
	29L-25398-20-00	BALANCER, WHEEL (30G)	1	U.N.
25	16G-25327-00-00	COVER, PLATE	1	
26	97321-05020-00	BOLT, HEXAGON	4	

CONTINUED ON NEXT FRAME ►

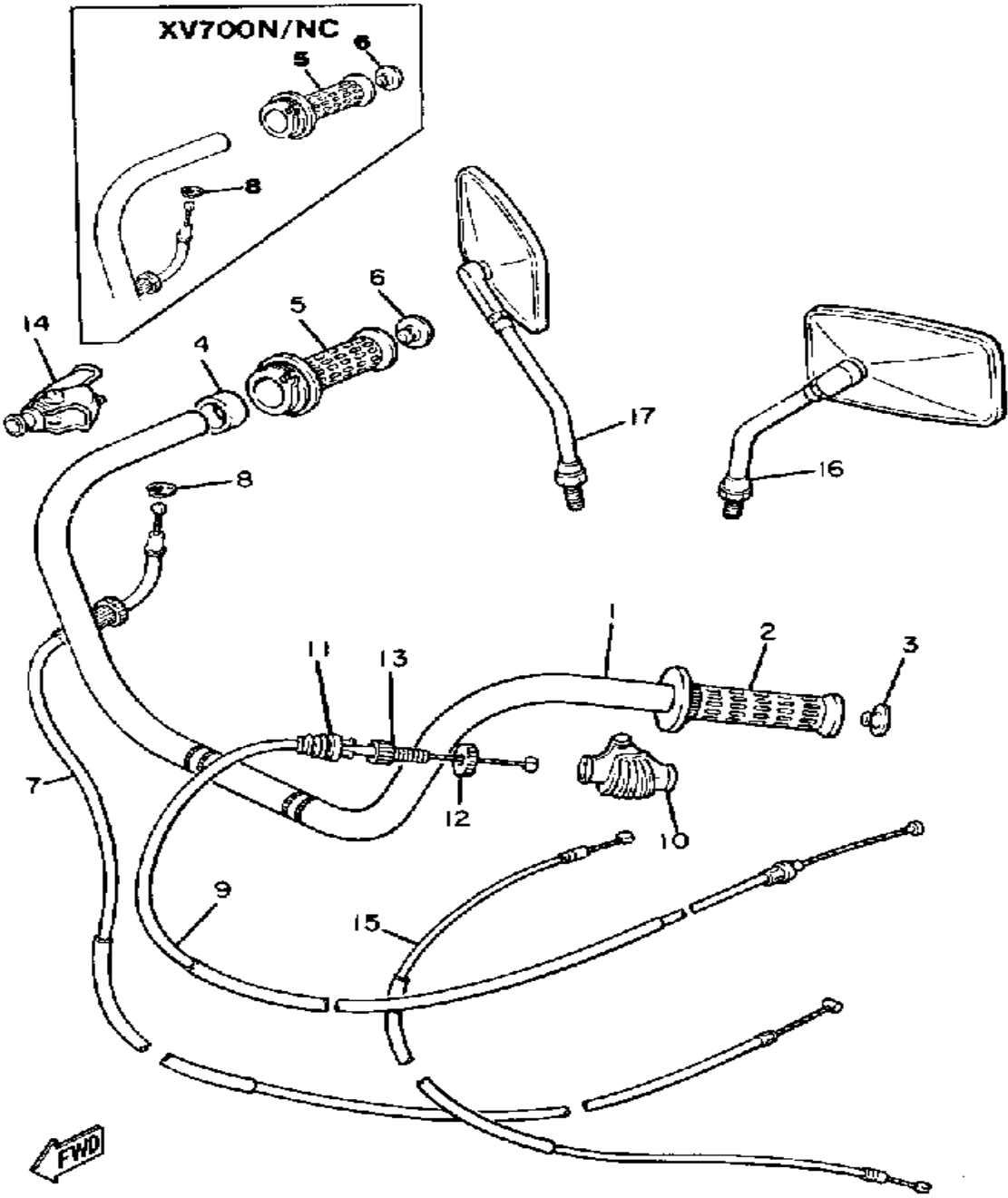
REAR WHEEL



42G110-4300

Ref. No.	Part Number	Description	Qty	Remarks
27	92990-05100-00	WASHER, SPRING	4	
28	92901-05600-00	WASHER, PLATE	4	
29	42X-25381-00-00	AXLE, WHEEL	1	
30	90201-144J5-00	WASHER, PLATE	1	
31	90171-14031-00	NUT, CASTLE	1	
32	91401-30030-00	PIN, COTTER	1	
33	56W-25377-00-00	COLLAR, WHEEL	1	
34	42X-25371-00-00	BAR, TENSION	1	
35	90109-08406-00	BOLT	1	
36	92901-08600-00	WASHER	2	
37	92990-08100-00	WASHER	2	
38	95303-08700-00	NUT	2	
39	91490-20020-00	PIN, COTTER	2	
40	90109-08368-00	BOLT	1	

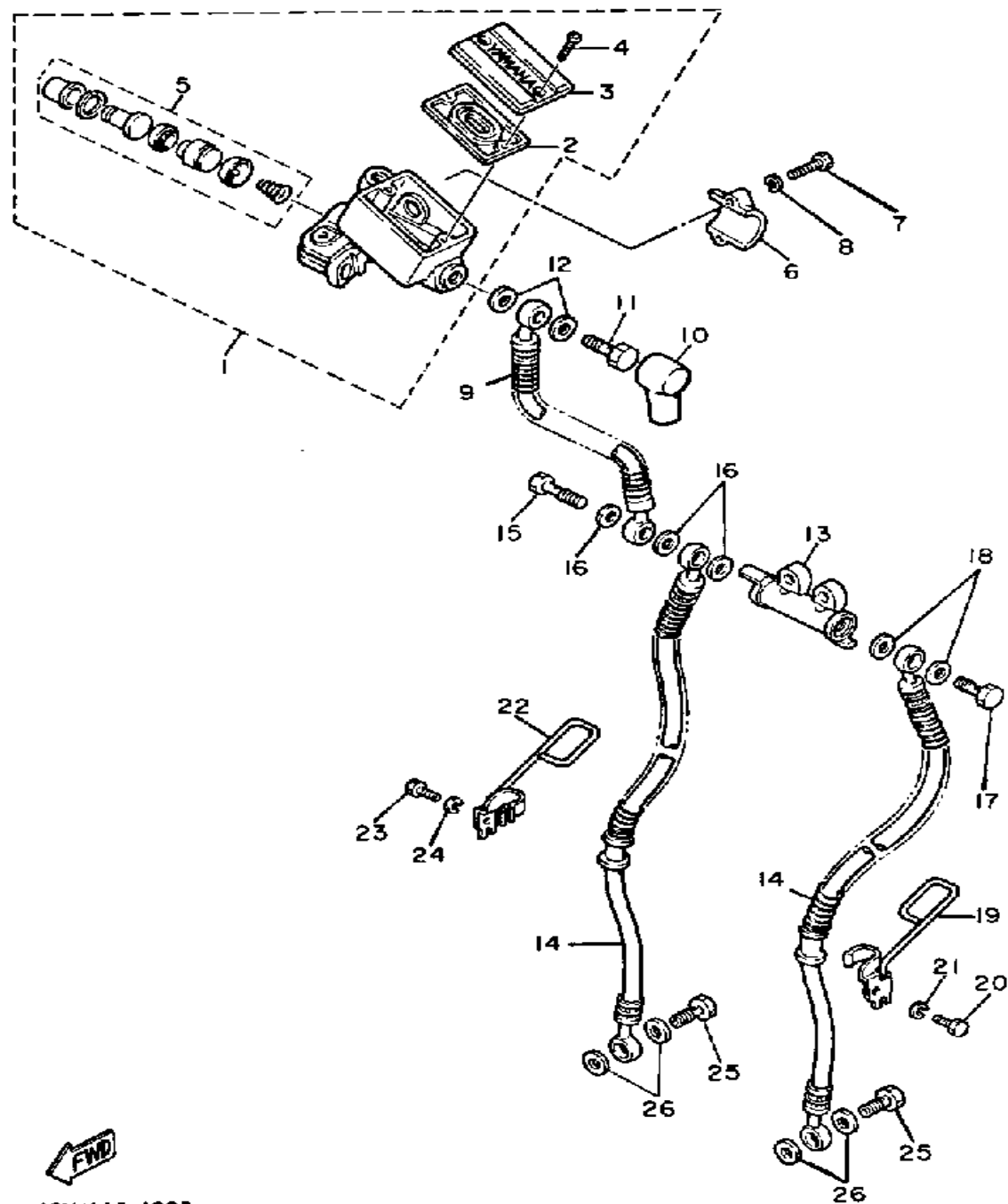
HANDLEBAR-CABLE



42W110-4310

Ref. No.	Part Number	Description	Qty	Remarks
1	42X-W2611-00-00	HANDLEBAR	1	
2	42X-26241-00-00	GRIP LH	1	
3	26H-2628J-00-00	CAP, grip	1	
4	31A-26249-00-00	RING, LEAF	1	
5	42X-26240-00-00	GRIP ASSEMBLY	1	
6	26H-2628J-00-00	CAP, grip	1	
7	42X-26311-00-00	CABLE, THROTTLE 1	1	
8	5H0-26393-00-00	HOLDER	1	
9	42X-26335-00-00	CABLE, CLUTCH	1	L/LC
	57A-26335-00-00	CABLE, CLUTCH	1	N/NC
10	11H-26372-00-00	COVER, HANDLE LEVER	1	L/LC
11	1E6-26342-00-00	BOOT, CABLE	1	
12	90179-08148-00	NUT	1	
13	90123-08046-00	BOLT	1	
14	31A-26372-10-00	COVER, HANDLE LEVER	1	
15	42X-26331-00-00	CABLE, STARTER 1	1	L/LC
	57A-26331-00-00	CABLE, STARTER 1	1	N/NC
16	4H7-26290-10-00	BACK MIRROR ASSEMBLY (LEFT)	1	
17	4H7-26290-00-00	BACK MIRROR ASSEMBLY (RIGHT)	1	

FRONT MASTER CYLINDER

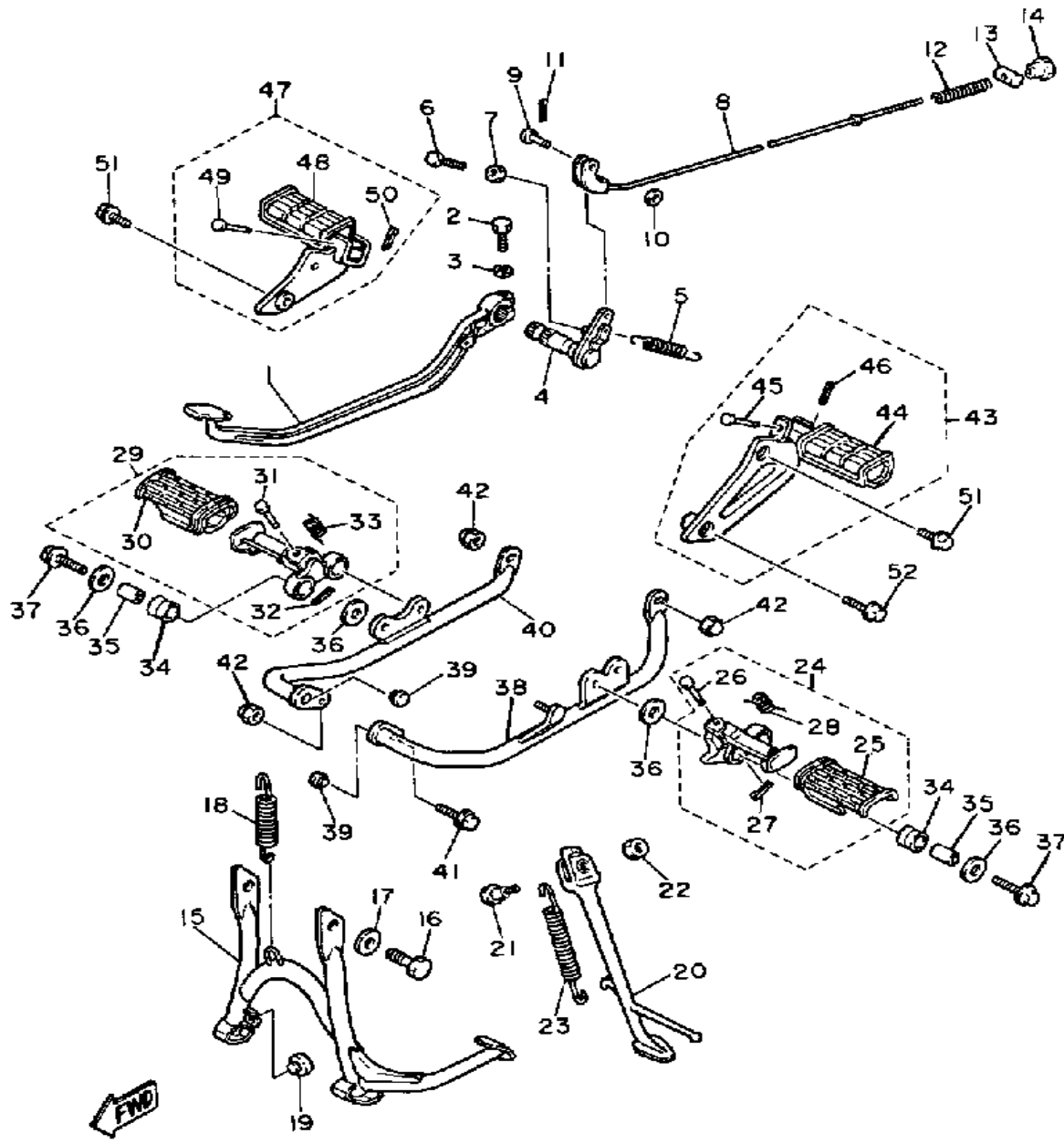


Ref. No.	Part Number	Description	Qty	Remarks
1	22R-25850-02-00	MASTER CYLINDER ASSEMBLY	1	
2	4K0-25854-00-00	. DIAPHRAGM RESERVOIR	1	
3	3GM-25852-01-00	. CAP, RESERVOIR	1	
4	98706-04012-00	. SCREW, FLAT HEAD	2	
5	4K0-W0041-50-00	. CYLINDER KIT, MASTER	1	
6	4L0-25867-00-00	BRACKET, MASTER CYLINDER	1	
7	97016-06025-00	BOLT	2	
8	92906-06100-00	WASHER, SPRING	2	
9	42H-25872-01-00	HOSE, BRAKE 1	1	
10	306-25862-00-00	BOOT, MASTER CYLINDER	1	
11	90401-10034-00	BOLT, UNION	1	
12	90201-10118-00	WASHER, PLATE	2	
13	42H-25885-01-00	JOINT	1	
14	42H-25873-01-00	HOSE, BRAKE 2	2	
15	90401-10044-00	BOLT, UNION	1	
16	90201-10118-00	WASHER, PLATE	3	
17	90401-10034-00	BOLT, UNION	1	
18	90201-10118-00	WASHER, PLATE	2	
19	42X-25875-00-00	HOLDER, BRAKE HOSE 1	1	
20	97011-06010-00	BOLT	1	
21	92995-06100-00	WASHER, SPRING	1	
22	42X-25876-00-00	HOLDER, BRAKE HOSE 2	1	
23	97011-06010-00	BOLT	1	
24	92995-06100-00	WASHER, SPRING	1	
25	90401-10034-00	BOLT, UNION	2	
26	90201-10118-00	WASHER, PLATE	4	



42W110-4320

STAND-FOOTREST

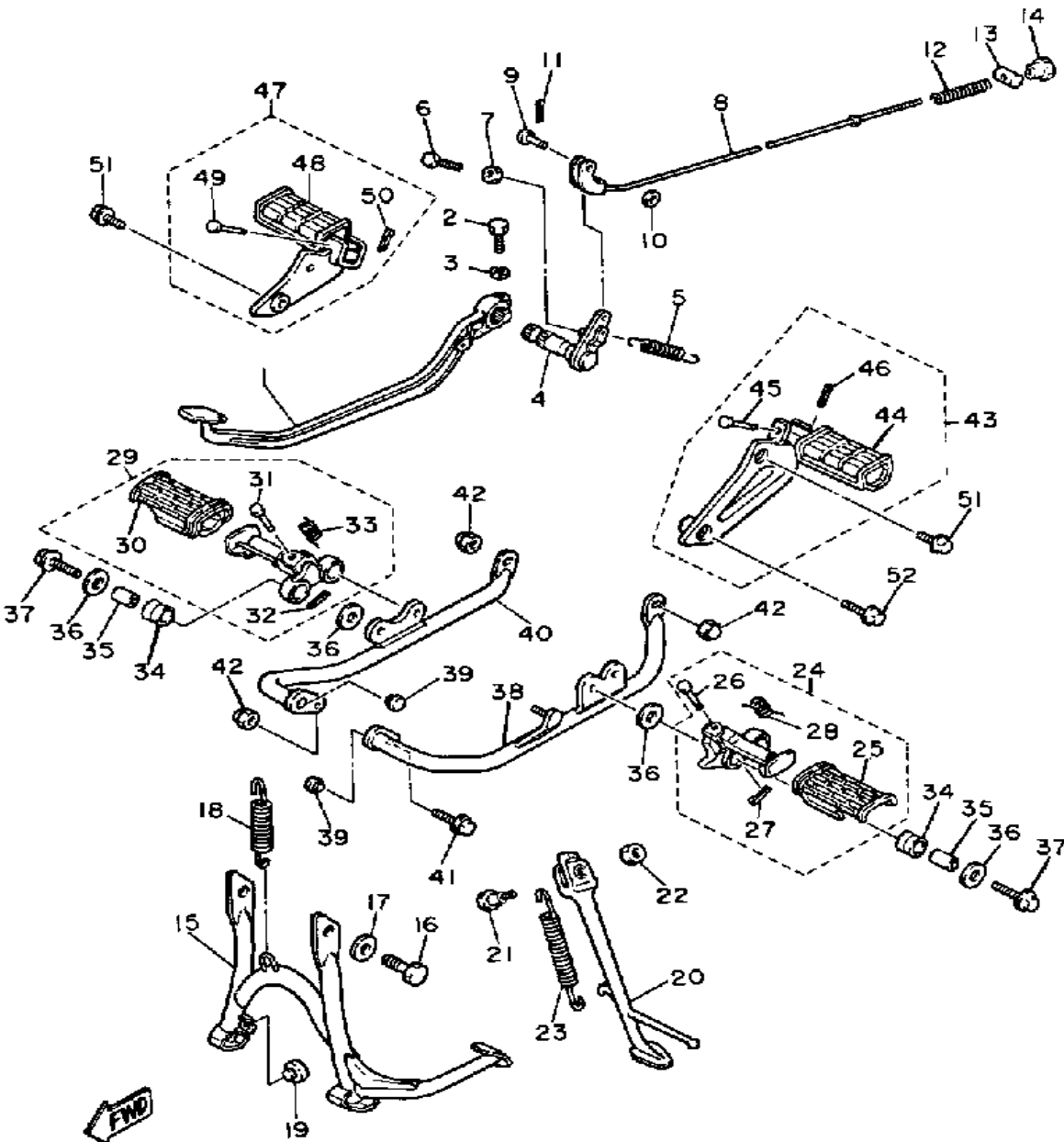


42W110-4330

Ref. No.	Part Number	Description	Qty	Remarks
1	1RM-27211-00-93	PEDAL, BRAKE	1	CHROME-PLATED
2	90109-06468-00	BOLT	1	
3	92995-06100-00	WASHER, SPRING	1	
4	42X-27212-00-00	SHAFT, BRAKE PEDAL	1	
5	90506-20192-00	SPRING, TENSION	1	
6	90101-06478-00	BOLT, HEX.	1	
7	90170-06184-00	NUT, HEXAGON	1	
8	42X-27231-02-00	ROD, BRAKE	1	
9	90240-06103-00	PIN, CLEVIS	1	
10	92990-06200-00	WASHER	1	
11	91490-20020-00	PIN, COTTER	1	
12	90501-10245-00	SPRING, COMPRESSION	1	
13	90249-12008-00	PIN	1	
14	90175-06019-00	NUT, WING	1	
	90179-06411-00	NUT	1	
15	42X-27111-00-R4	STAND, MAIN	1	BLACK
16	97011-10016-00	BOLT, HEXAGON	2	
17	90201-10752-00	WASHER, PLATE	2	
18	90506-35149-00	SPRING, TENSION	1	
19	371-27114-00-00	STOPPER, MAIN STAND	1	
20	42X-27311-00-93	STAND, SIDE	1	CHROME-PLATED
21	90109-103A1-00	BOLT	1	
22	95303-10700-00	NUT	1	
23	90507-29009-00	SPRING, TENSION	1	
24	42X-27410-00-93	FRT FOOTREST ASSEMBLY L (LH)	1	CHROME-PLATED
25	42X-27413-00-00	. COVER, FOOTREST	1	
26	91701-08038-00	. PIN, CLEVIS	1	
27	91401-25020-00	. PIN, COTTER	1	

CONTINUED ON NEXT FRAME ►

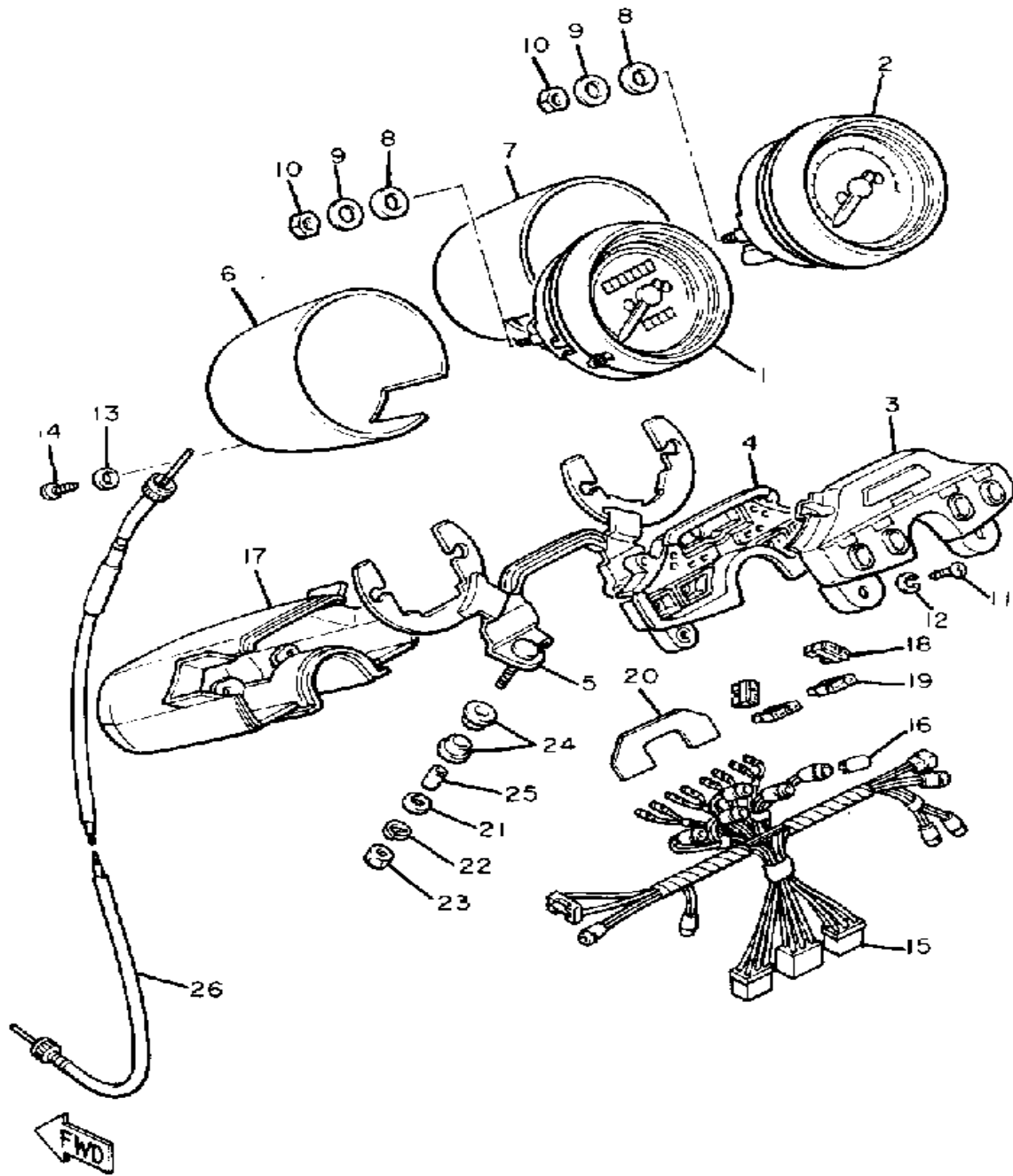
STAND-FOOTREST



42W110-4330

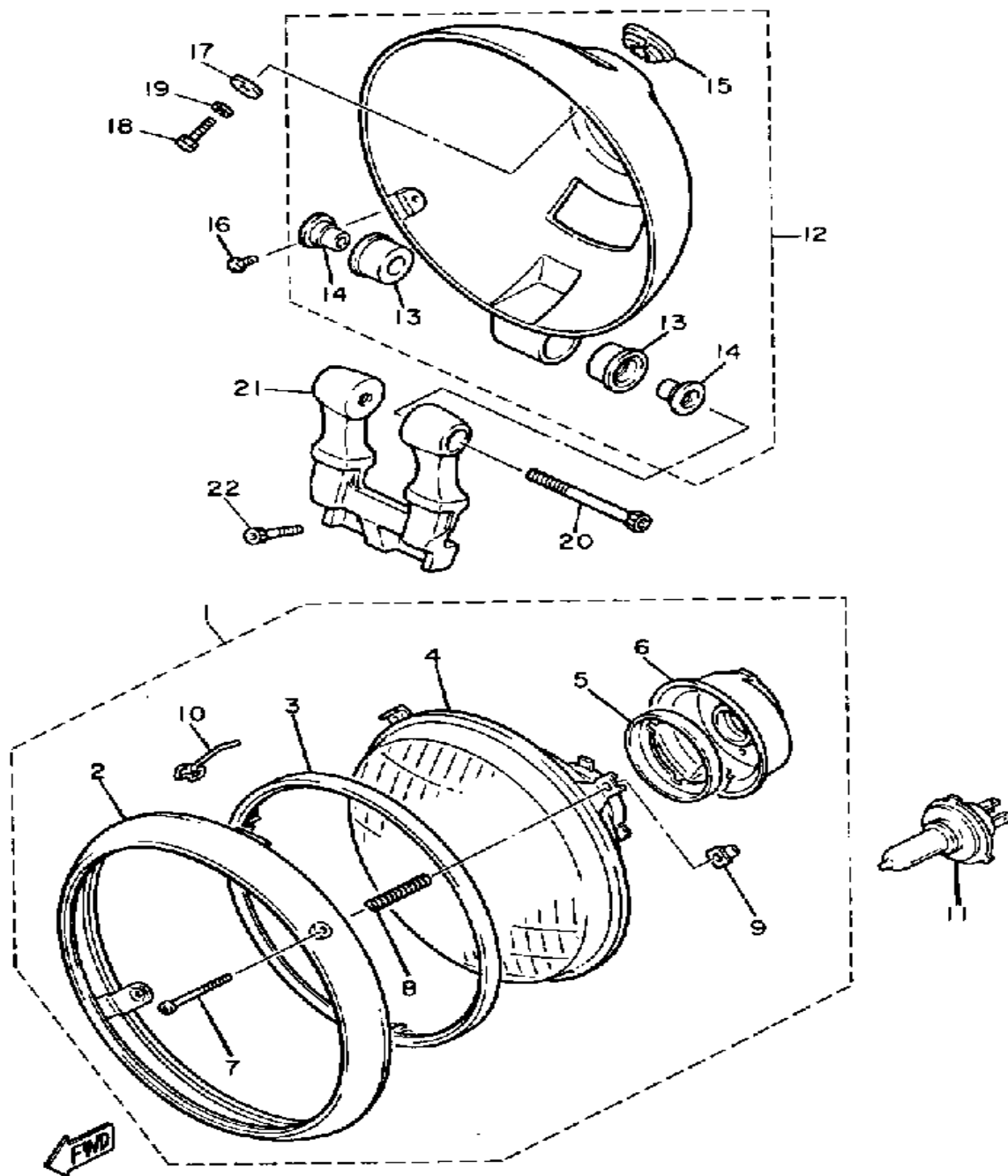
Ref. No.	Part Number	Description	Qty	Remarks
28	(90508-20663-00)	SPRING, TORSION	1	
29	42X-27420-00-93	FRT FOOTREST ASSEMBLY R (R.H)	1	CHROME-PLATED
30	26H-27413-02-00	. COVER, footrest	1	
31	91701-08038-00	. PIN, CLEVIS	1	
32	91401-25020-00	. PIN, COTTER	1	
33	90508-20023-00	. SPRING, TORSION	1	
34	4X7-27414-00-00	DAMPER, FOOTREST	4	
35	90387-107A7-00	COLLAR	4	
36	90201-105A2-00	WASHER, PLATE	8	
37	90109-101A3-00	BOLT	4	
38	42X-27471-00-00	BAR, FOOTREST 1	1	
39	90338-09012-00	PLUG	2	
40	42X-27472-00-00	BAR, FOOTREST 2	1	
41	90105-10050-00	BOLT, WASHER BASED	1	
42	90176-10049-00	NUT, CROWN	3	
43	42X-27430-01-00	RR FOOTREST ASSEMBLY 1	1	
44	3H5-27433-00-00	. COVER, RR FOOTREST	1	
45	91701-06038-00	. PIN, CLEVIS	1	
46	91490-16020-00	. PIN, COTTER	1	
47	42X-27440-01-00	RR FOOTREST ASSEMBLY 2	1	
48	3H5-27444-00-00	. COVER, RR FOOTREST	1	
49	91701-06038-00	. PIN, CLEVIS	1	
50	91490-16020-00	. PIN, COTTER	1	
51	95023-08020-00	BOLT	3	
52	95023-08045-00	BOLT	1	

METER



Ref. No.	Part Number	Description	Qty	Remarks
1	42X-83570-A0-00	SPEEDOMETER ASSEMBLY ..	1	
2	42X-83540-01-00	TACHOMETER ASSEMBLY ...	1	
3	42X-8353G-00-00	CASE UPPER	1	
4	1AA-8353H-00-00	CASE, INNER	1	
5	42X-83519-00-00	BRACKET, METER	1	
6	42X-83507-00-00	COVER, SPEEDOMETER	1	
7	42X-83508-00-00	COVER, TACHOMETER	1	
8	1FG-83523-00-00	DAMPER	4	
9	90201-05031-00	WASHER, PLATE	4	
10	95380-05600-00	NUT	4	
11	98580-04008-00	SCREW, PAN HEAD	4	
12	92901-04600-00	WASHER, PLATE	4	
13	92901-04600-00	WASHER, PLATE	4	
14	90164-04009-00	SCREW, TAPPING	4	
15	42X-83509-00-00	INACTIVE PART NUMBER	1	
16	42X-83517-00-00	BULB (12V-3W)	10	
17	42X-83559-00-00	COVER, METER	1	
18	42X-82151-20-00	FUSE (10A)	3	
19	36Y-82151-00-00	FUSE (15A-BL)	3	
20	55R-83579-00-00	COVER, METER 2	1	
21	92906-06200-00	WASHER	2	
22	92906-06100-00	WASHER, SPRING	2	
23	95316-06600-00	NUT	2	
24	584-83541-00-00	DAMPER	4	
25	90387-06249-00	COLLAR	2	
26	57A-83550-00-00	SPEEDOMETER CABLE ASSEMBLY	1	N/NC

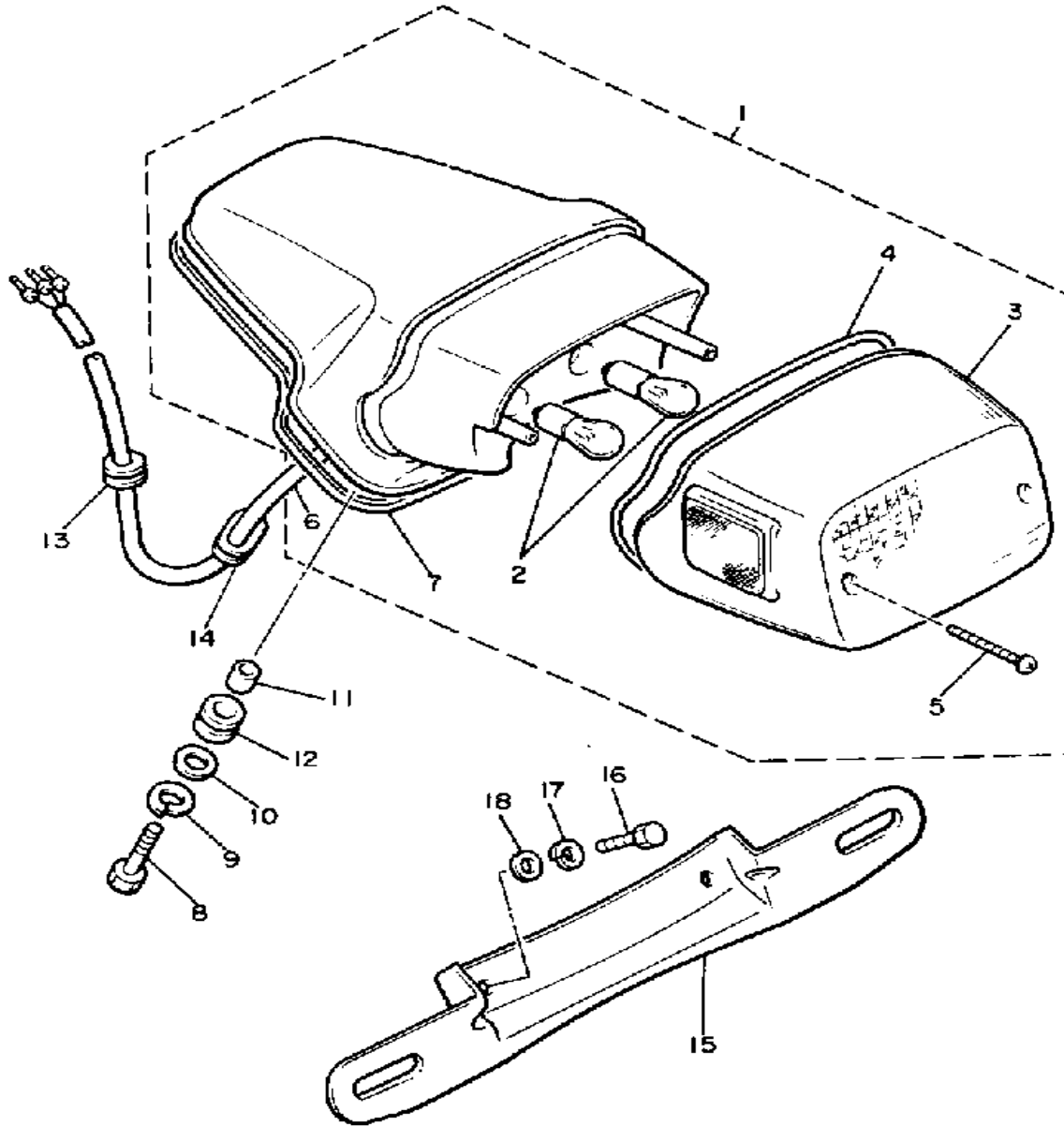
HEADLIGHT



42W110-4380

Ref. No.	Part Number	Description	Qty	Remarks
1	(SEE-NOTE--)	UNAVAILABLE IN PRICE BOOK	1	
2	(SEE-NOTE--)	. UNAVAILABLE IN PRICE BOOK	1	
3	5Y3-84395-00-00	. RING, RETAINING	1	
4	42X-84321-A0-00	. LENS ASSEMBLY	1	
5	2F9-84375-00-00	. SETTING PLATE, BULB	1	
6	2F9-84397-01-00	. COVER, SOCKET	1	
7	90157-04001-00	. SCREW, PAN HEAD	2	
8	1A0-84332-60-00	. SPRING, SCREW	2	
9	198-84334-60-00	. NUT, ADJUSTING	2	
10	1M1-84124-60-00	. SPRING, SET	1	
11	5V2-84314-00-XX	BULB, HL 12V60/55W (2F9-84314-00)	1	LM
12	(.SE-ENOTE--)	UNAVAILABLE IN PRICE BOOK	1	
	42X-W8432-10-00	UNAVAILABLE IN PRICE BOOK	1	
13	42X-84345-00-00	. DAMPER, HEADLIGHT	2	
14	42X-84338-00-00	. COLLAR, BODY FITTING	2	
15	42X-84366-00-00	. DAMPER, HEADLIGHT 1	1	
16	98580-05012-00	SCREW, PAN HEAD	2	
17	90201-06073-00	WASHER, PLATE	1	
18	97313-06016-00	BOLT, HEXAGON	1	
19	92995-06100-00	WASHER, SPRING	1	
20	91311-08055-00	BOLT, SOCKET HEAD	1	
21	42X-84318-00-00	STAY, HEADLIGHT 1	1	
22	91311-06020-00	BOLT, SOCKET HEAD	2	

TAILLIGHT

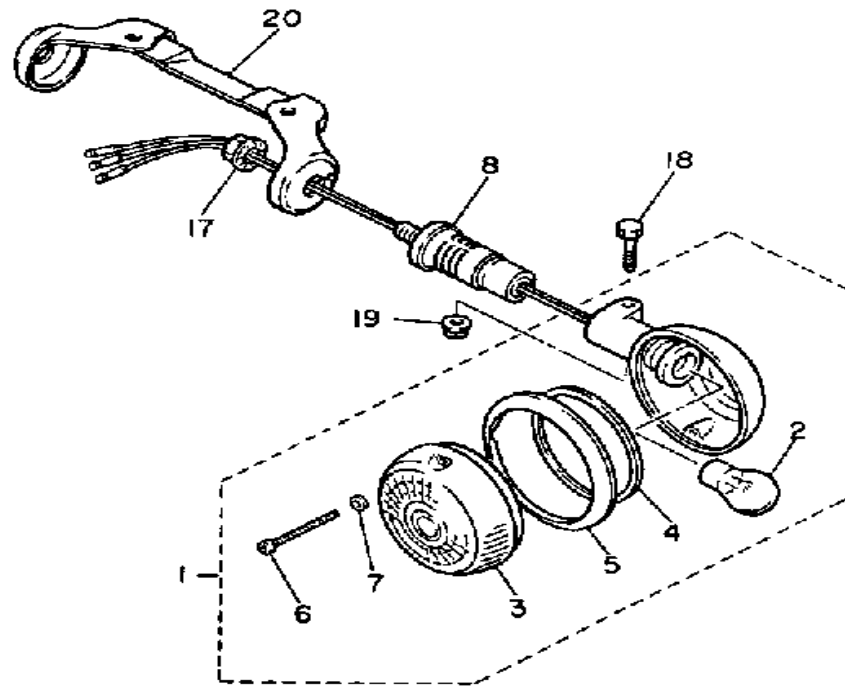
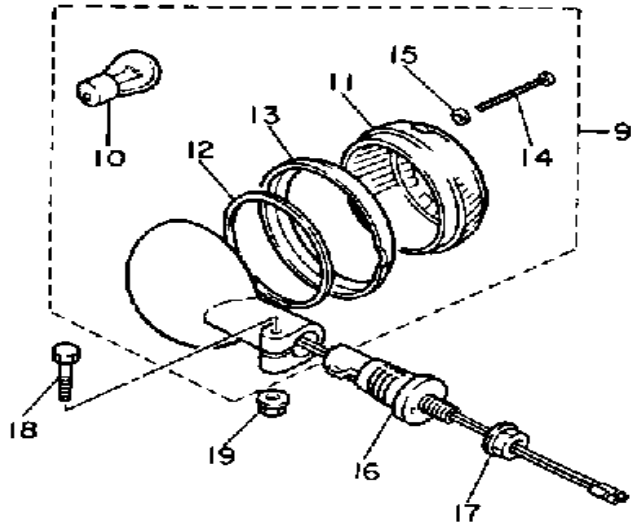


Ref. No.	Part Number	Description	Qty	Remarks
1	42X-84700-60-00	TAILLIGHT ASSEMBLY	1	
2	256-84714-61-00	. BULB (12V-27/8W)	2	
3	42X-84721-60-00	. LENS, TAILLIGHT	1	
4	42X-84723-01-00	. GASKET, TAIL LENS	1	
5	97780-40525-00	. SCREW, TAPPING	2	
6	42X-84717-00-00	. CORD, TAILLIGHT	1	
7	42X-84704-00-00	. GASKET, TAILLIGHT	1	
8	97011-06025-00	BOLT (97001-06025)	3	
9	92995-06100-00	WASHER, SPRING	3	
10	90201-06067-00	WASHER, PLATE	3	
11	90387-06026-00	COLLAR	3	
12	90480-14229-00	GROMMET	3	
13	90480-16112-00	GROMMET	1	
14	90480-15061-00	GROMMET	1	
15	42X-84751-00-00	BRACKET, LICENSE	1	CHROME-PLATED
16	97313-06016-00	BOLT, HEXAGON	2	
17	92995-06100-00	WASHER, SPRING	2	
18	90201-061A5-00	WASHER, PLATE	2	



42W110-4390

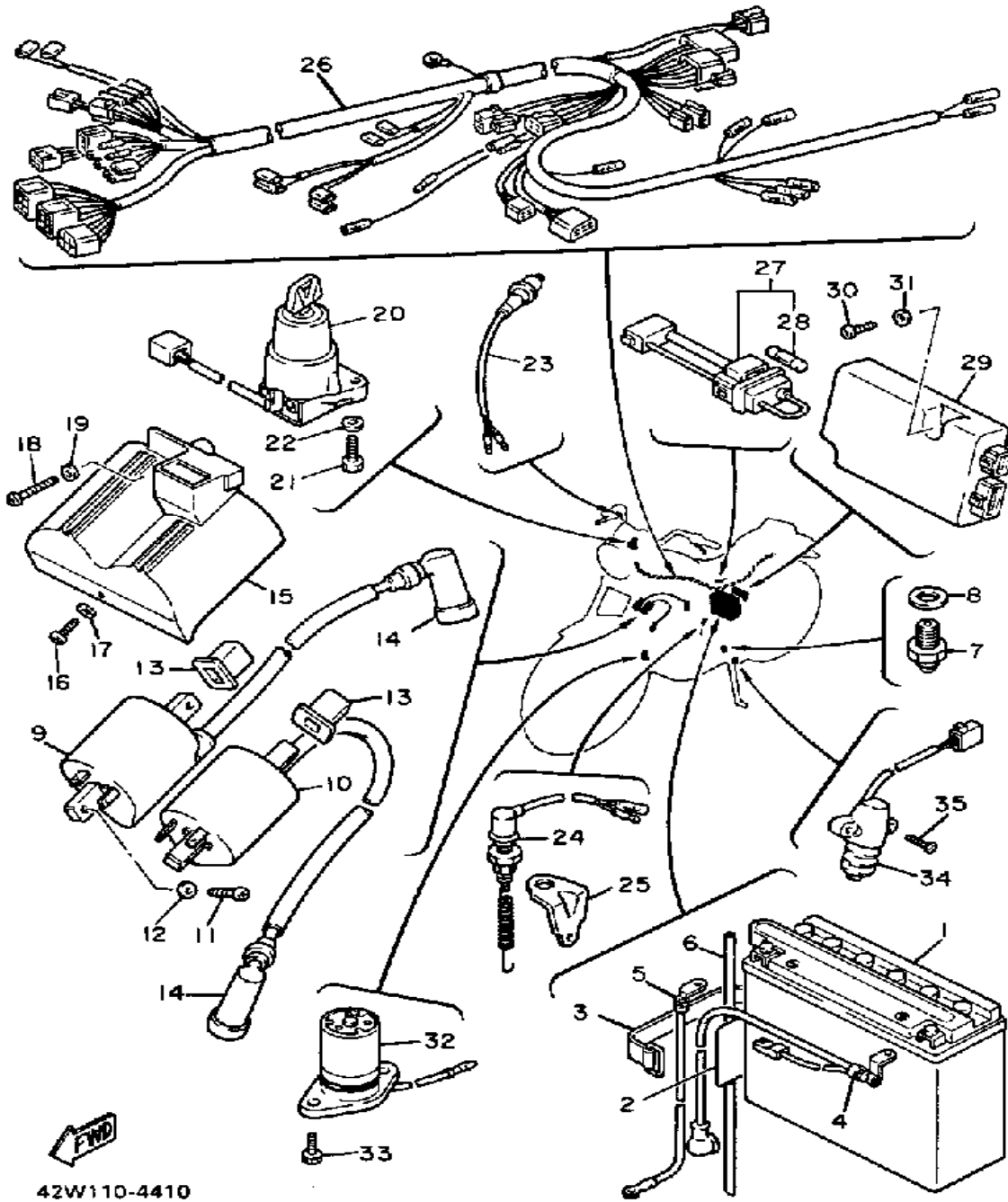
TURNSIGNAL



42W110-4360

Ref. No.	Part Number	Description	Qty	Remarks
1	42X-83310-K0-00	FRONT FLASHER LIGHT ASSEMBLY 1	2	
2	256-84714-61-00	. BULB (12V-27/8W)	1	
3	42X-83312-00-00	. LENS, FLASHER	1	
4	42X-83313-00-00	. GASKET, FLASHER LENS	1	
5	42X-83363-00-00	. LENS, RIM	1	
6	341-83333-70-00	. SCREW, LENS FITTING	2	
7	42X-83359-00-00	. WASHER, SPECIAL	2	
8	1AA-83318-00-00	STAY, FLASHER 1	2	
9	1AA-83330-K0-00	REAR FLASHER LIGHT ASSEMBLY 1	2	
10	256-83311-70-XX	. BULB, TS 12V27W	1	
11	42X-83312-00-00	. LENS, FLASHER	1	
12	42X-83313-00-00	. GASKET, FLASHER LENS	1	
13	42X-83363-00-00	. LENS, RIM	1	
14	341-83333-70-00	. SCREW, LENS FITTING	2	
15	42X-83359-00-00	. WASHER, SPECIAL	2	
16	1AA-83318-00-00	STAY, FLASHER 1	2	
17	95706-12500-00	NUT, FLANGE	4	
18	97021-06030-00	BOLT	4	
19	95701-06500-00	NUT, FLANGE	4	
20	42X-83328-00-00	STAY, FLASHER 2	1	

ELECTRICAL 1

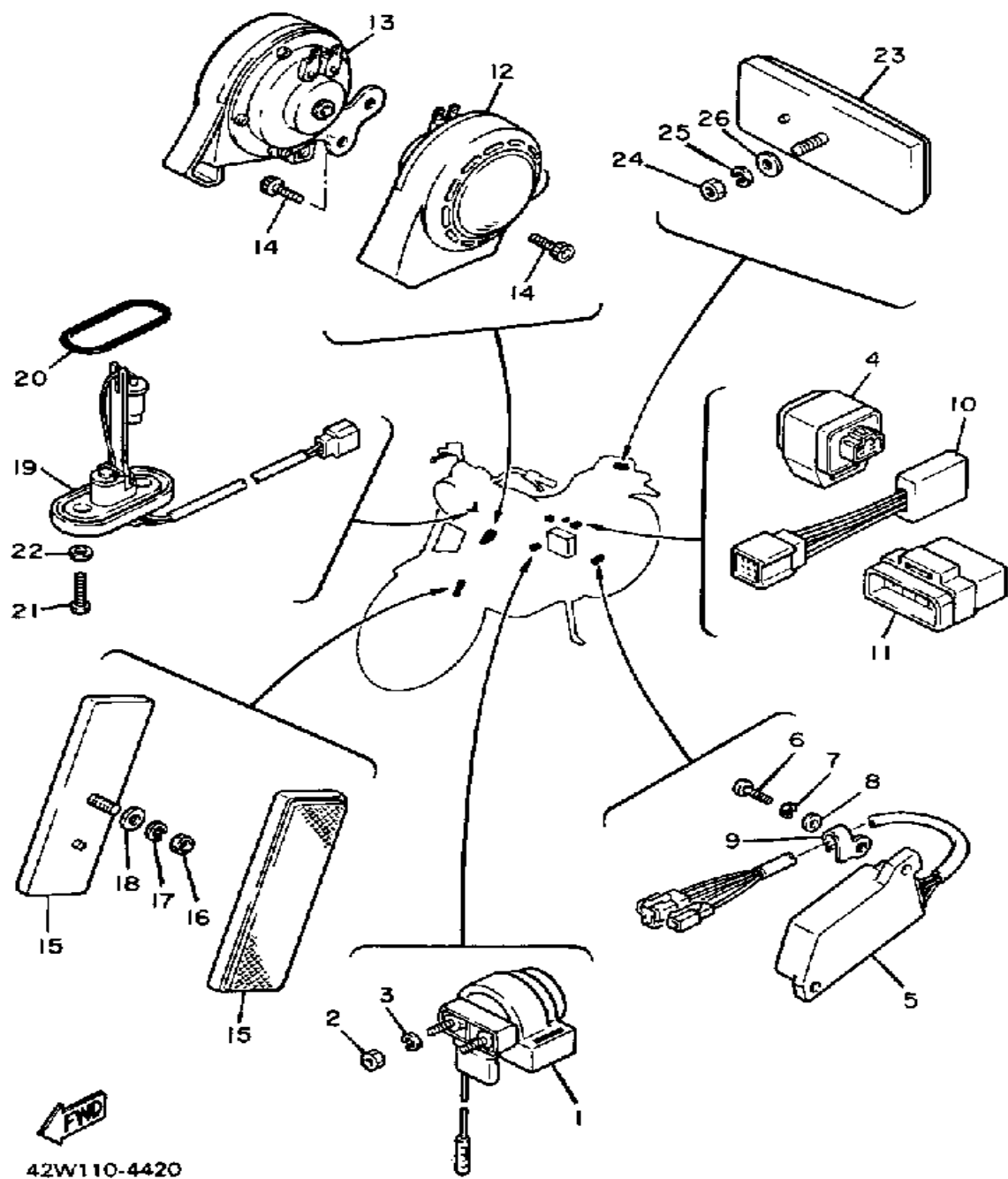


42W110-4410

Ref. No.	Part Number	Description	Qty	Remarks
1	BTY-YB16A-LA-20	BATTERY ASSEMBLY	1	
2	118-82141-09-00	LABEL, BATTERY	1	
3	1E6-82131-00-00	BAND, BATTERY	1	
4	42X-82115-00-00	WIRE, PLUS LEAD	1	
5	42X-82116-00-00	WIRE, MINUS LEAD	1	
6	90445-081A9-00	HOSE	1	
7	2H7-82540-00-00	NEUTRAL SWITCH ASSEMBLY	1	
8	90430-10171-00	GASKET	1	
9	42X-82310-70-00	IGNITION COIL ASSEMBLY ...	1	
10	42X-82320-70-00	IGNITION COIL ASSEMBLY ...	1	
11	98580-05020-00	SCREW, PAN HEAD	2	
12	92901-05600-00	WASHER, PLATE	2	
13	42X-82317-00-00	DAMPER, IGNITION COIL	2	
14	1J7-82370-00-00	PLUG CAP ASSEMBLY	2	
15	42X-82314-01-00	COVER, IGNITN COIL (L/LC) ..	1	L/LC
	57A-82314-00-00	COVER, IGNITION COIL	1	N/NC
16	98516-06012-00	SCREW, PAN HEAD	1	
17	92906-06600-00	WASHER	1	
18	98506-06025-00	SCREW, PAN HEAD	1	
19	92906-06600-00	WASHER	1	
20	42X-82501-50-00	MAIN SWITCH STEERING LOCK	1	
21	97313-06016-00	BOLT, HEXAGON	2	
22	90201-061A5-00	WASHER, PLATE	2	
23	1A0-83980-30-00	STOP SWITCH ASSEMBLY ...	1	
24	42X-82530-02-00	STOP SWITCH ASSEMBLY ...	1	
25	42X-82539-00-00	STAY, STOP SWITCH	1	
26	57A-82590-50-00	WIRE HARNESS ASSEMBLY ..	1	
27	4X7-82150-00-00	FUSE HOLDER ASSEMBLY ...	1	

CONTINUED ON NEXT FRAME ►

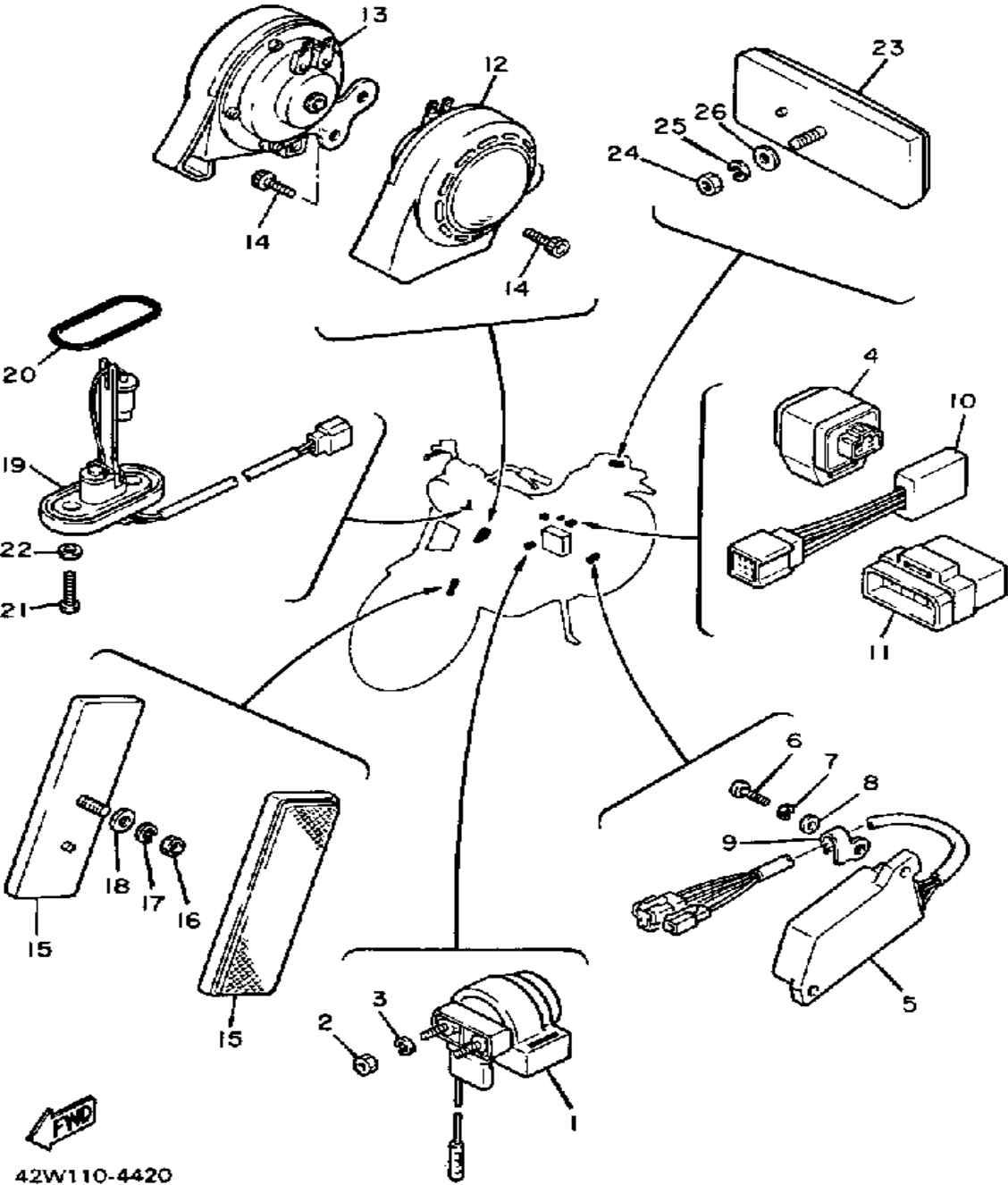
ELECTRICAL 2



Ref. No.	Part Number	Description	Qty	Remarks
1	42X-81940-00-00	STARTER SWITCH ASSEMBLY	1	
2	95380-06700-00	NUT	2	
3	92995-06100-00	WASHER, SPRING	2	
4	4U8-81950-02-00	RELAY ASSEMBLY. (4U8-81950-00)	1	
5	42X-81960-A1-00	RECTIFIER & REGULATOR ASSEMBLY	1	
6	98503-06014-00	SCREW, PAN HEAD (92502-06016)	2	
7	92995-06100-00	WASHER, SPRING	2	
8	90201-061A5-00	WASHER, PLATE	2	
9	90465-10264-00	CLAMP	1	
10	4U8-81980-M0-00	DIODE ASSEMBLY	1	
11	41R-83350-71-00	FLASHER RELAY ASSEMBLY	1	
12	1RM-83371-00-00	HORN	1	
13	56F-83371-31-00	UNAVAILABLE IN PRICE BOOK (42X-83371-30)	1	
14	91316-06012-00	BOLT, SOCKET HEAD	2	
15	42X-85110-00-00	REFLECTOR ASSEMBLY	2	
16	95311-05700-00	NUT	2	
17	92990-05100-00	WASHER, SPRING	2	
18	92990-05200-00	WASHER, PLAIN	2	
19	42X-85752-01-00	SENDER UNIT ASSEMBLY, FUEL METER	1	
20	42X-85753-00-00	GASKET, SENDER UNIT	1	
21	90149-06011-00	SCREW	2	
22	90202-05187-00	WASHER, PLATE	2	
23	2EN-85130-00-00	REAR REFLECTOR ASSEMBLY	1	
24	95311-05700-00	NUT	1	
25	92990-05100-00	WASHER, SPRING	1	

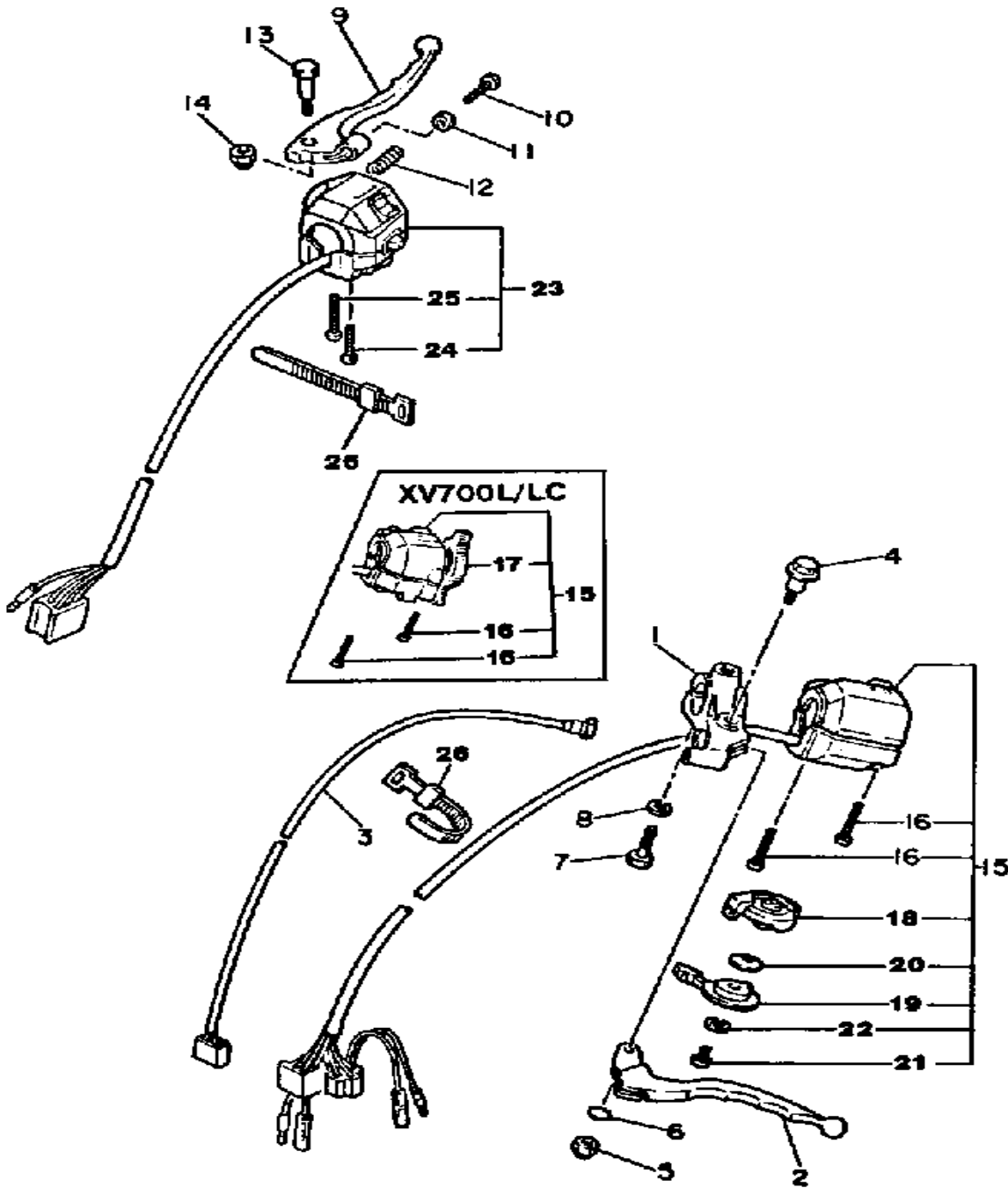
CONTINUED ON NEXT FRAME ►

ELECTRICAL 2



Ref. No.	Part Number	Description	Qty	Remarks
26	92990-05200-00	WASHER, PLAIN	1	

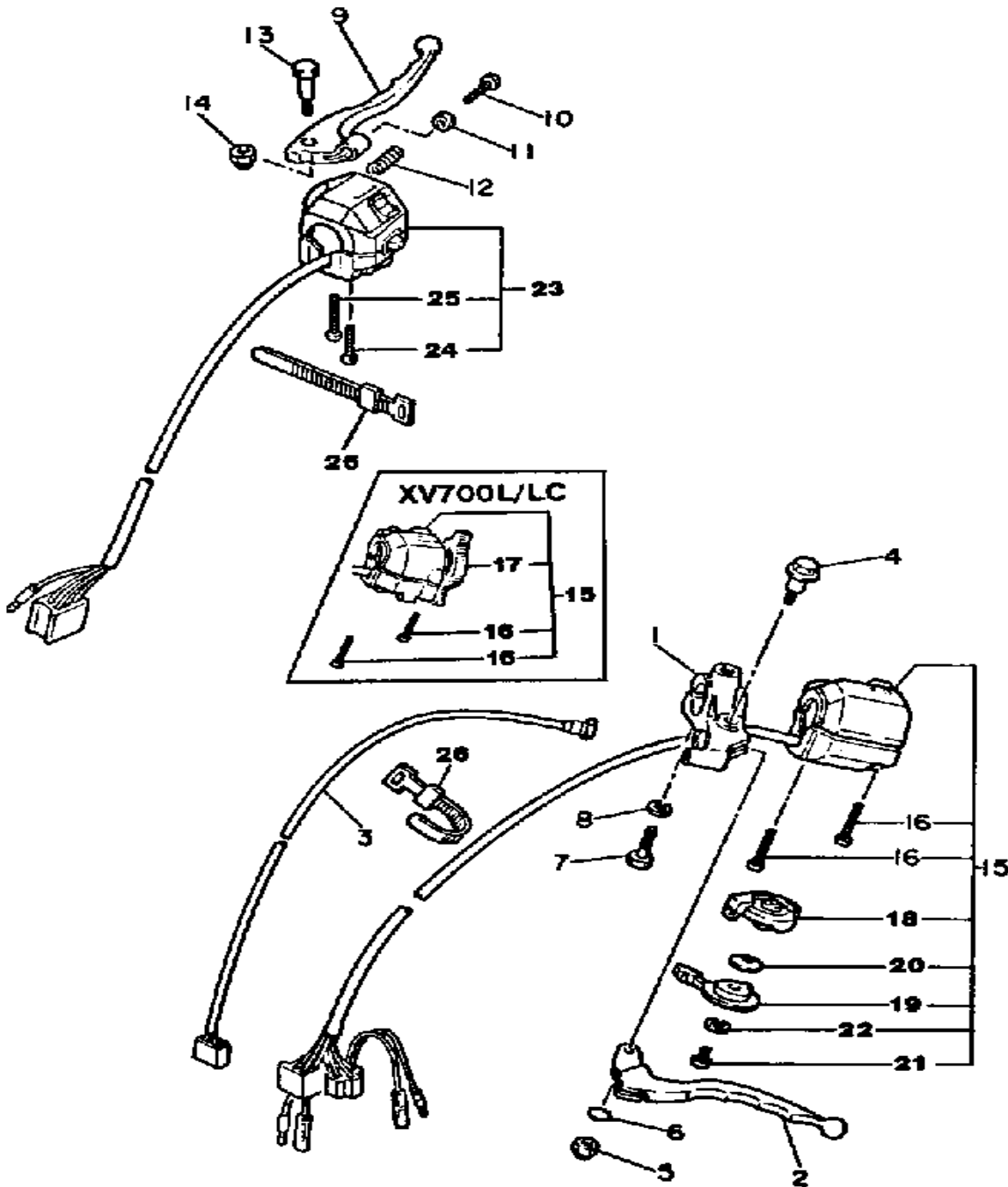
HANDLE SWITCH-LEVER



Ref. No.	Part Number	Description	Qty	Remarks
1	10M-82911-00-00	HOLDER, LEVER 1	1	
2	10W-83912-00-00	LEVER L	1	L/LC
	57A-83912-01-00	LEVER 1	1	N/NC
3	3Y6-82917-00-00	SWITCH	1	
4	90109-06797-00	BOLT	1	
5	95616-06100-00	NUT, U	1	
6	93210-11368-00	O-RING	1	
7	97006-06022-00	BOLT	1	
8	92906-06100-00	WASHER, SPRING	1	
9	4L0-83922-00-00	LEVER RH	1	
	57A-83922-01-00	LEVER 2	1	N/NC
10	90149-06131-00	SCREW	1	L/LC
	90149-06153-00	SCREW, SPEC'L SHAPE	1	N/NC
11	90170-06010-00	NUT	1	
12	90501-10312-00	SPRING, COMPRESSION	1	
13	90109-06465-00	BOLT	1	L/LC
	90109-06577-00	BOLT	1	N/NC
14	95601-06100-00	NUT, U	1	
15	2UJ-83973-00-00	SWITCH, HANDLE 3	1	N/NC
	42X-83973-00-00	SWITCH, HANDLE 3 (LEFT)	1	L/LC
16	98506-05035-00	SCREW, PAN HEAD	2	
17	58L-83960-00-00	CHOKE RING ASSEMBLY	1	L/LC
18	10M-83942-00-00	COVER, STARTER	1	N/NC
19	10M-83941-00-00	LEVER, STARTER	1	N/NC
20	90209-10131-00	WASHER	1	N/NC
21	98580-06008-00	SCREW, PAN HEAD	1	N/NC
22	92995-06100-00	WASHER, SPRING	1	
23	42X-83975-01-00	SWITCH, HANDLE 2 (1AA-83975-00)	1	

CONTINUED ON NEXT FRAME ►

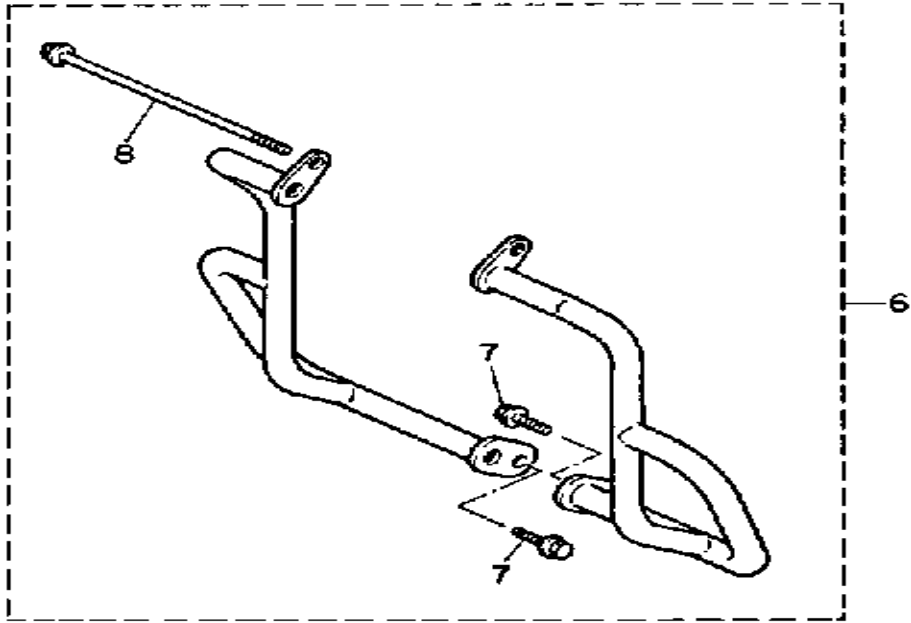
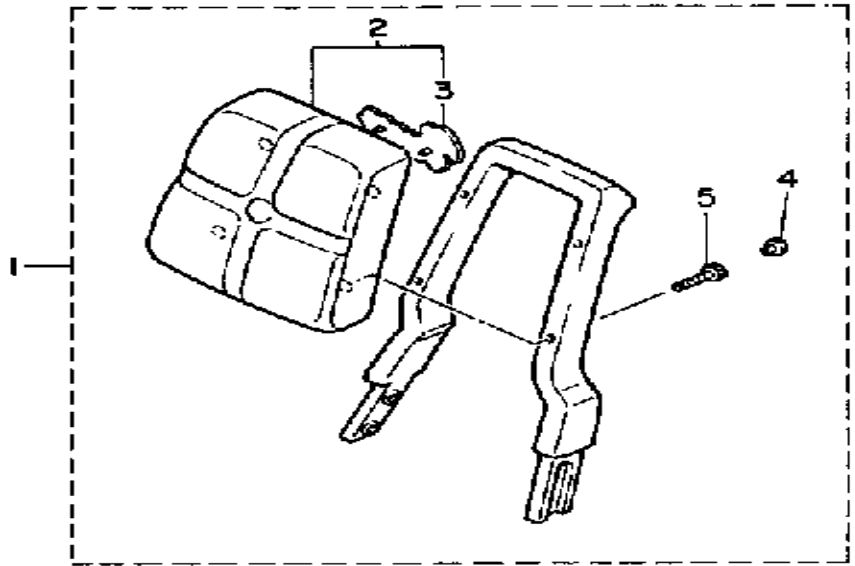
HANDLE SWITCH-LEVER



Ref. No.	Part Number	Description	Qty	Remarks
24	98506-05040-00	. SCREW, PAN HEAD	1	
25	98506-05040-00	. SCREW, PAN HEAD	1	
26	437-83936-01-00	BAND, SWITCH CORD	4	

ALTERNATE CHASSIS

Ref. No.	Part Number	Description	Qty	Remarks
1	(56E-W0772-00-00)	85"XV700 S"BAR&PAD	1	ALT. PRT
2	1TA-2840F-00-00	. BACK REST ASSEMBLY	1	
3	42H-24786-00-00	.. EMBLEM	1	
4	90338-06162-00	. PLUG	4	
5	91311-06035-00	. BOLT, SOCKET HEAD	4	
6	ABA-3CF31-00-00	XV1100/750/700 E/G (42H-W0741-01)	1	ALT. PRT
7	95811-10025-00	. BOLT, FLANGE	2	
8	95811-10205-00	. BOLT, FLANGE	1	



42W110-4430

TOP END GASKET KIT

Ref. No.	Part Number	Description	Qty	Remarks
8	341-12119-02-00	. SEAL, VALVE STEM	4	
	3EG-14613-00-00	. GASKET, EXHAUST PIPE ...	2	
	3JL-11351-00-00	. GASKET, CYLINDER	2	
	42X-W0001-00-XX	GASKTKIT TE XV7 0		
	4DW-12213-00-00	. GASKET, TENSIONER CASE .	4	
	4X7-11181-00-00	. GASKET, CYLINDER HEAD 1	2	
	4X7-11355-00-00	. SEAL, CYLINDER 1	2	
	4X7-13556-00-00	. GASKET, MANIFOLD	2	
	90430-15169-00	GASKET	3	
	90430-17168-00	. GASKET	6	
	93210-07438-00	. O-RING	2	
	93210-44545-00	O-RING	2	
	93210-62446-00	. O-RING	4	
	93210-89447-00	. O-RING	2	
	93210-92448-00	. O-RING	2	

XV700N/NC 1985 SERVICE DATA

MODEL - IBM I.D. NUMBER	XV700N - 56E	XV700NC - 56F
Initial Engine Number / Frame Number	See Page 2	
Fuel Type / Total Fuel Tank Capacity / Reserve Cap.	Regular / 12.5 Lit (3.3 gal) / 2.5 Lit (0.6 gal)	

ENGINE TYPE	4-Stroke, SOHC, V-Twin		
Bore / Stroke / Number Cylinders / Displacement	80.2mm / 69.2mm / 2 / 699cc		
Compression Ratio/Compression Pressure Min~Max	9.0:1 / 9 ~ 12 kg/cm ² (127 ~ 170 psi)		
Piston Skirt Clearance New / Max	0.040 ~ 0.060mm / 0.10mm		
Ring End Gap Top / 2nd / 3rd	0.20 ~ 0.40mm / 0.20 ~ 0.40mm / 0.20 ~ 0.70mm		
Valve Clearance (Cold) Intake / Exhaust	0.07 ~ 0.12mm / 0.12 ~ 0.17mm		
Oiling System	Wet Sump		
Capacity: Dry	3600cc (3.9 qt)		
Oil & Filter Change / Oil Change Only	3100cc (3.3 qt) / 3000cc (3.2 qt)		
Oil Filter Part Number	4X7-13440-90-00		
Lubricant: Temp Above 5°C (40°F)	Yamalube 4* or SAE 20W40 SE or SF		
Temp Below 15°C (60°F)	SAE 10W30 SE or SF		
Cooling System / Capacity / Cap Opening Pressure	Air / ∅ / ∅		
Coolant Type / Mixing Ratio	∅ / ∅		

AUTOLUBE - Min Stroke / Color Code	∅		
Minimum Output @ 200 Cycles	∅		
Maximum Output @ 200 Cycles	∅		

CARBURETOR - Manufacturer / Type / I.D. Number	Hitachi / HSC40 / N:56E-00 NC:56F-00		
Main Jet / Pilot Jet / Pilot Screw (Turns Out)	#1: 128 / 42 #2: 132 / 42 / NA		
Needle Jet / Jet Needle-Clip Position	3.2 / Y-32 Fixed		
Slide Cutaway	∅		
Float Level / Fuel Level	18.5 ± 0.5mm / 0.0 ± 1.0mm		
Idle rpm	1000 rpm		
Max CO _e / Max HC _e / Set CO	6.0% / 700 ppm / 3.0%		

SUSPENSION			
Front: Oil Type / Level / Qty	10 wt. Fork Oil* / 155mm / 389cc		
Gas Pressure Min ~ Max / Standard	∅		
Spring Length Standard	513mm		
Rear: Gas Pressure Min ~ Max / Standard	∅		
Minimum Brake Lining Thickness Front / Rear	0.5mm / 2.0mm		
Tire Size / Nominal Pressure: Front	100 / 90H19 / 1.8 kg/cm ² (26 psi)		
Rear	140 / 90H15 / 2.0 kg/cm ² (28 psi)		

TRANSMISSION - Oil Type / Qty Change / Qty Dry	See ENGINE Above		
Secondary Drive Type / Teeth / Chain	Shaft / 49-44 x 19-18 x 32-11 / ∅		
Middle Gear Case Capacity	∅		
Final Gear Case Capacity	200cc		
Gear Case Lubricant	SAE 80W90 Hypoid Gear Oil GL-4		

SERVICE COPY	SER MGR	MECH	MECH	MECH	BINDER
OFFICE COPY	GEN MGR	SALES	PARTS	BINDER	PAGE 1 OF 2

CHARGING SYSTEM	AC Generator
Battery: Model / Specific Gravity / Charge Rate	YB16AL (12V16A) / 1.280 / 1.6A
Maximum Output	16A @ 5000 rpm
Field Coil Color Code / Ω	∅
Stator Coil Color Code / Ω	Wht ~ Wht / 0.5Ω ± 10%
Charge Coil Color Code / Ω	∅

IGNITION SYSTEM	Transistor Controlled Ignition
Ignition Timing	10° @ 1000 rpm Full Adv: 35° @ 3600 rpm
Spark Plug Type	NGK BP7ES or ND W22EP-U
Spark Plug Gap / Torque / Cap Ω	0.7 ~ 0.8mm / 2.0 m-kG (14 ft-lbs) / 5KΩ
Ignition Coil Test Gap / Primary Ω / Secondary Ω	6mm / 2.7Ω ± 15% / 11.0KΩ ± 15%
Pulser Coil or Pickup Coil Color Code / Ω	Brn ~ Grn, Red ~ Blu / 155Ω ± 20%
Source Coil Color Code / Ω	∅

LIGHTING SYSTEM	
Headlight / Taillight / Signal Rating	12V60-55W / 12V27-8W / 12V27W
Lighting Coil Color Code / Ω	∅

TORQUE VALUES	
Front Axle Nut	M14: 10.7 m-kG (7.5 ft-lbs)
Front Axle Holder Nut	M8: 2.0 m-kG (14 ft-lbs)
Rear Axle Nut	M14: 10.7 m-kG (7.5 ft-lbs)
Rear Axle Pinch Bolt	M8: 0.6 m-kG (4.3 ft-lbs)
Clutch Nut	M20: 7.0 m-kG (31 ft-lbs)
Drain Plug	M14: 4.3 m-kG (31 ft-lbs)
Flywheel Nut	M14: 17.5 m-kG (125 ft-lbs)
Cylinder Head Cover	∅
Cylinder Head:	Nut M10: 4.0 m-kG (25 ft-lbs) Bolt M8: 2.0 m-kG (14 ft-lbs)
	Nut #1: M12: 5.0 m-kG (36 ft-lbs) Nut #2: M12: 6.4 m-kG (46 ft-lbs)
Engine Mounting Bolts:	M12: 5.4 m-kG (39 ft-lbs)
	M10: 5.5 m-kG (40 ft-lbs)

Initial Engine Number / Frame Number	XV700N:56E-000101 / JYA56E00()FA000101
	XV700NC:56F-000101 / JYA56F00()FA000101

∅ = Does Not Apply to This Model
NA = Information Not Available

* = Available from YPDI
⊕ = For Diagnostic Use Only

SERVICE LITERATURE

PUBLICATION	PART NUMBER	REMARKS
Owner's Manual	LIT-11626-04-50	Same as XV700L/LC Same as XV700L/LC
Service Manual	LIT-11616-04-13	
Assembly Manual	LIT-11666-04-13	
Consumer Info.	LIT-11656-04-05	

CHARGING SYSTEM	
Battery: Model / Specific Gravity / Charge Rate	YB16AL (12V16A) / 1.280 / 1.6A
Maximum Output	16A @ 5000 rpm
Field Coil Color Code / Ω	ϕ
Stator Coil Color Code / Ω	Wht ~ Wht / $0.5\Omega \pm 10\%$
Charge Coil Color Code / Ω	ϕ

IGNITION SYSTEM	
Ignition Timing	10° @ 1000 rpm Full Adv: 35° @ 3600 rpm
Spark Plug Type	NGK BP7ES or ND W22EP-U
Spark Plug Gap / Torque / Cap Ω	0.7 ~ 0.8mm / 2.0 m·kg (14 ft·lbs) / 5K Ω
Ignition Coil Test Gap / Primary Ω / Secondary Ω	6mm / 2.7 $\Omega \pm 15\%$ / 11.0K $\Omega \pm 15\%$
Pulser Coil or Pickup Coil Color Code / Ω	Brn ~ Grn, Red ~ Blu / 155 $\Omega \pm 20\%$
Source Coil Color Code / Ω	ϕ

LIGHTING SYSTEM	
Headlight / Taillight / Signal Rating	12V60-55W / 12V27-8W / 12V27W
Lighting Coil Color Code / Ω	ϕ

TORQUE VALUES	
Front Axle Nut	M14: 10.7 m·kg (7.5 ft·lbs)
Front Axle Holder Nut	M8: 2.0 m·kg (14 ft·lbs)
Rear Axle Nut	M14: 10.7 m·kg (7.5 ft·lbs)
Rear Axle Pinch Bolt	M8: 0.6 m·kg (4.3 ft·lbs)
Clutch Nut	M20: 7.0 m·kg (31 ft·lbs)
Drain Plug	M14: 4.3 m·kg (31 ft·lbs)
Flywheel Nut	M14: 17.5 m·kg (125 ft·lbs)
Cylinder Head Cover	ϕ
Cylinder Head:	Nut M10: 4.0 m·kg (25 ft·lbs) Bolt M8: 2.0 m·kg (14 ft·lbs)
	Nut #1: M12: 5.0 m·kg (36 ft·lbs) Nut #2: M12: 6.4 m·kg (46 ft·lbs)
Engine Mounting Bolts:	M12: 5.4 m·kg (39 ft·lbs)
	M10: 5.5 m·kg (40 ft·lbs)

Initial Engine Number / Frame Number	XV700N:56E-000101 / JYA56E00()FA000101
	XV700NC:56F-000101 / JYA56F00()FA000101

ϕ = Does Not Apply to This Model
NA = Information Not Available

* = Available from YPDI
⊗ = For Diagnostic Use Only

SERVICE LITERATURE

PUBLICATION	PART NUMBER	REMARKS
Owner's Manual	LIT-11626-04-50	
Service Manual	LIT-11616-04-13	Same as XV700/LC
Assembly Manual	LIT-11666-04-13	Same as XV700/LC
Consumer Info.	LIT-11656-04-05	