

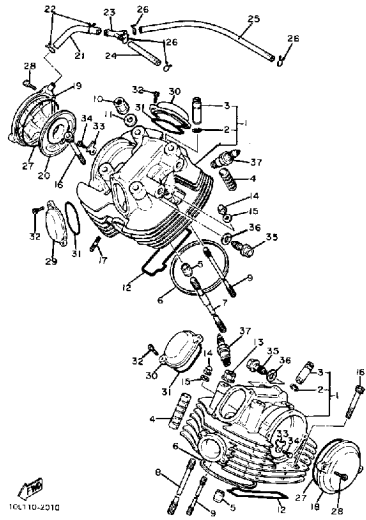
YAMAHA

GENUINE

PARTS CATALOGUE

MOTORCYCLE

CYLINDER HEAD

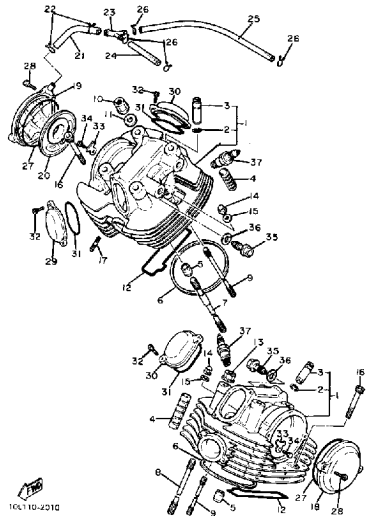


Spark Plug Type	NGK BP7ES
Spark Plug Gap / Torque / Cap. 0	0.7 ~ 0.8mm / 2.0 m·kg / 5K 0 ± 15%
Cylinder Head	Nut 10 x 1.25: 4.0 m·kg Bolt 8 x 1.25: 2.0 m·kg Nut#1: 12 x 1.25: 5.0 m·kg Nut#2: 12 x 1.25: 6.4 m·kg apply oil

Ref. No.	Part Number	Description	Qty	Remarks
1	5H1-11110-00-00	CYLINDER HEAD ASSEMBLY .	2	
2	93440-14086-00	. CIRCLIP, OUTER	2	
3	4X7-11133-10-00	. GDE, INTK VLV 1 O/S	2	1ST O/S
4	4X7-11127-00-00	ABSORBER 3	8	
5	91800-06030-00	PIN, DOWEL	4	
6	5H1-11181-00-00	GASKET, CYLINDER HEAD 1 .	2	
7	4X7-11363-01-00	BOLT, CYLINDER HOLDING 3 .	4	
8	90116-12469-00	BOLT, STUD	4	
9	90116-10344-00	BOLT, STUD	2	
10	90179-12326-00	NUT, SPEC'L SHAPE	4	
11	90201-125A3-00	WASHER, PLATE	4	
12	4X7-11355-00-00	SEAL, CYLINDER 1	2	
13	90179-12325-00	NUT	4	
14	90176-10049-00	NUT, CROWN	2	
15	90201-102G9-00	WASHER, PLATE	2	
16	91311-08050-00	BOLT, SOCKET HEAD	4	
17	95611-08625-00	BOLT, STUD	4	
18	4X7-11185-00-00	CVR, CYLINDER HD SIDE 1 . . .	1	
19	5A8-1111H-00-00	COVER, CYLINDER.HEAD 4 . .	1	
20	4X7-11165-00-00	PLATE, BREATHER	1	
21	90445-16641-00	HOSE	1	
22	90467-14015-00	CLIP	2	
23	10L-1131H-00-00	JOINT 1	1	
24	90445-10625-00	HOSE	1	
25	90445-10624-00	HOSE	1	
26	90467-09006-00	CLIP	4	
27	93210-92448-00	O-RING	2	
28	91311-06025-00	BOLT, SOCKET HEAD	4	
29	4X7-11186-00-00	COVER, CYLINDER.HEAD 2 . .	2	

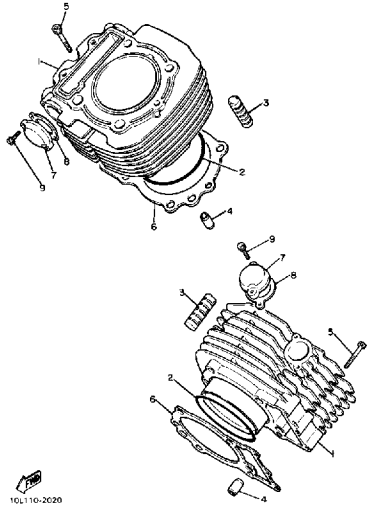
CONTINUED ON NEXT FRAME ➤

CYLINDER HEAD



Spark Plug Type	NGK BP7ES
Spark Plug Gap / Torque / Cap Oil	0.7 ~ 0.8mm / 2.0 m·kg / SK Oil ± 15%
Cylinder Head	Nut 10 x 1.25: 4.0 m·kg Bolt 8 x 1.25: 2.0 m·kg Nut 12 x 1.25: 5.0 m·kg Bolt 12 x 1.25: 6.4 m·kg/apply Oil

Ref. No.	Part Number	Description	Qty	Remarks
30	4X7-11187-00-00	COVER, CYLINDER.HEAD 3	2	
31	93210-62446-00	O-RING	4	
32	91311-06016-00	BOLT, SOCKET HEAD	8	
33	4X7-1111F-00-00	PLATE	2	
34	97313-08020-00	BOLT, HEXAGON	2	
35	90401-16065-00	BOLT, UNION	2	
36	90430-17168-00	GASKET	2	
37	NGK-BP7ES-00-00	PLUG, SPARK (NGK BP-7ES)	2	



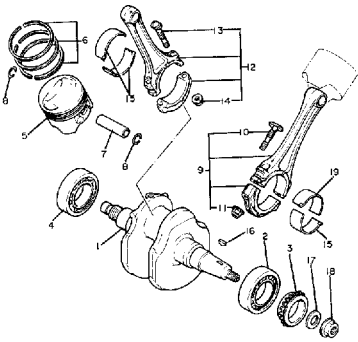
10L-110-2000

ENGINE TYPE	
Stroke	50.8mm
Stroke/Number of Cylinders/Displacement	92.2mm / 50.2mm / 2 / 926cc
Compression Ratio/Compression Pressure Min/Max	8.3:1 / 9.5 kg/cm ²

CYLINDER

Ref. No.	Part Number	Description	Qty	Remarks
1	10L-11310-00-00	CYLINDER	2	
2	93210-97524-00	O-RING	2	
3	4X7-11161-00-00	ABSORBER 1	4	
4	90387-087A5-00	COLLAR	4	
5	91311-06040-00	BOLT	6	
6	3EG-11351-00-00	GASKET, CYLINDER	2	
7	4X7-12215-00-00	CAP, TENSIONER CASE	2	
8	4DW-12213-00-00	GASKET, TENSIONER CASE ..	2	
9	91311-06025-00	BOLT, SOCKET HEAD	4	

CRANKSHAFT-PISTON

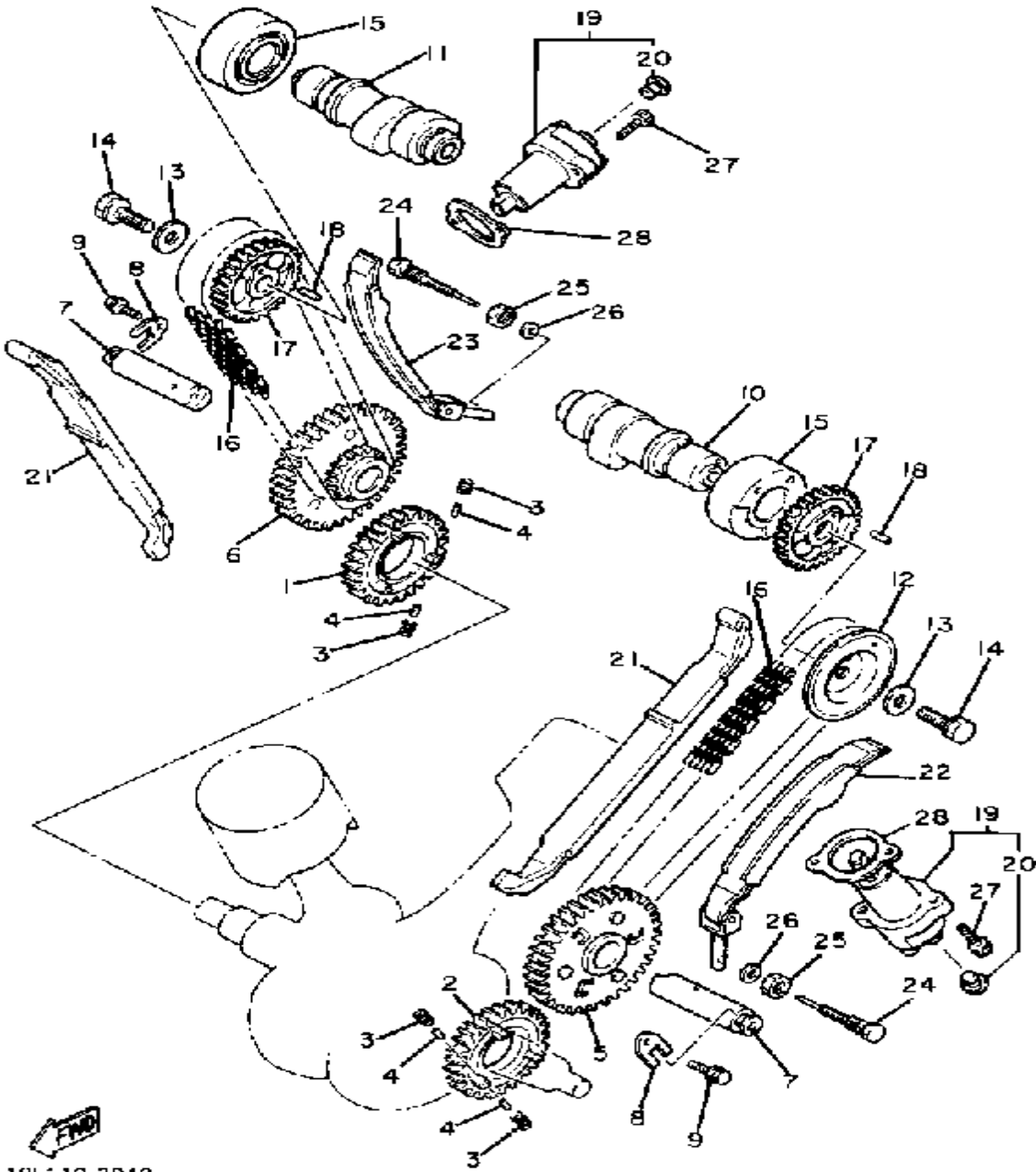


Piston Skirt Clearance New / Max	0.045 ~ 0.065mm / 0.4mm
Ring End Gap Top / 2nd / 3rd	0.2 ~ 0.4mm / 0.2 ~ 0.4mm / 0.3 ~ 0.6mm

SH1110-1022

Ref. No.	Part Number	Description	Qty	Remarks
1	99999-01673-00	CRANKSHAFT	1	
2	93306-30808-00	BEARING (3EF)	1	
3	4X7-13354-00-00	SPROCKET, DRIVE	1	
4	93306-30808-00	BEARING (3EF)	1	
5	(5H1-11636-00-00)	PISTON 2 O/S 0. 0	2	ALTERNATE PART
	5H1-11631-00-A0	PISTON STD	2	
	5H1-11635-00-00	PISTON 1 O/S 0. 5	2	ALTERNATE PART
6	5H1-11610-00-00	PISTON RINGSET STD	2	
	5H1-11610-10-00	PISTON RINGSET 1ST	2	ALTERNATE PART
	5H1-11610-20-00	PISTON RINGSET 2ND	2	ALTERNATE PART
7	5A8-11633-00-00	PIN, PISTON	2	
8	93450-24028-00	CIRCLIP	4	
9	5A8-11650-00-00	CONN.ROD.ASSEMBLY.	1	
10	4X7-11654-01-00	. BOLT, CON ROD	2	
11	90179-09379-00	. NUT, SPEC'L SHAPE	2	
12	5A8-11660-00-00	CONNECTING ROD ASSEMBLY	1	
13	4X7-11654-01-00	. BOLT, CON ROD	2	
14	90179-09379-00	. NUT, SPEC'L SHAPE	2	
15	4X7-11656-00-00	PLANE BRNG, CON ROD	3	U.R. BLUE
	4X7-11656-10-00	PLANE BRNG, CON ROD	3	U.R. BLACK
	4X7-11656-20-00	PLANE BRNG, CON ROD	3	U.R. BROWN
	4X7-11656-30-00	PLANE BRNG, CON ROD	3	U.R. GREEN
	4X7-11656-40-00	PLANE BRNG, CON ROD	3	U.R. YELLOW
16	90280-16053-00	KEY, WOODRUFF	1	
17	90201-140A6-00	WASHER, PLATE	1	
18	90179-14317-00	NUT, SPEC'L SHAPE	1	
19	5G5-11656-00-00	PLANE BRNG, CON ROD	1	U.R. BLACK
	5G5-11656-10-00	PLANE BRNG, CON ROD	1	U.R. BROWN
	5G5-11656-20-00	PLANE BRNG, CON ROD	1	U.R. GREEN

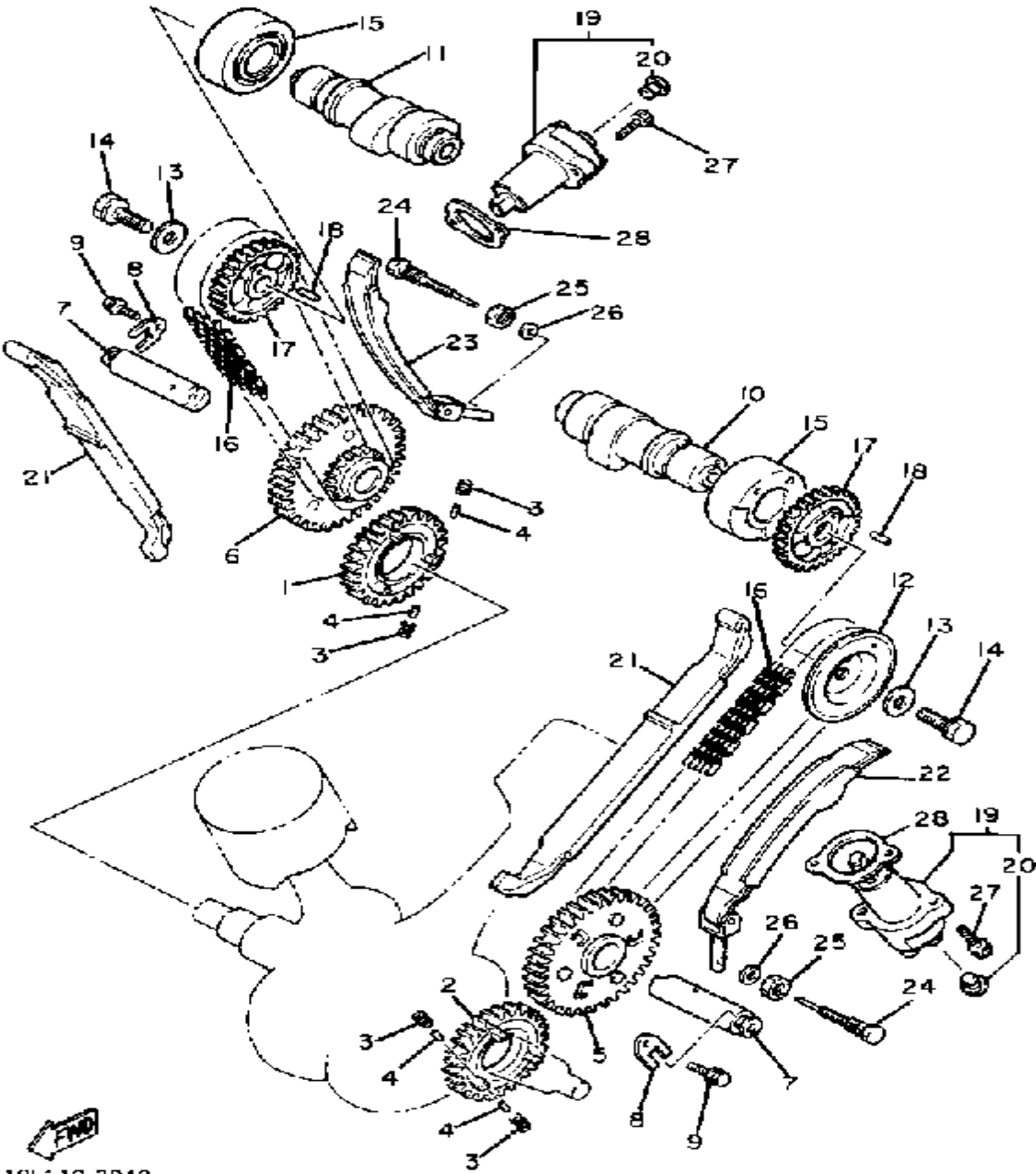
CAMSHAFT-CHAIN



Ref. No.	Part Number	Description	Qty	Remarks
1	4X7-11536-00-00	GEAR, DRIVE (35T)	1	
2	4X7-11534-00-00	GEAR, BREAKER DRIVE	1	
3	90501-21133-00	SPRING, COMPRESSION	12	
4	93605-10090-00	PIN, DOWEL	12	
5	4X7-11540-01-00	CM CHN SPRKT ASSEMBLY 1 (20/50T)	1	
6	4X7-11550-00-00	CAM CHAIN SPRKT 2 (20/50T)	1	
7	4X7-12247-01-00	SHAFT, TENSIONER	2	
8	90209-06205-00	WASHER, SPEC'L SHAP	2	
9	90105-06154-00	BOLT, WASHER BASED	2	
10	10L-12171-01-00	CAMSHAFT 1	1	
11	10L-12181-01-00	CAMSHAFT 2	1	
12	4X7-11145-00-00	PLATE, BREATHER 2	1	
13	90201-10774-00	WASHER, PLATE	2	
14	90101-10303-00	BOLT	2	
15	90380-25125-00	BUSH, SOLID	2	
16	94590-45098-00	CHAIN, CAM	2	
17	4X7-12176-00-00	SPROCKET, CAM CHAIN	2	
18	93604-10011-00	PIN, DOWEL	2	
19	4X7-12210-01-00	TENSNR ASSEMBLY, CAM CHN	2	
20	90338-06121-00	. PLUG, SPEC'L SHAPE	1	
21	4X7-12231-00-00	GUIDE, STOPPER 1	2	
22	4X7-12241-00-00	GUIDE, STOPPER 2	1	
23	4X7-12221-00-00	GUIDE, STOPPER 3	1	
24	90109-08592-00	BOLT	2	
25	95303-08700-00	NUT	2	
26	92901-06600-00	WASHER	2	
27	91311-06025-00	BOLT, SOCKET HEAD	4	

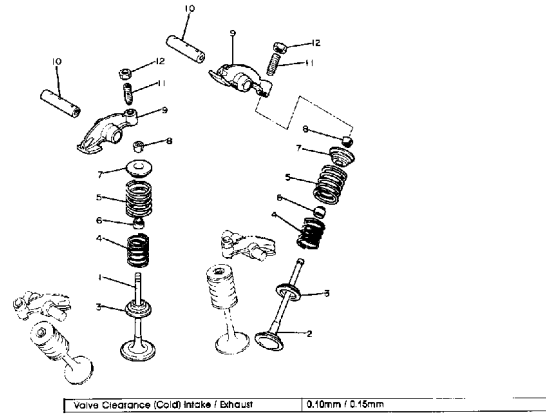
CONTINUED ON NEXT FRAME ►

CAMSHAFT-CHAIN



10L 10-2040

Ref. No.	Part Number	Description	Qty	Remarks
28	4DW-12213-00-00	GASKET, TENSIONER CASE . .	2	

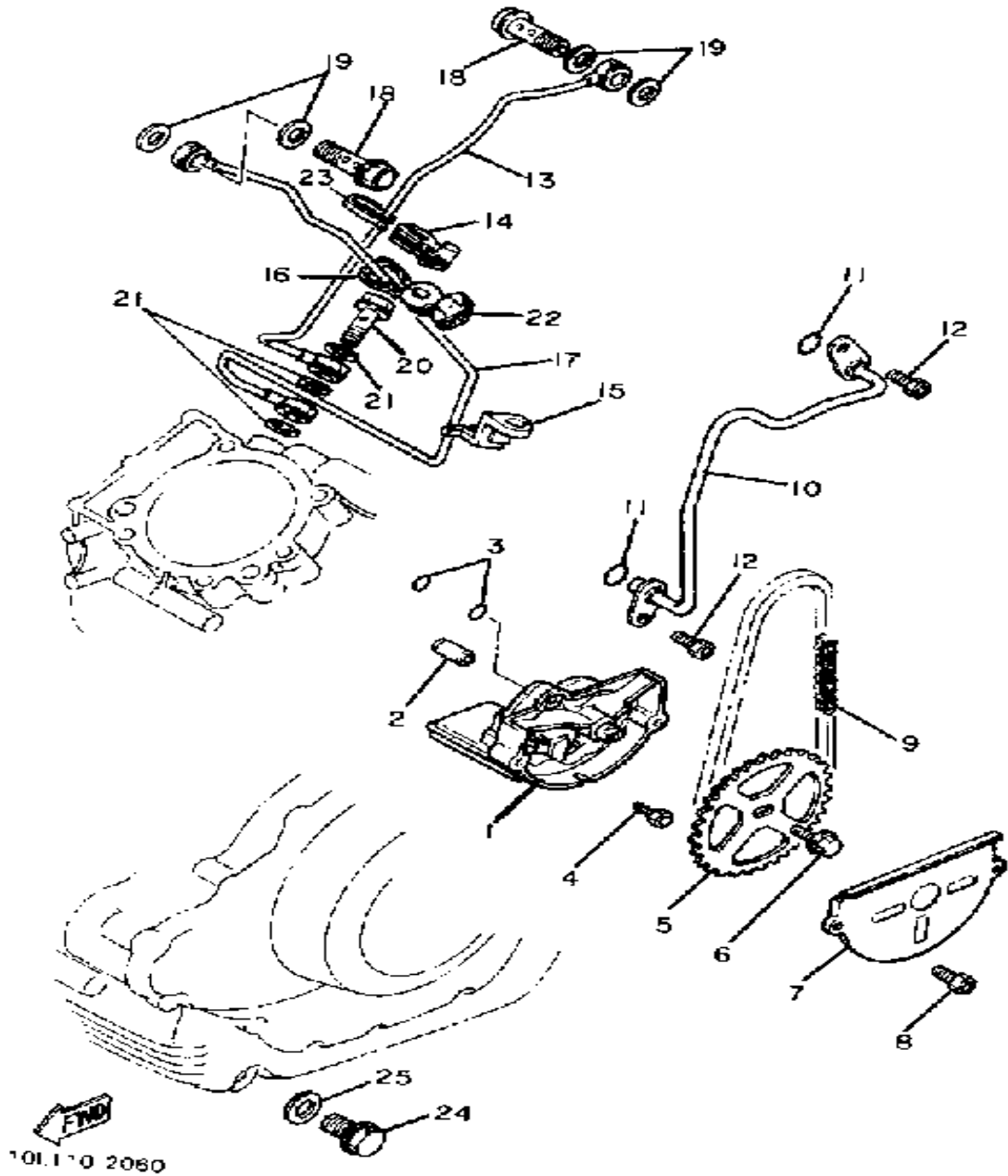


SE3171-1050

VALVE

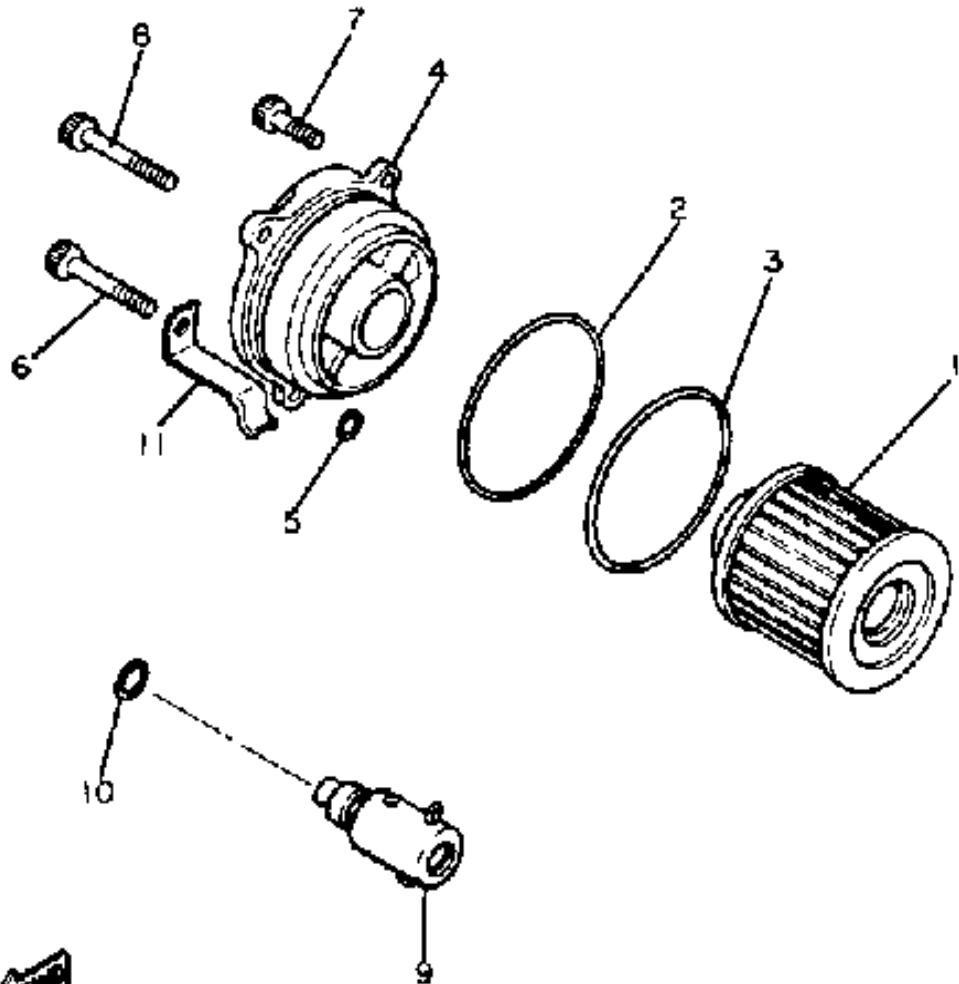
Ref. No.	Part Number	Description	Qty	Remarks
1	2J2-12111-01-00	VALVE, INTAKE 1	2	
2	5A8-12121-00-00	VALVE, EXHAUST	2	
3	4X7-12116-00-00	SEAT, VALVE SPRING	4	
4	90501-31454-00	SPRING, COMPRESSION	4	
5	90501-44455-00	SPRING, COMPRESSION	4	
6	341-12119-02-00	SEAL, VALVE STEM	4	
7	4X7-12117-00-00	RETAINER, VALVE SPR	4	
8	4X7-12118-00-00	COTTER, VALVE	8	
9	42X-12151-00-00	ARM, VALVE ROCKER (4X7-12151-00)	4	
10	4X7-12156-01-00	SHAFT, ROCKER	4	
11	4X7-12159-00-00	SCREW, VALVE ADJUSTING ..	4	
12	90170-08173-00	NUT, HEXAGON	4	

OIL PUMP



Ref. No.	Part Number	Description	Qty	Remarks
1	10L-13300-00-00	OIL PUMP ASSEMBLY	1	
2	99510-08016-00	PIN, DOWEL	1	
3	93210-07438-00	O-RING	2	
4	91316-06040-00	BOLT, SOCKET HEAD	3	
5	4X7-13355-00-00	SPROCKET, DRIVEN	1	
6	90105-06154-00	BOLT, WASHER BASED	1	
7	10L-13327-00-00	COVER, PUMP GEAR	1	
8	91316-06010-00	BOLT, SOCKET HEAD	2	
9	94580-25066-00	CHAIN 4 7	1	
10	4X7-13171-00-00	PIPE, DELIVERY 2	1	
11	93210-07438-00	O-RING	2	
12	91316-06010-00	BOLT, SOCKET HEAD	2	
13	4X7-13405-00-00	OIL PIPE CMLPT 1	1	
14	4X7-15485-01-00	CLAMP	1	
15	4X7-15484-00-00	CLAMP 2	1	
16	90468-05113-00	CLIP	1	
17	4X7-13406-00-00	OIL PIPE CMLPT 2	1	
18	90401-16067-00	BOLT, UNION	2	
19	90430-17168-00	GASKET	4	
20	90401-10102-00	BOLT, UNION	1	
21	90430-15169-00	GASKET	3	
22	4X7-15485-01-00	CLAMP	1	
23	90468-05113-00	CLIP	1	
24	90340-14118-00	PLUG, STRAIGHT	1	
25	214-11198-01-00	GASKET	1	

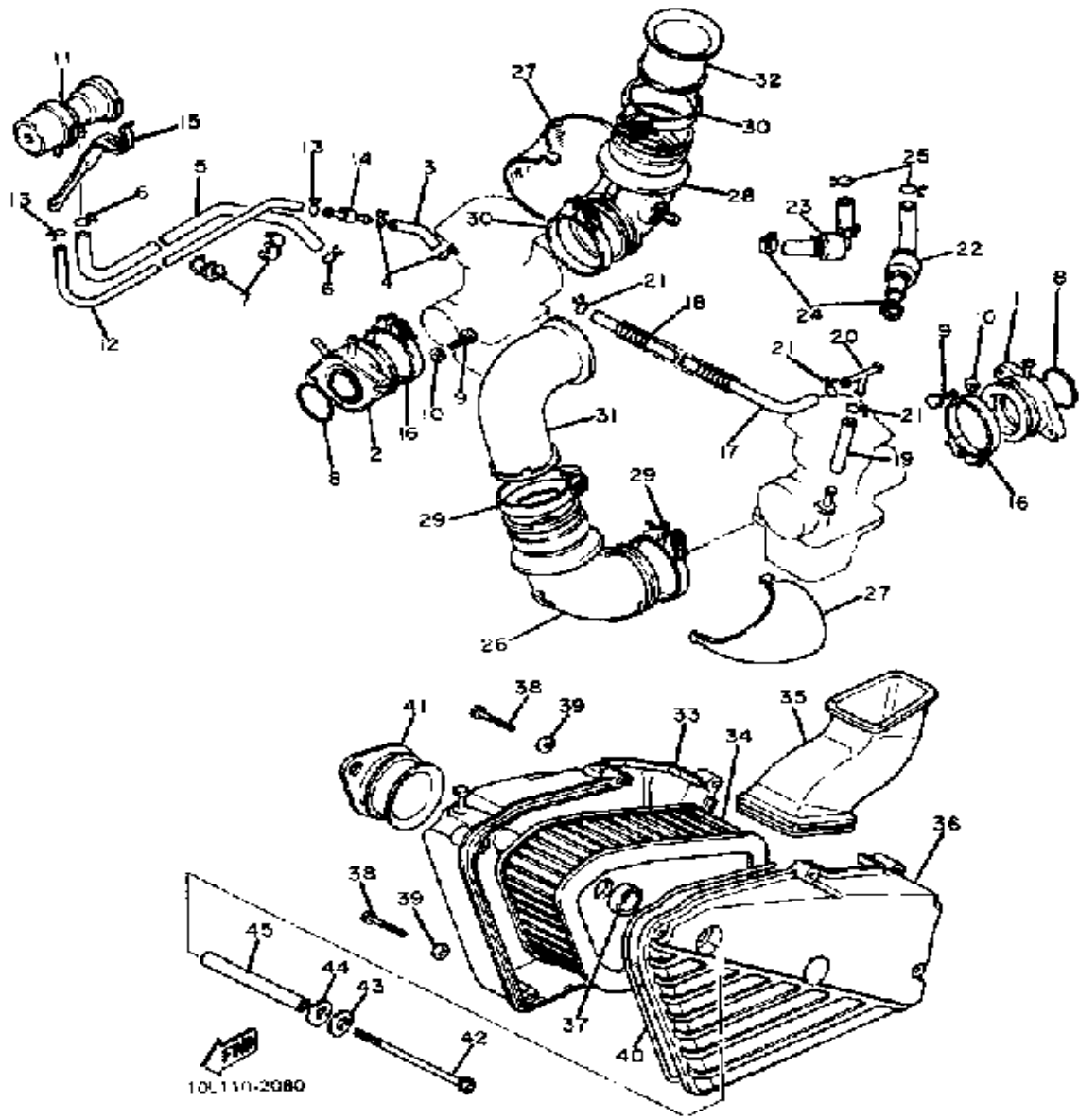
OIL FILTER



Ref. No.	Part Number	Description	Qty	Remarks
1	4X7-13440-90-00	ELMNT ASSEMBLY, OIL CLNR	1	
2	93210-58346-00	O-RING	1	
3	93210-54452-00	O-RING	1	
4	4X7-13447-01-00	COVER, OIL ELEMENT	1	
5	93210-07438-00	O-RING	1	
6	90109-06667-00	BOLT	1	
7	91311-06020-00	BOLT, SOCKET HEAD	1	
8	91311-06050-00	BOLT, SOCKET HEAD	1	
9	11H-13490-00-00	RELIEF VALVE ASSEMBLY	1	
10	93210-10096-00	O-RING	1	
11	90462-10098-00	CLAMP	1	

 5F3171-1070

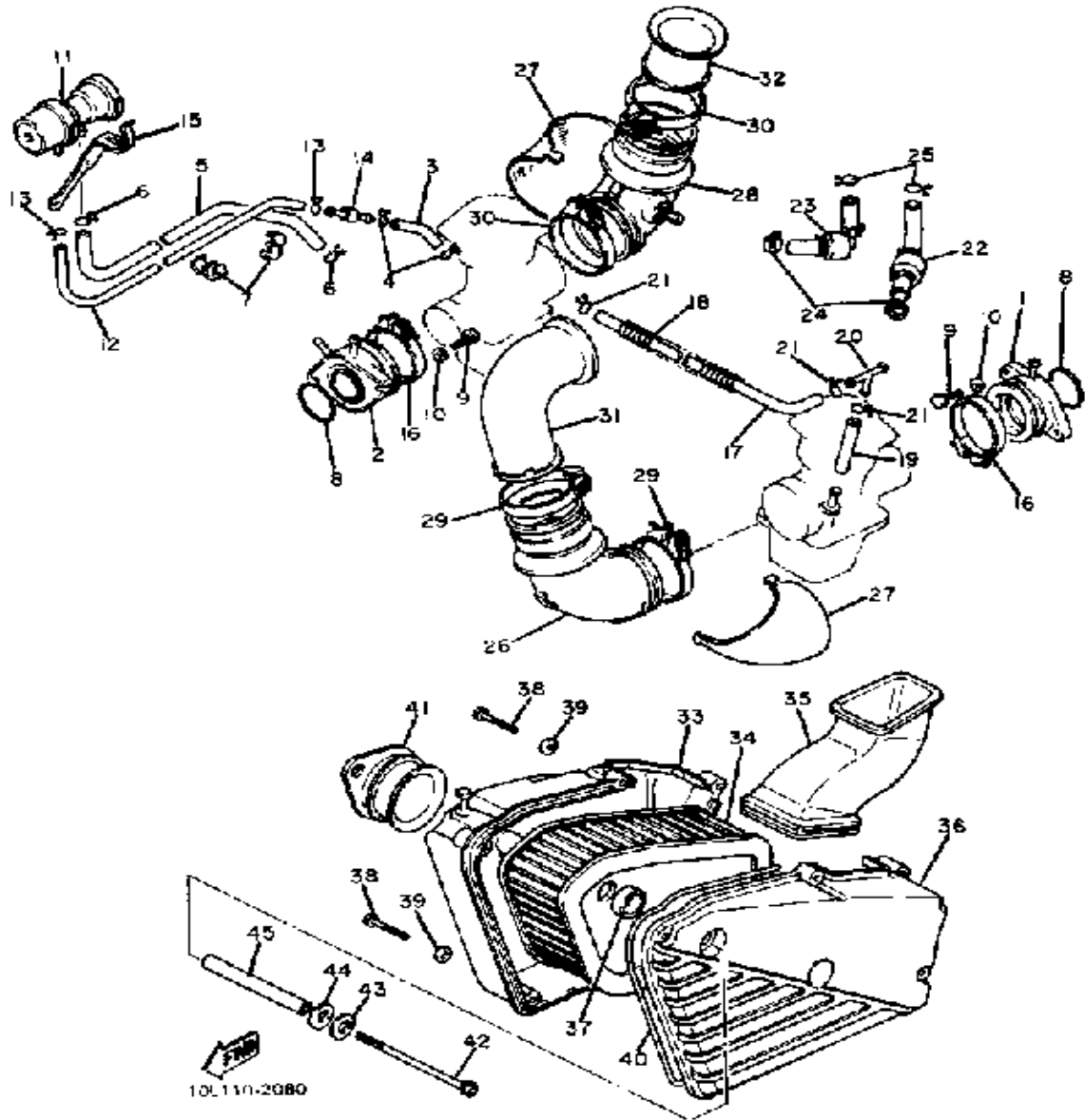
AIR CLEANER



Ref. No.	Part Number	Description	Qty	Remarks
1	10L-13586-01-00	. JOINT, CARBURETOR 1	1	
	90460-59213-00	. CLAMP, HOSE	1	
	93210-44545-00	. O-RING	1	
	99999-01416-00	JOINT, CARB (LH-4X7) (10L-13586-00)	1	
2	10L-13596-01-00	. JOINT, CARBURETOR 2	1	
	90460-59213-00	. CLAMP, HOSE	1	
	93210-44545-00	. O-RING	1	
	99999-01417-00	JOINT, CARB (RH-4X7) (10L-13596-00)	1	
3	4X7-13544-00-00	HOSE, VAC SENSING 2	1	
4	90467-08003-00	CLIP	2	
5	4X7-13543-01-00	HOSE, AIR	1	
6	90467-10008-00	CLIP	2	
7	90468-02111-00	CLIP	2	
8	93210-44545-00	O-RING	2	
9	97011-06020-00	BOLT	4	
10	92901-06600-00	WASHER	4	
11	4X7-13541-00-00	VALVE, MIX CONTROL	1	
12	4X7-13542-00-00	HOSE, VAC SENSING 1	1	
13	90467-07029-00	CLIP	2	
14	10L-14489-00-00	NOZZLE	1	
15	90462-08092-00	CLAMP	1	
16	90460-58015-00	CLAMP, HOSE	2	
17	10L-13926-00-00	HOSE	1	
18	90501-08668-00	SPRING, COMPRESSION	1	
19	(90445-11615-00)	HOSE	1	
20	90413-07007-00	WAY 3	1	
21	90467-10008-00	CLIP	3	

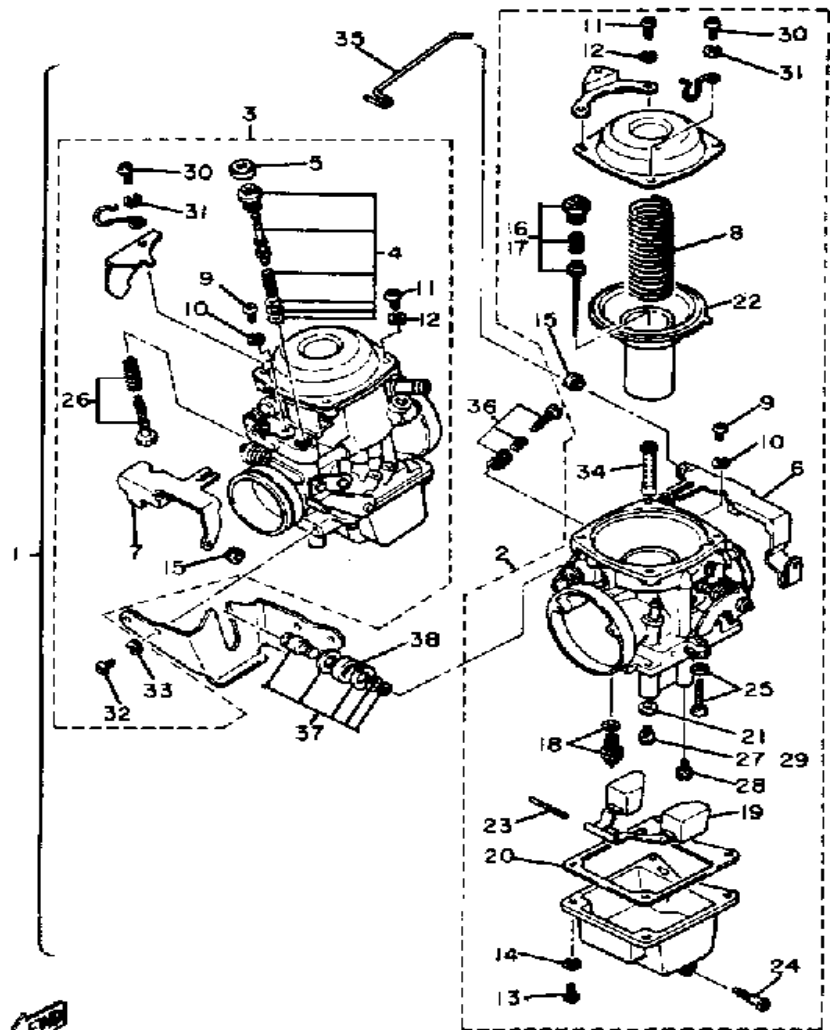
CONTINUED ON NEXT FRAME ►

AIR CLEANER



Ref. No.	Part Number	Description	Qty	Remarks
22	4X7-14197-02-00	PIPE, AIRVENT	1	
23	4X7-14987-02-00	HOSE	1	
24	90467-14057-00	CLIP	2	
25	90467-14015-00	CLIP	2	
26	10L-14463-00-00	JOINT, AIR CLNR 2	1	
27	10L-14407-00-00	COVER, JOINT	2	
28	10L-14463-10-00	JOINT, AIR CLNR 2	1	
29	90460-65195-00	CLAMP, HOSE	2	
30	90460-65195-00	CLAMP, HOSE	2	
31	4X7-14469-00-00	FUNNEL, AIR	1	
32	4X7-14479-00-00	FUNNEL	1	
33	10L-14401-00-00	AIR CLNR CASE ASSEMBLY .	1	
34	10L-14451-00-00	ELEMENT, AIR CLNR	1	
35	10L-14437-00-00	DUCT	1	
36	10L-14422-00-00	CAP, CLEANER CASE 2	1	
37	4X7-14457-00-00	SEAL	2	
38	98506-05035-00	SCREW, PAN HEAD	5	
39	92906-05600-00	WASHER, PLATE	5	
40	1VJ-14462-00-00	SEAL	1	
41	4X7-1441J-00-00	PIPE, SILENCER	1	
42	91311-06100-00	BOLT, SOCKET HEAD	2	
43	90201-06M02-00	WASHER, PLATE	2	
44	90202-10120-00	WASHER, PLATE	2	
45	90560-06203-00	SPACER	2	

CARBURETOR



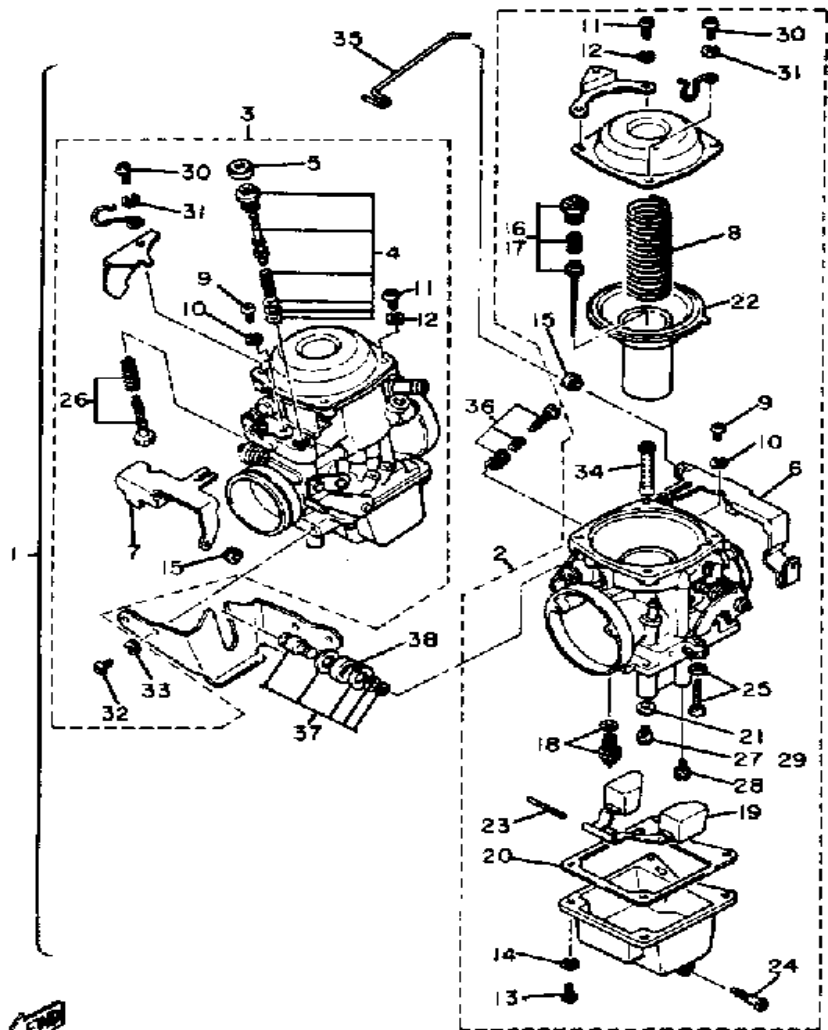
10L110-2090

CARBURETOR - Mfr. / Type / I.D. Number	Hitachi / HSC40 / 10L-00
Main Jet / Pilot Jet	#1 Cylinder: 126, #2 Cylinder: 128 / 41
Needle Jet / Jet Needle-Clip Position	ø / #1 Cylinder: Y-25 #2 Cylinder: Y-24
Slide Cutaway or Throttle Valve	13°
Float Level / Fuel Level	15.8 ± 0.5mm / #1: 1.0 ± 1.0mm #2: 2.0 ± 1.0mm
Idle rpm	1000
Max CO ₂ / Max HC ₂ / Set CO	6% / 500 ppm / 2% [All Settings @ Idle]

Ref. No.	Part Number	Description	Qty	Remarks
1	ø10-L1490-00-00	UNAVAILABLE IN PRICE BOOK	1	N/A
2	10L-14901-00-00	.. CARBURETOR ASSEMBLY 1	1	
3	10L-14902-00-00	.. CARBURETOR ASSEMBLY 2	1	
4	4X7-14371-01-00	.. PLUNGER, STARTER	2	
5	4H7-14173-00-00	.. COVER, PLUNGER CAP ...	2	
6	(4X7-14975-00-00)	LEVER, STARTER 1	1	
7	4X7-14976-00-00	.. LEVER, STARTER 2	1	
8	4X7-14933-10-00	.. SPRING, DIAPHRAGM	2	
9	98580-04008-00	.. SCREW, PAN HEAD	4	
10	92901-04100-00	.. WASHER, SPRING	4	
11	98580-05012-00	.. SCREW, PAN HEAD	6	
12	92990-05100-00	.. WASHER, SPRING	6	
13	98580-05016-00	.. SCREW, PAN HEAD	8	
14	92990-05100-00	.. WASHER, SPRING	8	
15	(4X7-14998-00-00)	BUSH	2	
16	4X7-14916-24-00	.. NEEDLE	1	
17	4X7-14916-25-00	.. NEEDLE	1	
18	10L-14390-02-00	.. NEEDLE VALVE ASSEMBLY (4X7-14390-00)	2	
19	10L-14985-01-00	.. FLOAT	2	
20	4X7-14984-01-00	.. GASKET, FLOAT CHMBR ..	2	
21	4H7-14945-00-00	.. WASHER, MAIN JET	2	
22	4X7-14940-01-00	.. DIAPHRAGM ASSEMBLY ..	2	
23	4H7-14186-00-00	.. PIN, FLOAT	2	
24	4X7-14191-01-00	.. PLUG, DRAIN	2	
25	4X7-14321-01-00	.. SCREW, THROTTLE	1	
26	4X7-14121-01-00	.. SCREW, THRTL STOPSPRING 1	1	
27	4X7-14925-28-00	.. JET, MAIN	1	

CONTINUED ON NEXT FRAME ➤

CARBURETOR

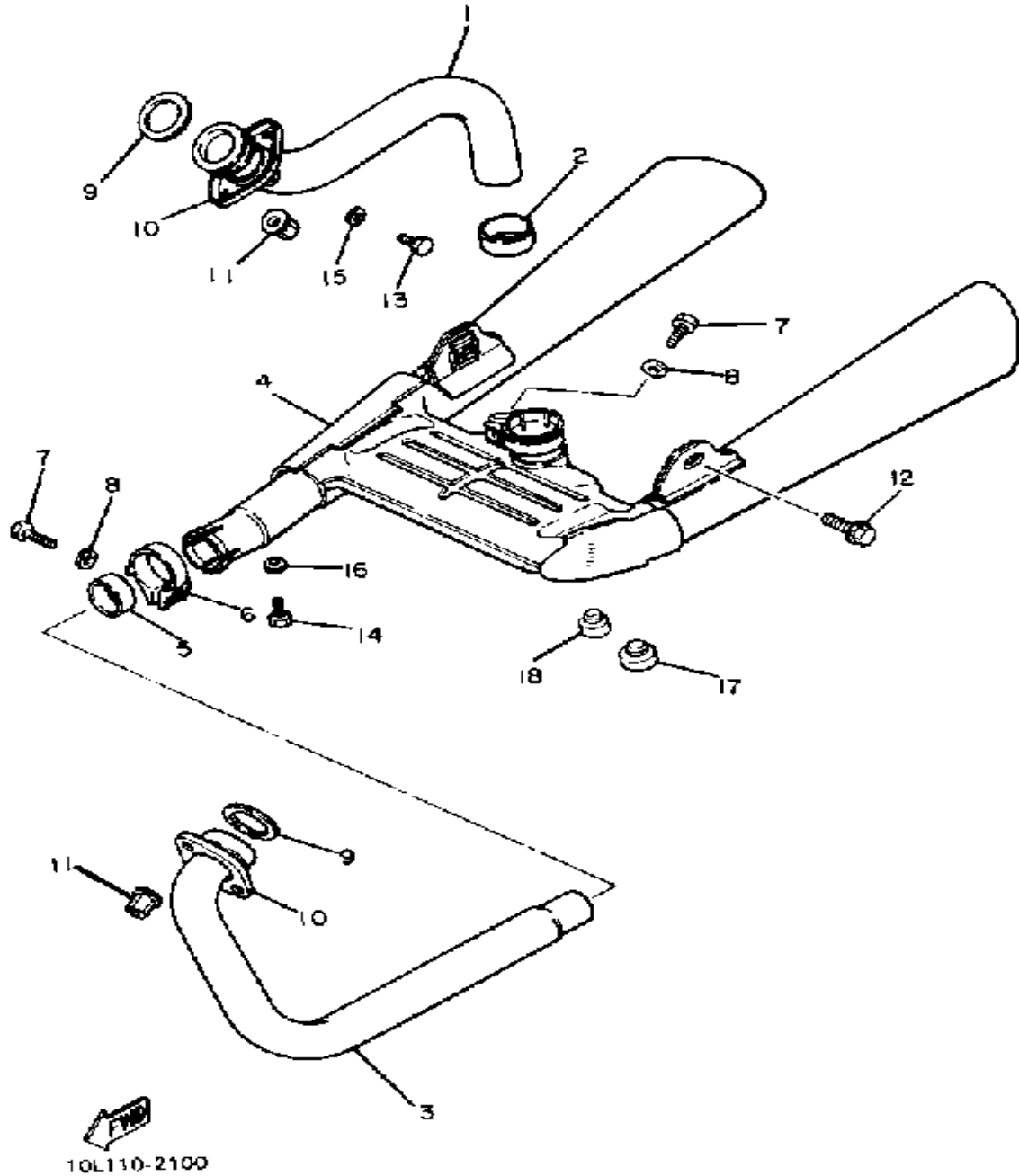


Ref. No.	Part Number	Description	Qty	Remarks
28	4X7-14948-41-00	.. JET	2	
29	4X7-14925-26-00	.. JET, MAIN	1	
30	98580-05016-00	.. SCREW, PAN HEAD	2	
31	92990-05100-00	.. WASHER, SPRING	2	
32	98503-06014-00	.. SCREW, PAN HEAD (92502-06016)	4	
33	92995-06100-00	.. WASHER, SPRING	4	
34	4X7-14921-32-00	.. NOZZLE, MAIN	2	
35	(4X7-14177-01-00)	ROD, STARTER LEVER	1	
36	4X7-14522-01-00	. SCREW, ADJUST	1	
37	4X7-14962-00-00	. WASHER	1	
38	4X7-14267-00-00	. ROLLER	1	

10L110-2090

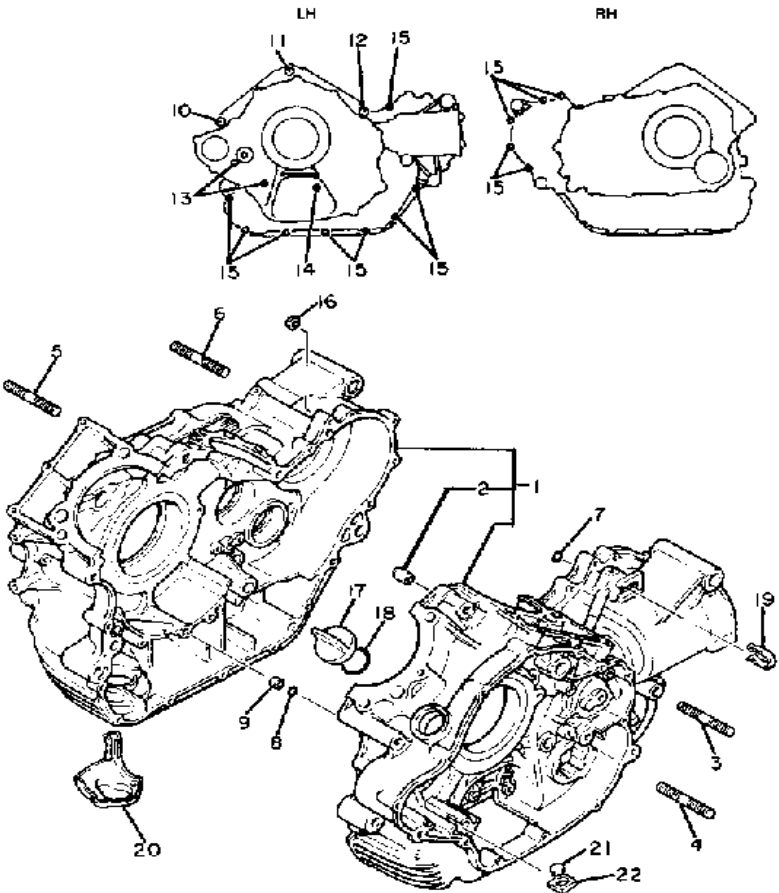
CARBURETOR - Mfr. / Type / I.D. Number	Hitachi / HSC40 / 10L-00
Main Jet / Pilot Jet	#1 Cylinder: 126, #2 Cylinder: 128 / 41
Needle Jet / Jet Needle-Clip Position	ø / #1 Cylinder: Y-25 #2 Cylinder: Y-24
Slide Cutaway or Throttle Valve	13°
Float Level / Fuel Level	15.8 ± 0.5mm / #1: 1.0 ± 1.0mm #2: 2.0 ± 1.0mm
Idle rpm	1000
Max CO ₂ / Max HC ₂ / Set CO	6% / 500 ppm / 2% [All Settings @ Idle]

EXHAUST



Ref. No.	Part Number	Description	Qty	Remarks
1	4X7-14611-01-00	PIPE, EXHAUST L	1	
2	4X7-14714-01-00	UNAVAILABLE IN PRICE BOOK	1	
3	4X7-14621-00-00	PIPE, EXHAUST R	1	
4	10L-14711-00-00	MUFFLER L	1	
5	1J7-14714-00-00	GASKET, MUFFLER	1	
6	269-14796-00-00	UNAVAILABLE IN PRICE BOOK	1	
7	97013-08025-00	BOLT	2	
8	92901-08600-00	WASHER	2	
9	3EG-14613-00-00	GASKET, EXHAUST PIPE	2	
10	4X7-14612-00-00	NUT, RING	2	
11	90179-08210-00	NUT, SPEC'L SHAPE	4	
12	95811-10035-00	BOLT, FLANGE	2	
13	91316-06012-00	BOLT, SOCKET HEAD	1	
14	91316-06012-00	BOLT, SOCKET HEAD	1	
15	92990-06600-00	WASHER, PLATE	1	
16	92990-06600-00	WASHER, PLATE	1	
17	116-27114-00-00	STOPPER, MAIN STAND	1	
18	341-27314-02-00	STOPPER	1	

CRANKCASE



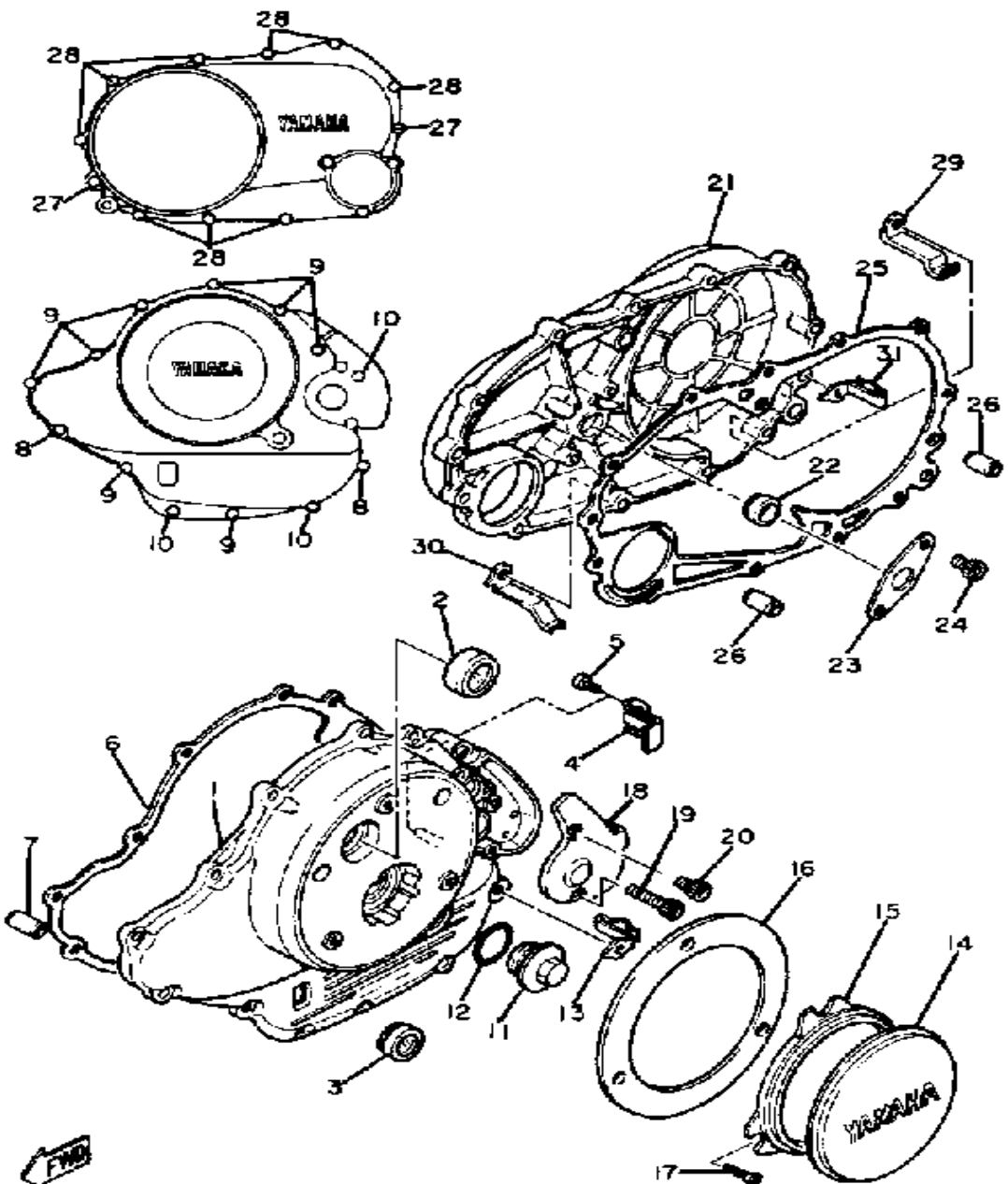
Ref. No.	Part Number	Description	Qty	Remarks
1	(10L-15100-00-00)	CRANKCASE ASSEMBLY	1	
2	99530-14016-00	. PIN, DOWEL	3	
3	(95611-10660-00)	BOLT, STUD	1	
4	95611-10630-00	BOLT, STUD	1	
5	95611-10690-00	BOLT, STUD	1	
6	(95611-10635-00)	BOLT, STUD	1	
7	93210-07438-00	O-RING	1	
8	93210-07438-00	O-RING	1	
9	90387-064E8-00	COLLAR	1	
10	91311-10100-00	BOLT, SOCKET HEAD	1	
11	91311-10070-00	BOLT, SOCKET HEAD	1	
12	91311-10060-00	BOLT, SOCKET HEAD	1	
13	91311-06080-00	BOLT, SOCKET HEAD	2	
14	91311-06055-00	BOLT, SOCKET HEAD	1	
15	91311-06030-00	BOLT, SOCKET HEAD	13	
16	90430-06014-00	GASKET	1	
17	4X7-15363-00-00	PLUG, OIL	1	
18	93210-29198-00	O-RING	1	
19	90465-10168-00	CLAMP	1	
20	4X7-15491-00-00	PROTECTOR	1	
21	4X7-13419-00-00	PLUG	1	
22	90480-20302-00	GROMMET	1	

5G630C-111D

Oil Pressure Hot / rpm	.035 kg/cm ² @ 1000 rpm
Oiling System	Wet Sump
Capacity: Dry	3600cc
Oil and Filter Change	3100cc
Oil Change	3000cc
Lubricant: Temp. Above 5°C (40°F)	Yamalube 4 ⁺ or SAE 20W40
Temp. Below 15°C (60°F)	SAE 10W30
Drain Plug	14 x 1.50: 4.3 m-kg

CRANKCASE COVER

Ref. No.	Part Number	Description	Qty	Remarks
1	4X7-15411-02-00	COVER, CRANKCASE L (4X7-15411-00)	1	
2	4X7-15361-00-00	GAUGE, LEVEL	1	
3	2H7-15361-00-00	GAUGE, LEVEL	1	
4	90462-08073-00	CLAMP	1	
5	98580-06010-00	SCREW, PAN HEAD (92503-06010)	1	
6	3EG-15451-00-00	GASKET, CRCS COVER	1	
7	99530-10014-00	PIN, DOWEL	2	
8	91311-06040-00	BOLT	2	
9	91311-06030-00	BOLT, SOCKET HEAD	8	
10	91311-06020-00	BOLT, SOCKET HEAD	3	
11	1L9-11186-00-00	COVER, CYLINDER HEAD SIDE 2	1	
12	93210-32172-00	O-RING	1	
13	90462-08076-00	CLAMP	1	
14	4X7-15415-00-00	COVER, GENERATOR	1	
15	4X7-15455-00-00	GASKET 1	1	
16	42X-15425-01-00	COVER, GENERATOR R (4X7-15425-00)	1	
17	98780-06016-00	SCREW, FLAT HEAD (92603-06016)	3	
18	4X7-15417-00-00	COVER, CAP	1	
19	91311-06055-00	BOLT, SOCKET HEAD	1	
20	91311-06016-00	BOLT, SOCKET HEAD	1	
21	4X7-15421-01-00	COVER, CRANKCASE R	1	
22	93101-14102-00	OIL SEAL, S-TYPE	1	
23	4X7-15388-00-00	PLATE, BRNG COVER	1	
24	91316-06016-00	BOLT, SOCKET HEAD	2	
25	3EG-15462-00-00	GASKET, CRCS CVR 3	1	

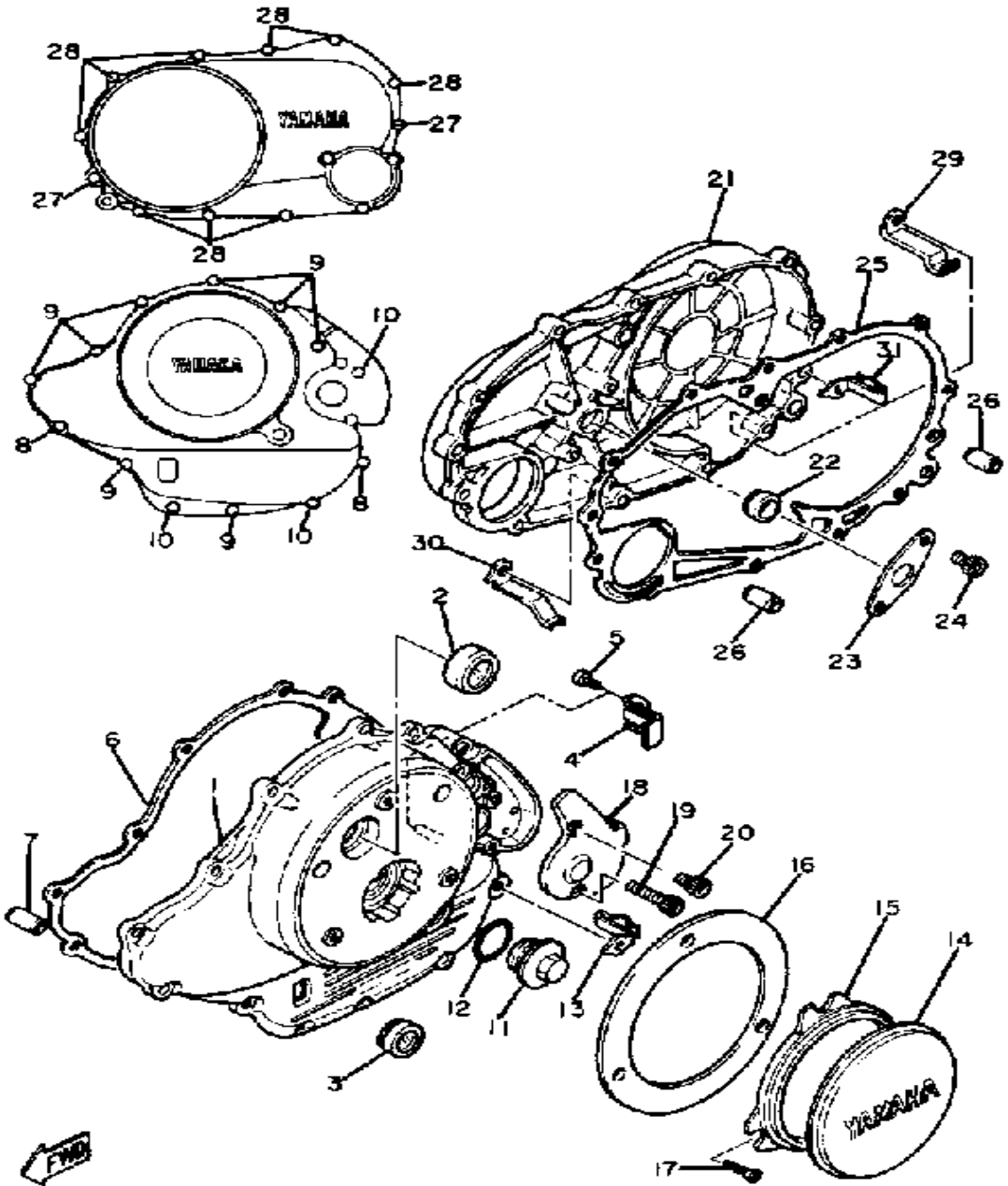


5G5300-1120

CONTINUED ON NEXT FRAME ►

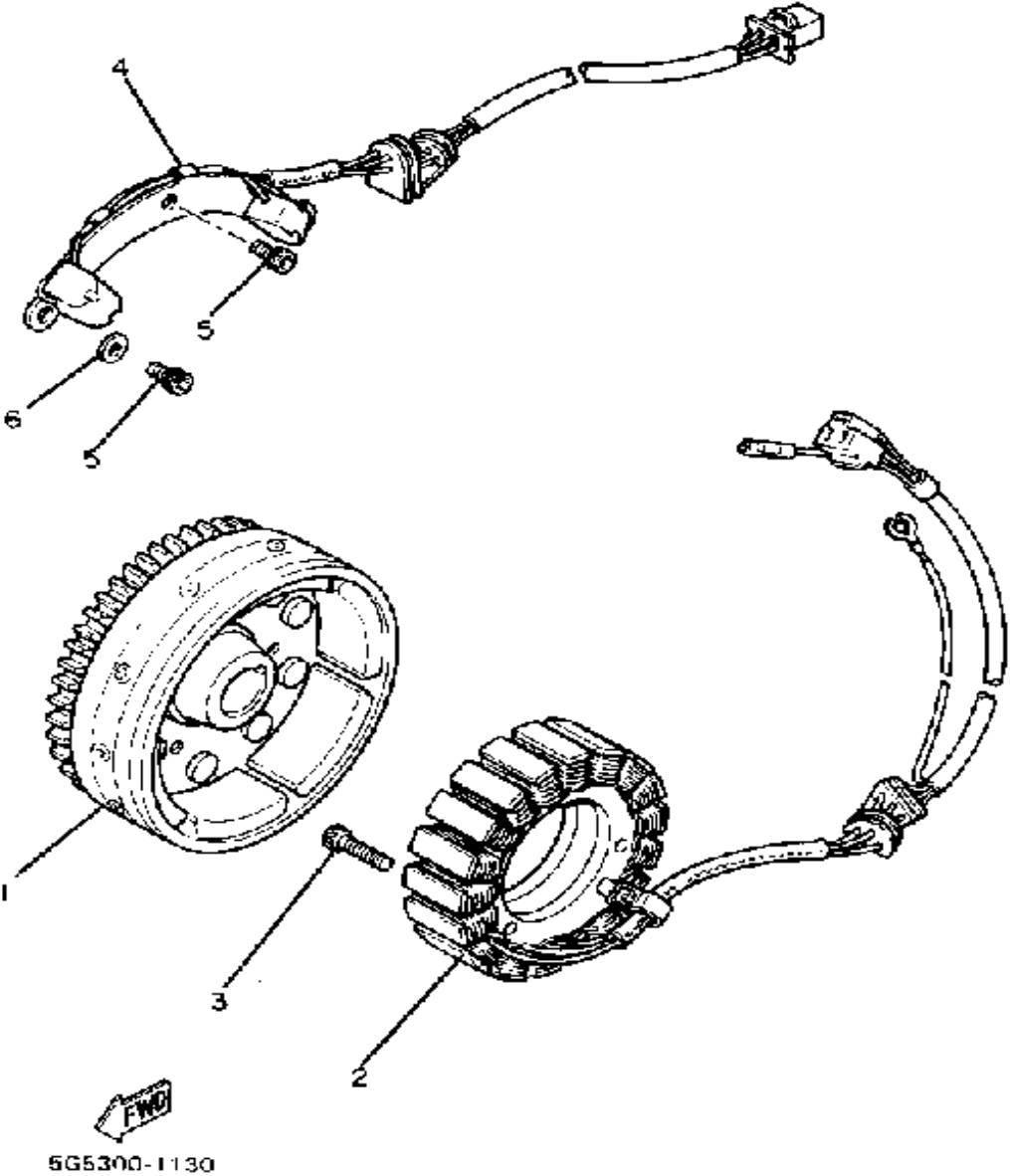
CRANKCASE COVER

Ref. No.	Part Number	Description	Qty	Remarks
26	99530-10020-00	PIN, DOWEL	2	
27	91311-06040-00	BOLT	2	
28	91311-06025-00	BOLT, SOCKET HEAD	9	
29	90462-08075-00	CLAMP	1	
30	90462-10085-00	CLAMP	2	
31	90462-08076-00	CLAMP	1	



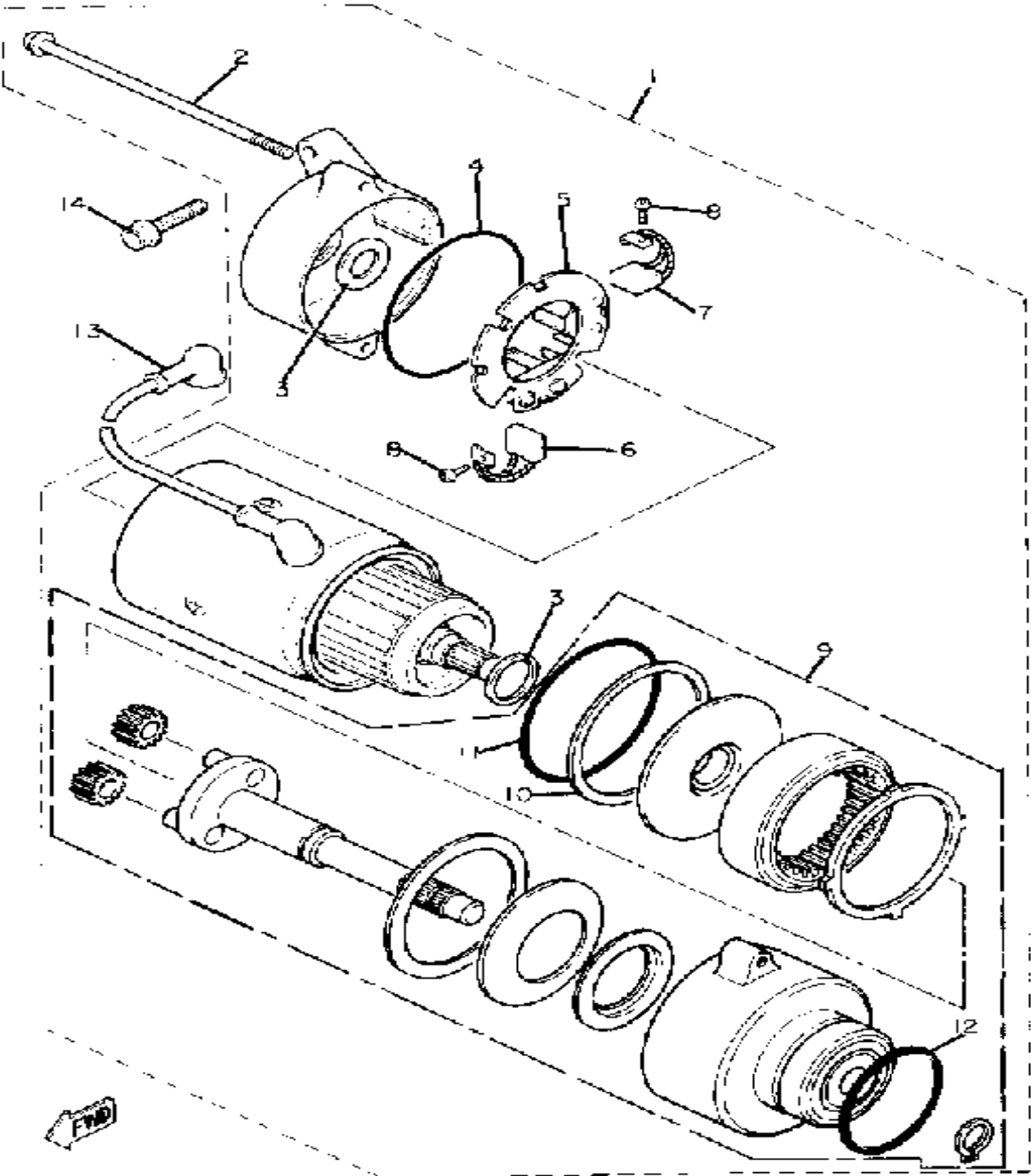
 5G5300-1120

GENERATOR



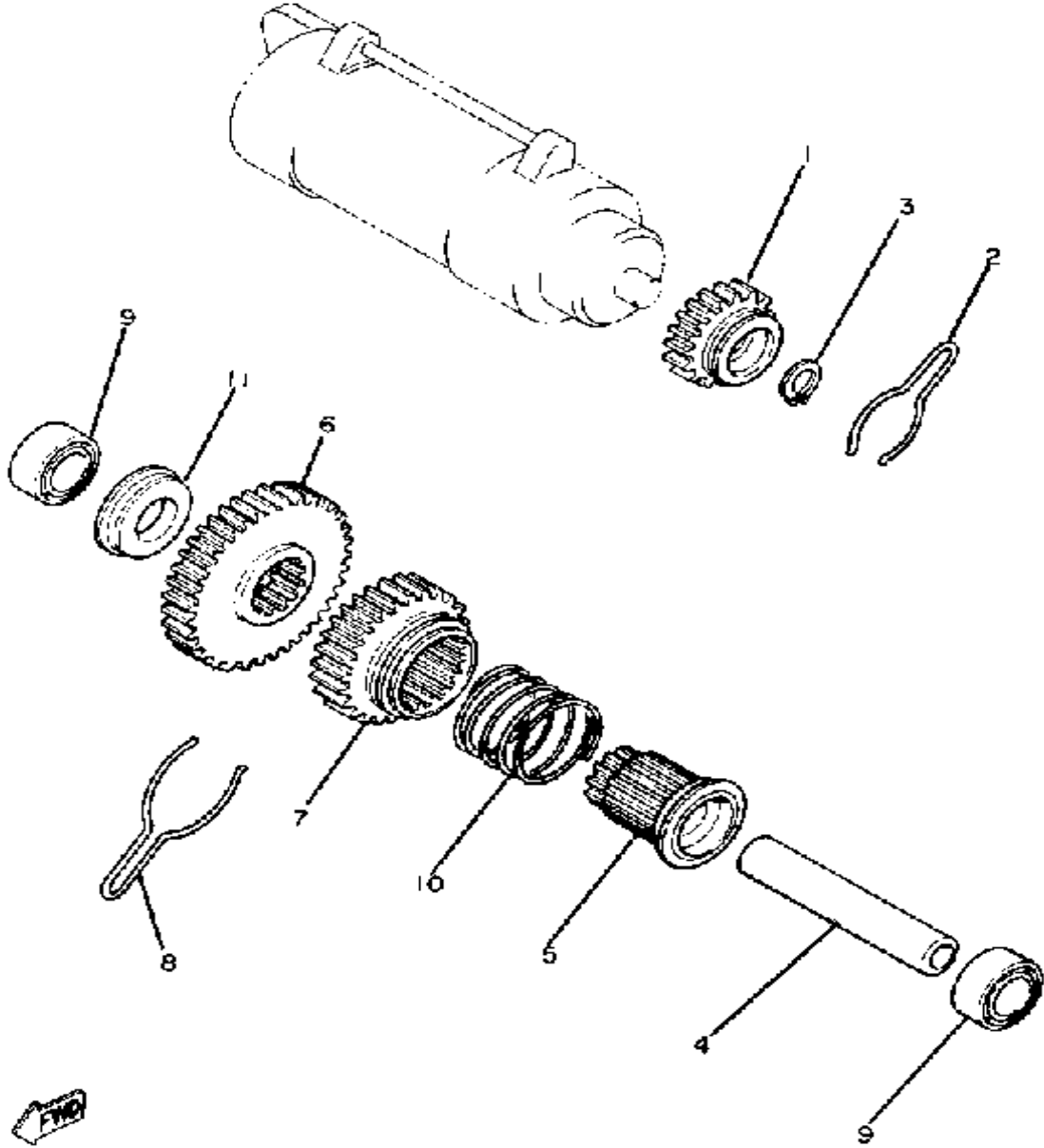
Ref. No.	Part Number	Description	Qty	Remarks
1	4X7-81450-21-00	ROTOR ASSEMBLY	1	
2	4X7-81410-20-00	STATOR ASSEMBLY	1	
3	91316-06040-00	BOLT, SOCKET HEAD	3	
4	4X7-81670-20-00	PICK-UP ASSEMBLY	1	
5	91316-06016-00	BOLT, SOCKET HEAD	3	
6	90201-06643-00	WASHER, PLATE	2	

STARTING MOTOR




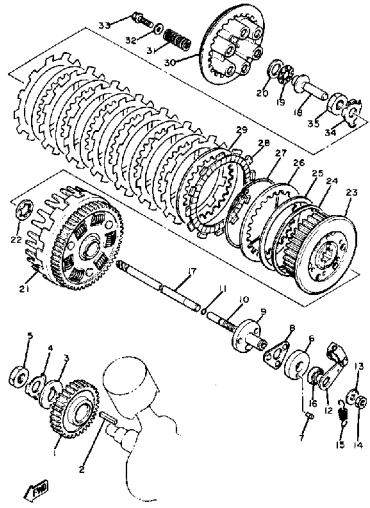
Ref. No.	Part Number	Description	Qty	Remarks
1	42X-81800-60-00	STARTING MOTOR ASSEMBLY (4X7-81800-60)	1	
2	371-81826-20-00	. BOLT	1	
3	371-81809-20-00	. WASHER KIT	1	
4	371-81847-20-00	. O-RING	2	
5	1J7-81840-60-00	. BRUSH HOLDER ASSEMBLY	1	
6	371-81811-20-00	. BRUSH 1	1	
7	371-81812-20-00	. BRUSH 2	1	
8	98580-03008-00	. SCREW, PAN HEAD	2	
9	4X7-81830-60-00	. FRONT BRACKET ASSEMBLY	1	
10	4X7-81844-60-00	.. GASKET	1	
11	371-81847-20-00	.. O-RING	1	
12	1J7-81847-60-00	.. O-RING	1	
13	5H1-82119-00-00	COVER, LEAD WIRE	1	
14	95816-06025-00	BOLT, FLANGE	2	

STARTER CLUTCH



Ref. No.	Part Number	Description	Qty	Remarks
1	4X7-15511-00-00	GEAR, STARTING MTR	1	
2	90468-29114-00	CLIP	1	
3	99009-13400-00	CIRCLIP (55X)	1	
4	4X7-15521-00-00	SHAFT 1	1	
5	4X7-15524-00-00	WHEEL, STARTER	1	
6	4X7-15512-00-00	GEAR, IDLER 1	1	
7	4X7-15517-00-00	GEAR, IDLER 2	1	
8	90468-29106-00	CLIP	1	
9	90387-172E5-00	COLLAR	2	
10	90501-15636-00	SPRING, COMPRESSION	1	
11	90387-170E5-00	COLLAR	1	


 9E3171-1150

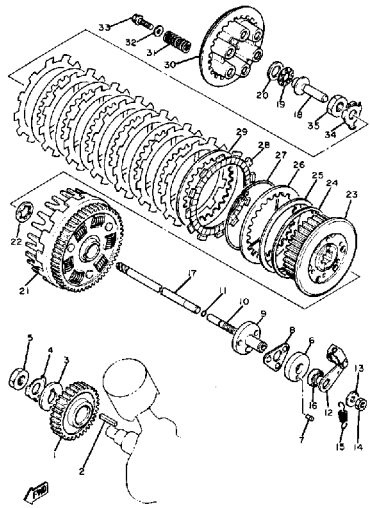


Clutch Friction Plate Thickness Std. ~ Min.	3.0 ~ 2.8mm
Clutch Spring Length Std. ~ Min.	41.2 ~ 40.2mm

CLUTCH

Ref. No.	Part Number	Description	Qty	Remarks
1	4X7-16111-00-00	GEAR, PRI DRIVE	1	
2	90282-07042-00	KEY, STRAIGHT	1	
3	90214-20022-00	WASHER, CLAW	1	
4	90215-20182-00	WASHER, LOCK	1	
5	90170-20274-00	NUT, HEXAGON	1	
6	2H7-16396-00-00	HOUSING, PUSH SCREW	1	
7	93606-07082-00	PIN, DOWEL	1	
8	2H7-16395-01-00	RETAINER, BALL	1	
9	2H7-16341-00-00	SCREW, PUSH	1	
10	2H7-16343-00-00	SCREW, ADJUSTING	1	
11	93210-48364-00	O-RING	1	
12	4X7-16340-00-00	PUSH LEVER ASSEMBLY	1	
13	92990-08200-00	WASHER, PLAIN	1	
14	95303-08700-00	NUT	1	
15	90506-10069-00	SPRING, TENSION	1	
16	93104-14059-00	OIL SEAL, SO-TYPE	1	
17	4X7-16357-00-00	ROD, PUSH 2	1	
18	4X7-16356-00-00	ROD, PUSH 1	1	
19	93340-21505-00	BEARING	1	
20	90201-154E9-00	WASHER, PLATE	1	
21	4X7-16150-02-00	PRI DRVN GEAR	1	
22	3Y1-16154-00-00	PLATE, THRUST 1	1	
23	4X7-16371-00-00	BOSS, CLUTCH	1	
24	4X7-16384-00-00	PLATE, SEAT	1	
25	4X7-16383-01-00	SPRING, CLUTCH BOSS	1	
26	4X7-16324-00-00	PLATE, CLUTCH 1	1	
27	4X7-16385-00-00	RING, CLUTCH BOSS	1	
28	22U-16321-00-00	PLATE, FRICTION	8	
29	4X7-16325-00-00	PLATE, CLUTCH 2	7	

CONTINUED ON NEXT FRAME ➤

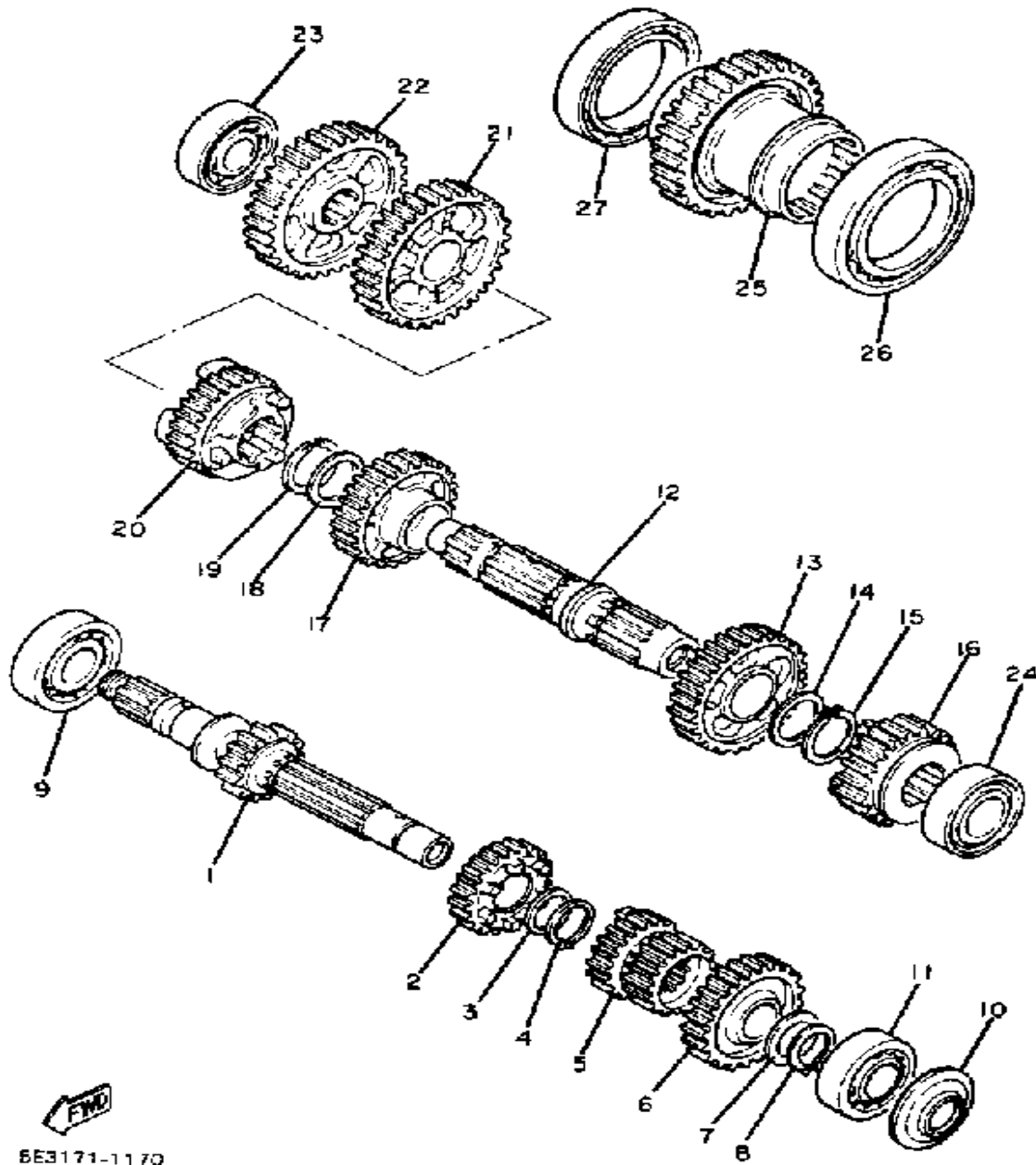


Clutch Friction Plate Thickness Std. ~ Min.	3.0 ~ 2.8mm
Clutch Spring Length Std. ~ Min.	41.2 ~ 40.2mm

CLUTCH

Ref. No.	Part Number	Description	Qty	Remarks
30	4X7-16351-00-00	PLATE, PRESSURE 1	1	
31	90501-23391-00	SPRING, COMPRESSION	6	
32	90201-061A5-00	WASHER, PLATE	6	
33	95811-06025-00	BOLT, FLANGE	6	
34	90215-20231-00	WASHER, LOCK	1	
35	90170-20327-00	NUT	1	

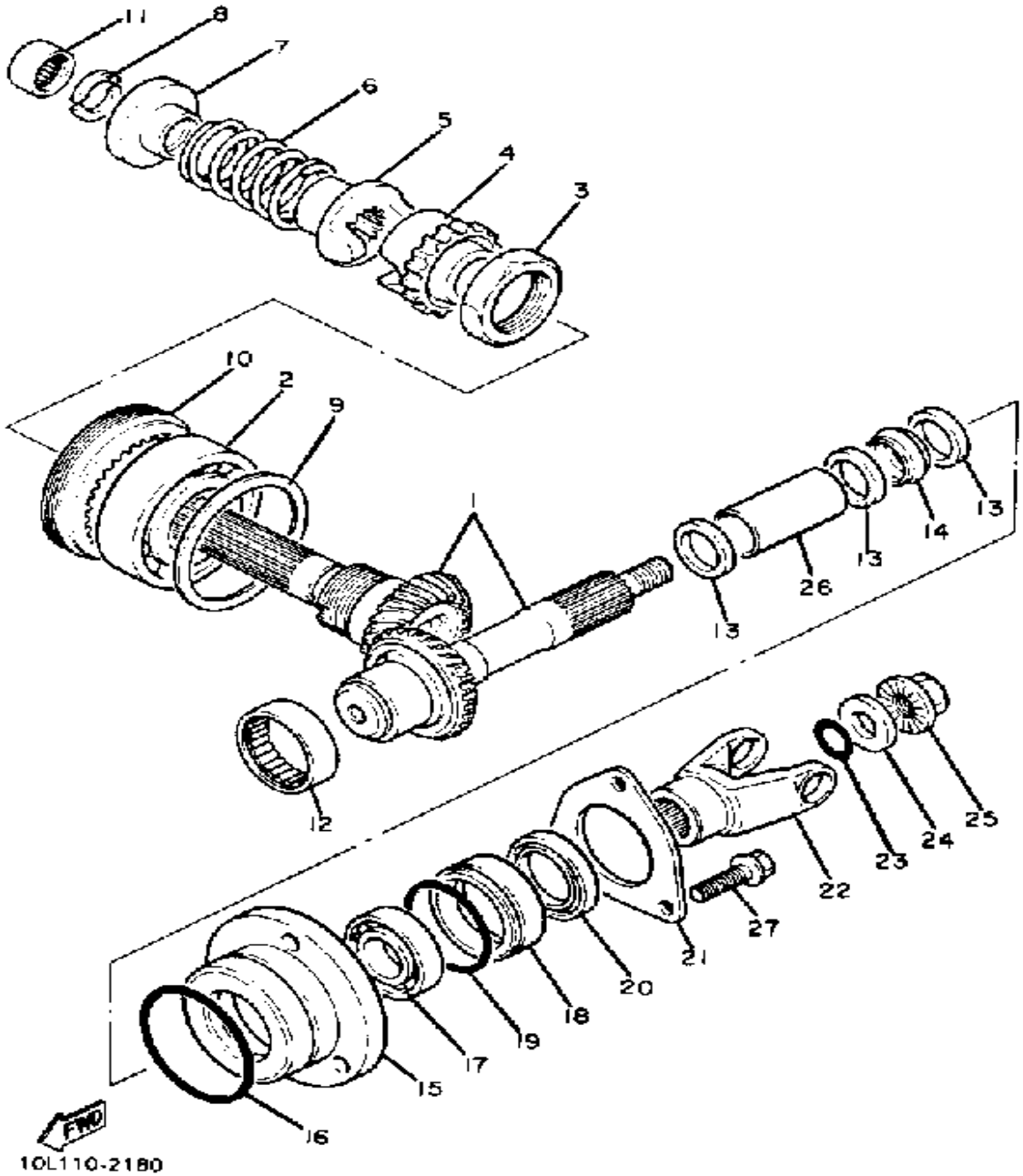
TRANSMISSION



5E3171-1170

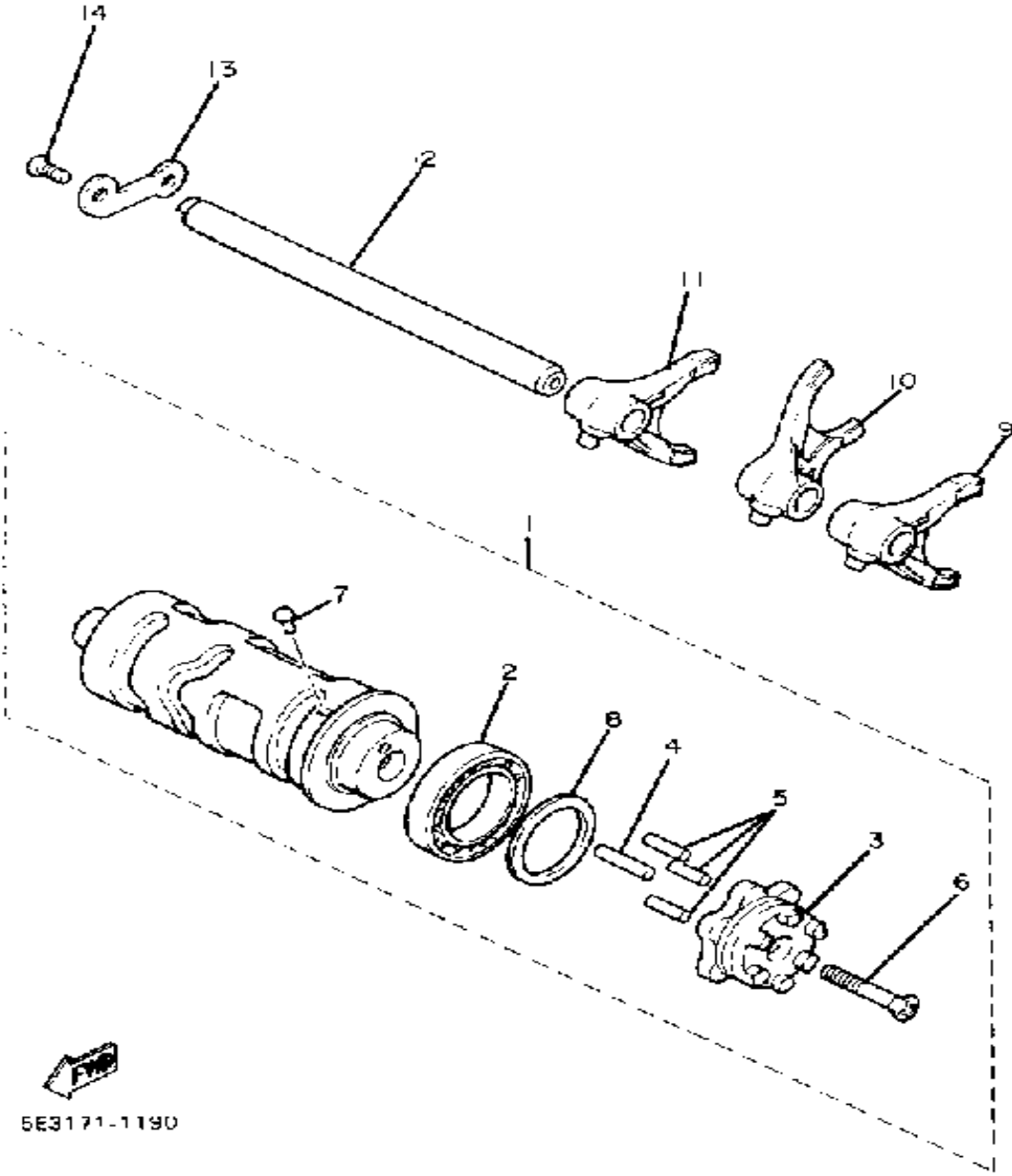
Ref. No.	Part Number	Description	Qty	Remarks
1	4X7-17411-00-00	AXLE, MAIN	1	
2	4X7-17141-00-00	GEAR, 4TH PINION	1	
3	90209-22191-00	WASHER	1	
4	93410-25010-00	CIRCLIP, S-TYPE	1	
5	4X7-17121-00-00	GEAR, 2ND PINION	1	
6	4X7-17151-01-00	GEAR, 5TH PINION	1	
7	90201-20276-00	WASHER, PLATE (1.0T)	1	
8	99009-20400-00	CIRCLIP	1	
9	93306-30525-00	BEARING (B6305)	1	
10	93104-20068-00	OIL SEAL	1	
11	93306-30424-00	BEARING (B6304A3)	1	
12	4X7-17402-00-00	DRIVE AXLE ASSEMBLY	1	
13	4X7-17221-00-00	GEAR, 2ND WHEEL	1	
14	90209-27192-00	WASHER	1	
15	93440-30077-00	CIRCLIP	1	
16	4X7-17251-01-00	GEAR, 5TH WHEEL	1	
17	4X7-17231-00-00	GEAR, 3RD WHEEL	1	
18	90209-27192-00	WASHER	1	
19	93440-30077-00	CIRCLIP	1	
20	4X7-17241-00-00	GEAR, 4TH WHEEL	1	
21	4X7-17211-00-00	GEAR, 1ST WHEEL	1	
22	(10L-17582-00-00)	GEAR, MIDDLE DRIVE	1	
23	93306-20421-00	BEARING	1	
24	93306-20550-00	BEARING (B6205DU8)	1	
25	4X7-17583-01-00	GEAR, MIDDLE DRIVEN	1	
26	93316-01201-00	BEARING, CYLINDER.# 6	1	
27	93306-91201-00	BEARING	1	

MIDDLE DRIVE GEAR



Ref. No.	Part Number	Description	Qty	Remarks
1	4X7-Y1757-00-00	MIDDLE GEAR	1	
2	93306-20901-00	BEARING (B6209RSH2-C2) ...	1	
3	90179-44328-00	NUT	1	
4	(4X7-17526-01-00)	CAM, DRIVE	1	
5	4H7-17527-00-00	CAM, DRIVEN	1	
6	(90501-65575-00)	SPRING, COMPRESSION	1	
7	(4X7-17524-00-00)	HOLDER	1	
8	3H5-17529-00-00	WASHER, THRUST	2	
9	4X7-17531-00-15	SHIM, PINION (0.15T)	1	U.R.
	4X7-17531-00-30	SHIM, PINION (0.30T)	1	U.R.
	4X7-17531-00-50	SHIM, PINION (0.50T)	1	U.R.
10	90179-88336-00	NUT, SPEC'L SHAPE	1	
11	93317-22021-00	BEARING, CYLINDER.# 7	1	
12	93311-44051-00	BEARING, CYLINDER.# 1	1	
13	90201-255A6-00	WASHER, PLATE	3	
14	1J7-46129-Y1-00	SPACER, EXPANSION	1	
15	11H-17551-00-00	HOUSING, BEARING	1	
16	93210-71360-00	O-RING	1	
17	93306-20548-00	BEARING	1	
18	4X7-17554-00-00	RETAINER, BEARING	1	
19	93210-52449-00	O-RING	1	
20	93101-35099-00	OIL SEAL, S-TYPE	1	
21	(4X7-17558-00-00)	PLATE, BEARING	1	
22	4X7-17556-00-00	YOKE, JOINT	1	
23	93210-14359-00	O-RING	1	
24	90201-14633-00	WASHER, PLATE	1	
25	90179-14317-00	NUT, SPEC'L SHAPE	1	
26	90387-251E1-00	COLLAR	1	
27	95811-08030-00	BOLT, FLANGE	3	

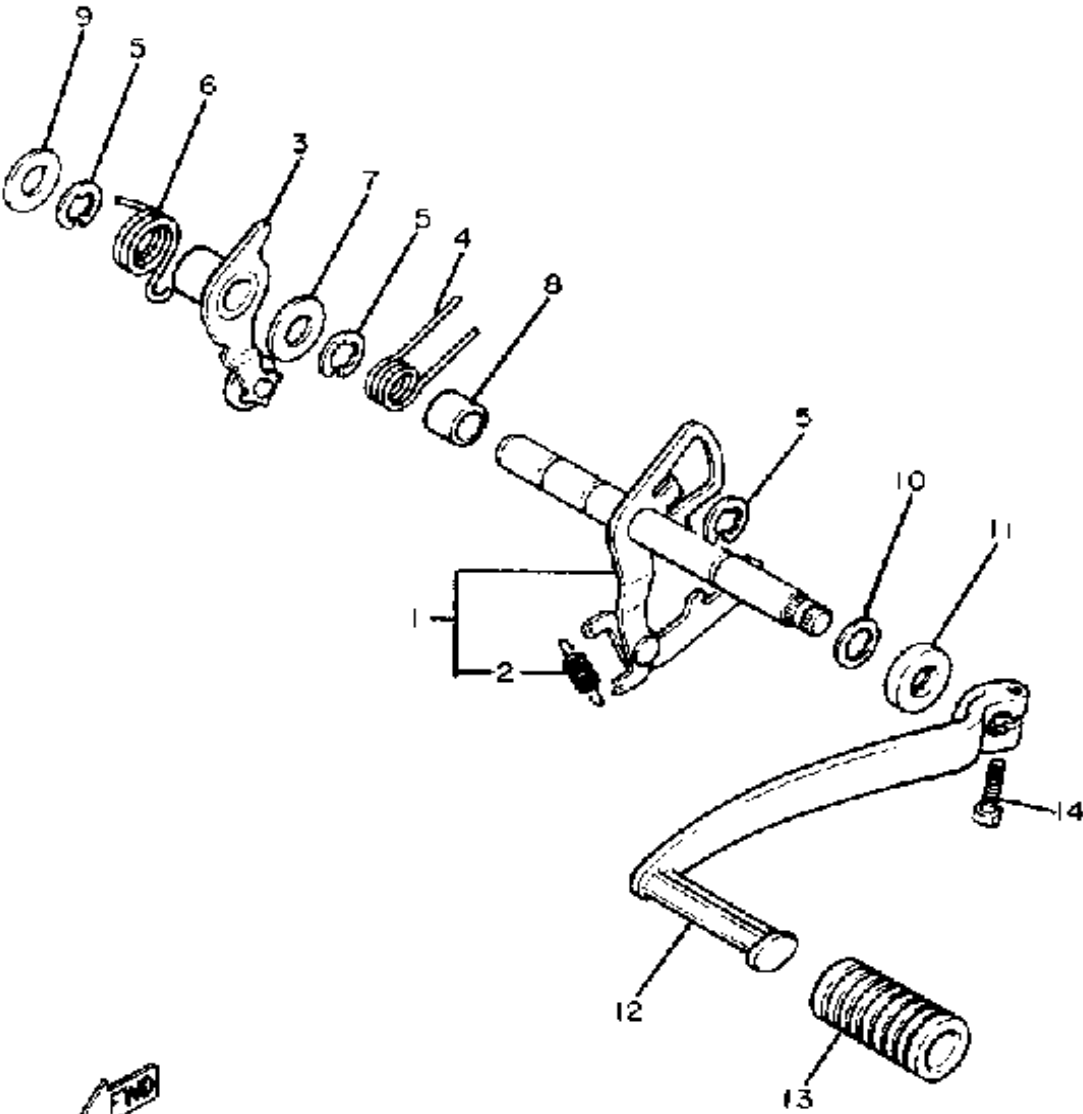
SHIFT CAM-FORK



Ref. No.	Part Number	Description	Qty	Remarks
1	4X7-18540-01-00	SHIFT CAM ASSEMBLY	1	
2	93306-90602-00	. BEARING	1	
3	4G0-18185-01-00	. SEGMENT	1	
4	93604-20156-00	. PIN, DOWEL	1	
5	93604-16092-00	. PIN, DOWEL	3	
6	98701-05035-00	. SCREW, FLAT HEAD	1	
7	136-18542-00-00	. POINT, NEUTRAL	1	
8	90201-30297-00	. WASHER, PLATE	1	
9	4X7-18511-00-00	FORK, SHIFT 1	1	
10	4X7-18512-00-00	FORK, SHIFT 2	1	
11	4X7-18513-00-00	FORK, SHIFT 3	1	
12	4X7-18531-00-00	BAR, SHIF FRK GDE 1	1	
13	(4X7-18536-00-00)	STOPPER, SHIFT BAR	1	
14	98701-06014-00	SCREW, FLAT HEAD	2	

5E3171-1190

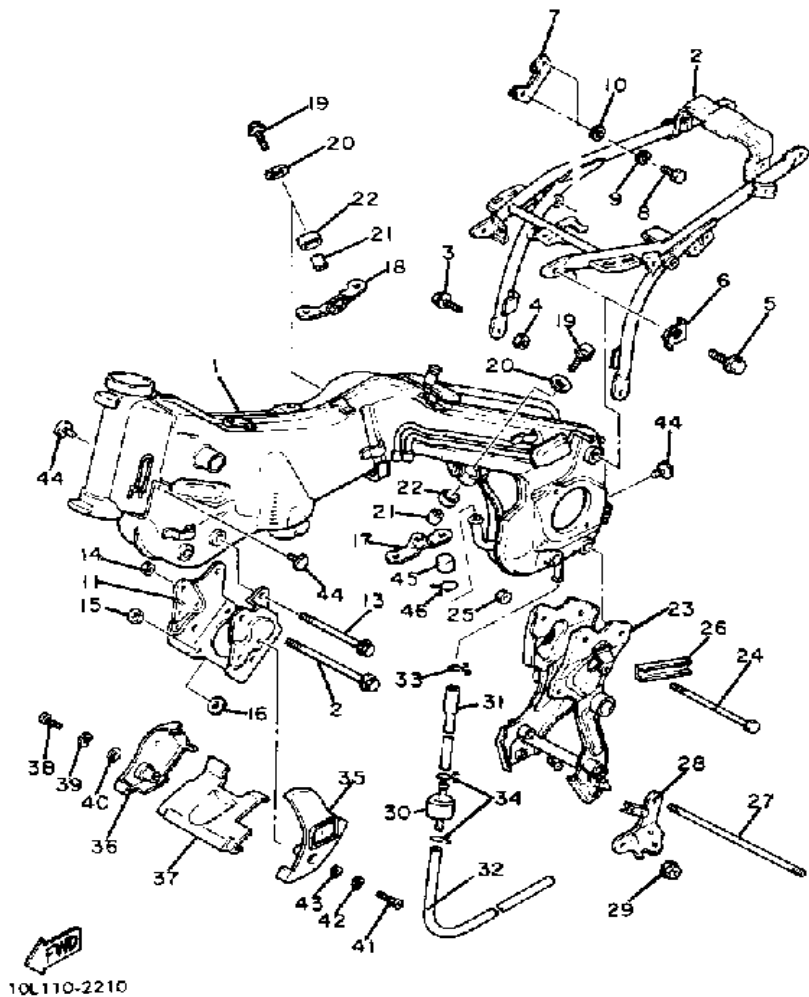
SHIFT SHAFT



Ref. No.	Part Number	Description	Qty	Remarks
1	4X7-18120-01-00	SHIFT LEVER ASSEMBLY	1	
2	90506-08227-00	. SPRING, TENSION	1	
3	4X7-18140-00-00	STOPPER LEVER ASSEMBLY	1	
4	90508-32535-00	SPRING, TORSION	1	
5	99006-10600-00	CIRCLIP	3	
6	90508-29531-00	SPRING, TORSION	1	
7	90201-12588-00	WASHER, PLATE	1	
8	90387-124F4-00	COLLAR	1	
9	90201-12588-00	WASHER, PLATE	1	
10	90201-12166-00	WASHER, PLATE	1	
11	93102-12321-00	OIL SEAL, SD-TYPE	1	
12	4X7-18111-00-00	PEDAL, SHIFT	1	
13	132-18113-01-00	COVER, SHIFT PEDAL	1	
14	97011-06020-00	BOLT	1	

10L110 2200

FRAME



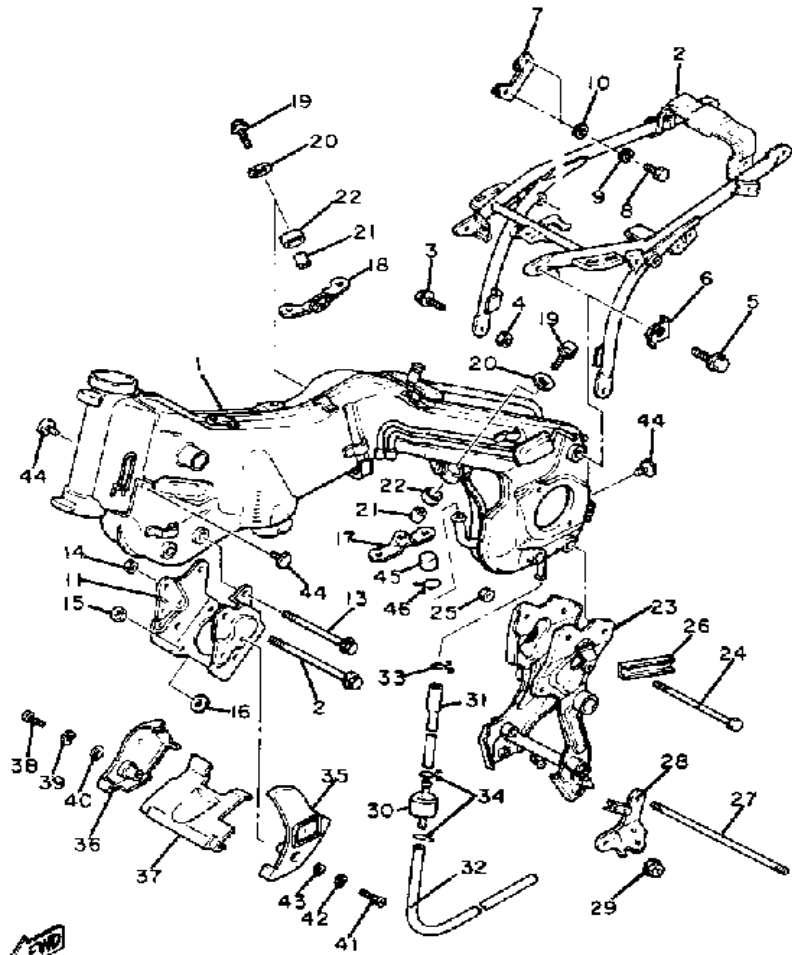
10L110-2210

MODEL - IBM I.D. NUMBER	XV920J-B	XV920J-R	10L
Initial Engine Number / Frame Number	10L-000101 / 10L-000101		
Basic Color(s)	New Yamaha Black (B)	New Ruby Red (R)	
Engine Mounting Bolts: Bracket Front	12 x 1.25: 5.0 m-kg		
Bolt, Front	10 x 1.25: 7.0 m-kg		
Bolt, Rear	10 x 1.25: 7.0 m-kg		
Bolt, Rear Upper	10 x 1.25: 7.0 m-kg		
Bolt, Rear Lower	10 x 1.25: 7.0 m-kg		

Ref. No.	Part Number	Description	Qty	Remarks
1	(10L-21110-00-98)	FRAME	1	LOW GLOSS BLACK
2	10L-21190-00-98	FRAME, REAR	1	LOW GLOSS BLACK
3	95811-10035-00	BOLT, FLANGE	2	
4	90185-10060-00	NUT, SELF-LOCKING	2	
5	90101-10524-00	BOLT	2	
6	90215-10192-00	WASHER, LOCK	2	
7	4X7-2138L-00-00	BRACKET 2	1	
8	97313-08016-00	BOLT, HEXAGON	1	
9	92990-08100-00	WASHER	1	
10	92901-08600-00	WASHER	1	
11	4X7-21317-00-00	STAY, ENGINE 4	1	
12	90105-10183-00	BOLT, WASHER BASED	1	
13	90105-10105-00	BOLT, WASHER BASED	1	
14	90179-10247-00	NUT	2	
15	90179-12421-00	NUT, SPEC'L SHAPE	4	
16	90201-125A3-00	WASHER, PLATE	4	
17	(4X7-21315-00-00)	STAY, ENGINE 2	1	
18	(4X7-21316-00-00)	STAY, ENGINE 3	1	
19	90105-10186-00	BOLT, WASHER BASED	2	
20	90201-105H3-00	WASHER, PLATE	2	
21	90387-100E2-00	COLLAR	2	
22	4X7-21485-00-00	DAMPER, RUBBER 1	2	
23	4X7-21430-00-00	BRACKET, REAR ARM	1	
24	90101-10074-00	BOLT	2	
25	90179-10247-00	NUT	2	
26	(4X7-21491-00-00)	WASHER, LOCK	1	
27	90116-10343-00	BOLT, STUD	1	
28	10L-21458-00-00	BRACKET, SIDE STAND	1	
29	90179-10247-00	NUT	1	

CONTINUED ON NEXT FRAME ►

FRAME

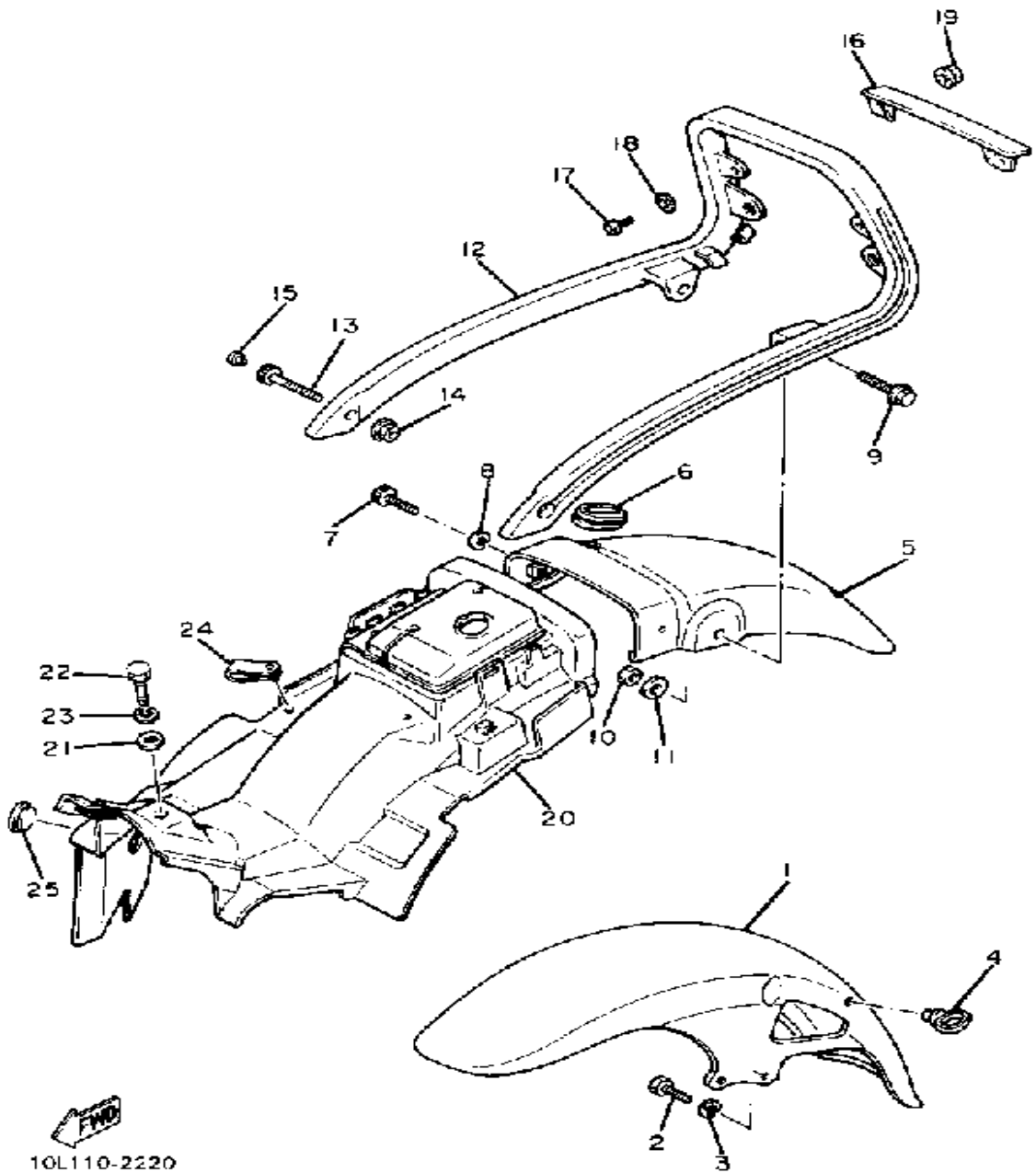


10L110-2210

MODEL - IBM I.D. NUMBER	XV920J-B	XV920J-R	10L
Initial Engine Number / Frame Number	10L-000101 / 10L-000101		
Basic Color(s)	New Yamaha Black (B)	New Ruby Red (R)	
Engine Mounting Bolts: Bracket Front	12 x 1.25: 5.0 m-kg		
Bolt, Front	10 x 1.25: 7.0 m-kg		
Bolt, Rear	10 x 1.25: 7.0 m-kg		
Bolt, Rear Upper	10 x 1.25: 7.0 m-kg		
Bolt, Rear Lower	10 x 1.25: 7.0 m-kg		

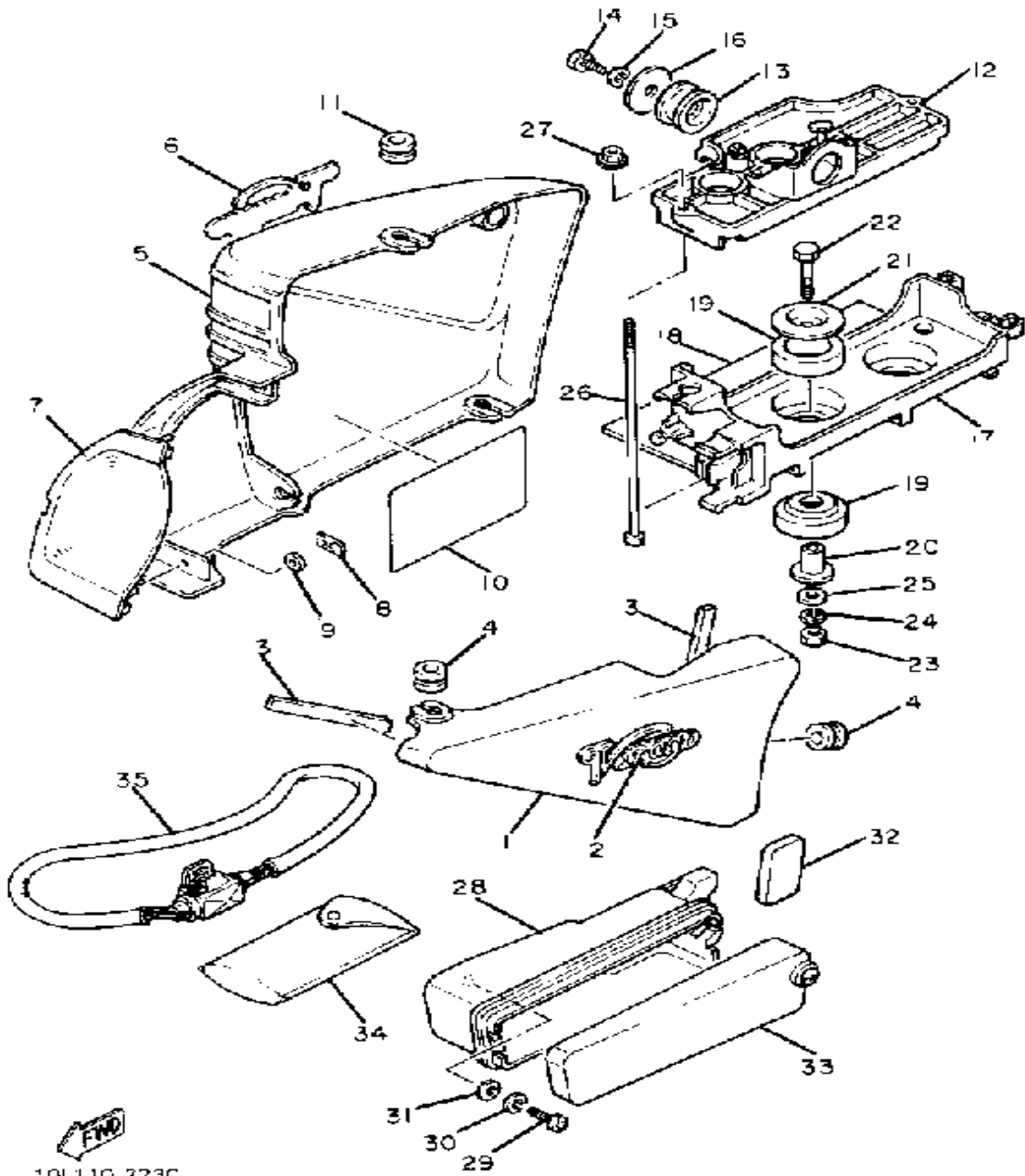
Ref. No.	Part Number	Description	Qty	Remarks
30	4X7-2149Y-00-00	FILTER ASSEMBLY	1	
31	(90445-11545-00)	HOSE	1	
32	90445-11452-00	HOSE	1	
33	90467-13042-00	CLIP	1	
34	90467-11102-00	CLIP, SCISSOR	2	
35	4X7-2137W-00-98	SCOOP, AIR 1	1	LOW GLOSS BLACK
36	4X7-2137X-00-98	SCOOP, AIR 2	1	LOW GLOSS BLACK
37	4X7-2137Y-00-98	GUIDE, AIR	1	LOW GLOSS BLACK
38	98506-06016-00	SCREW, PANHEAD	1	
39	92906-06100-00	WASHER, SPRING	1	
40	92906-06600-00	WASHER	1	
41	98506-06040-00	SCREW, PAN HEAD	1	
42	92906-06100-00	WASHER, SPRING	1	
43	92906-06600-00	WASHER	1	
44	90338-07043-00	PLUG, SPEC'L SHAPE	3	
45	5A8-21399-00-00	CAP, TOOL BOX	1	
46	90467-14015-00	CLIP	1	

FENDER-CARRIER



Ref. No.	Part Number	Description	Qty	Remarks
1	10L-21510-00-93	FENDER, FRONT	1	CHROME-PLATED
2	97313-08020-00	BOLT, HEXAGON	4	
3	92990-08100-00	WASHER	4	
4	1A0-21518-00-00	HOLDER, CABLE	1	
5	10L-21610-00-93	FENDER, REAR	1	CHROME-PLATED
6	90480-15061-00	GROMMET	1	
7	97013-06012-00	BOLT	2	
8	92995-06100-00	WASHER, SPRING	2	
9	95811-10030-00	BOLT, FLANGE	2	
10	95380-10600-00	NUT	2	
11	92990-10200-00	WASHER, PLAIN	2	
12	10L-21645-00-00	STAY, REAR	1	
13	91316-08060-00	BOLT, SOCKET HEAD	2	
14	90179-08246-00	NUT, SPEC'L SHAPE	2	
15	341-23469-00-00	CAP, BOLT	2	
16	10L-21688-01-00	BRACKET, REAR STAY	1	
17	98580-05012-00	SCREW, PAN HEAD	2	
18	92901-05600-00	WASHER, PLATE	2	
19	95303-05800-00	NUT (CROWN)	2	
20	4X7-21620-00-00	GUARD, MUD	1	
21	90201-06M08-00	WASHER, PLATE	1	
22	97313-06016-00	BOLT, HEXAGON	1	
23	92995-06100-00	WASHER, SPRING	1	
24	90464-12027-00	CLAMP	2	
25	90480-30167-00	GROMMET	1	

SIDE COVER-TOOL

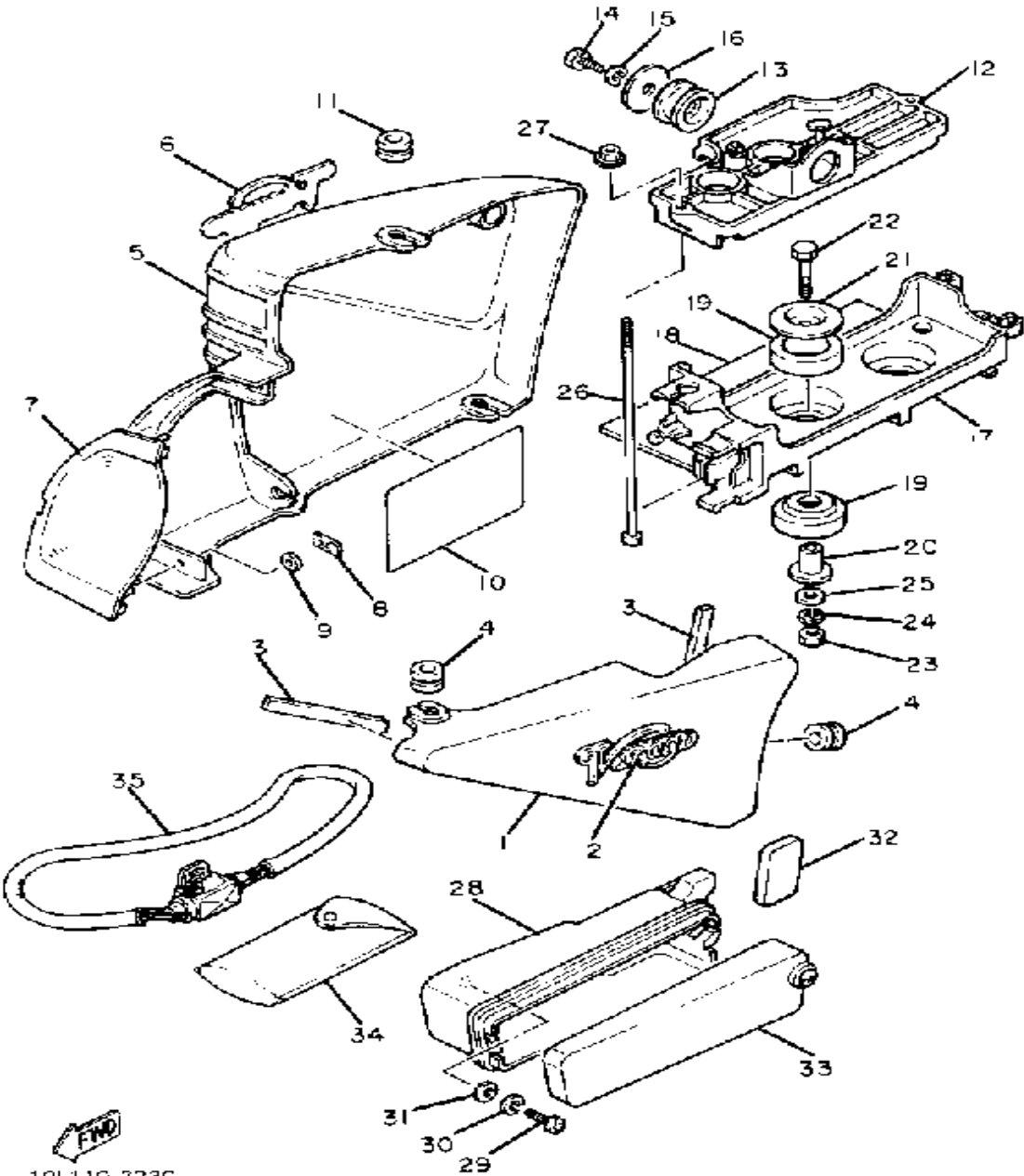


10L11C-223C

Ref. No.	Part Number	Description	Qty	Remarks
1	10L-21711-00-6G	COVER, SIDE 1	1	UR NW YAMAHA BLK
	10L-21711-00-7J	COVER, SIDE 1	1	UR NEW RUBY RED
2	4X7-21781-01-00	EMBLEM 1	1	
3	3CV-28371-00-00	DAMPER	2	
4	90480-12053-00	GROMMET	2	
5	10L-21721-00-6G	COVER, SIDE 2	1	UR NW YAMAHA BLK
	10L-21721-00-7J	COVER, SIDE 2	1	UR NEW RUBY RED
6	4X7-21782-01-00	EMBLEM 2	1	
7	10L-21731-00-00	COVER, SIDE 3	1	
8	90183-04005-00	NUT, SPRING	2	
9	90202-04003-00	WASHER, PLATE	2	
10	(10L-21683-00-00)	PLATE, SPEC	1	
11	90480-12053-00	GROMMET	3	
12	10L-2177G-00-00	BOX, BATTERY	1	
13	2H7-21747-00-00	DAMPER	1	
14	97013-06012-00	BOLT	1	
15	92995-06100-00	WASHER, SPRING	1	
16	90201-065A1-00	WASHER, PLATE	1	
17	10L-21171-00-00	BOX, TOOL	1	
18	29N-14425-00-00	DAMPER 1	1	
19	2H7-21746-00-00	DAMPER	4	
20	90387-060G8-00	COLLAR	2	
21	90209-07170-00	WASHER, SPEC'L SHAP	2	
22	97313-06040-00	BOLT, HEXAGON	2	
23	95380-06600-00	NUT	2	
24	92995-06100-00	WASHER, SPRING	2	
25	92901-06600-00	WASHER	1	
26	90101-05496-00	BOLT	2	
27	95701-05500-00	NUT, FLANGE	2	

CONTINUED ON NEXT FRAME ➤

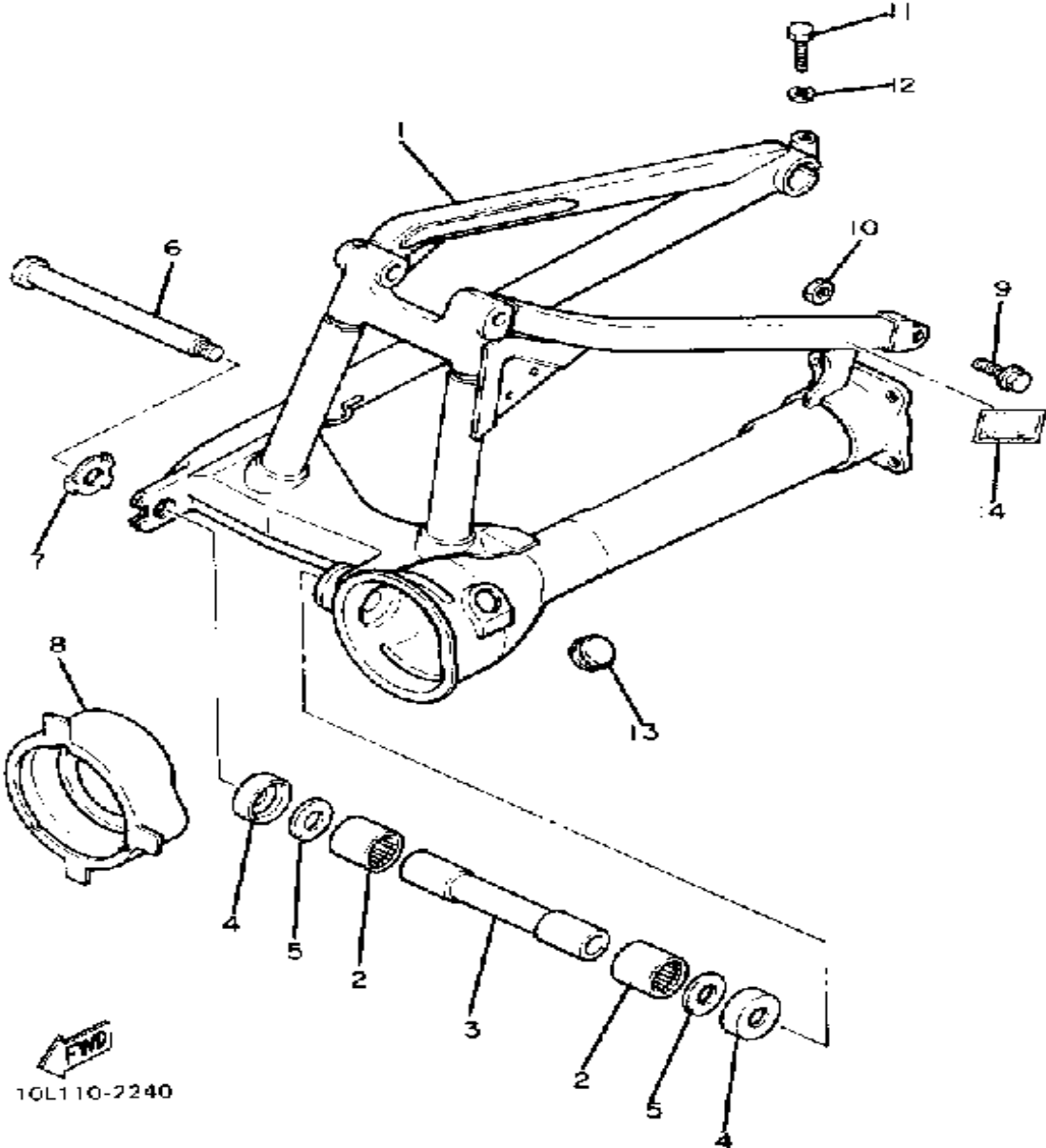
SIDE COVER-TOOL



Ref. No.	Part Number	Description	Qty	Remarks
28	10L-21248-00-00	BOX	1	
29	98503-06014-00	SCREW, PAN HEAD (92502-06016)	1	
30	92995-06100-00	WASHER, SPRING	1	
31	90201-06M02-00	WASHER, PLATE	1	
32	4X7-21719-00-00	GROMMET	1	
33	10L-2179A-00-00	CAP, TOOL BOX	1	
34	5A8-W2810-00-00	TOOL KIT	1	
35	4W5-W2171-00-00	WHEEL LOCK ASSEMBLY (4X7-W2171-00)	1	

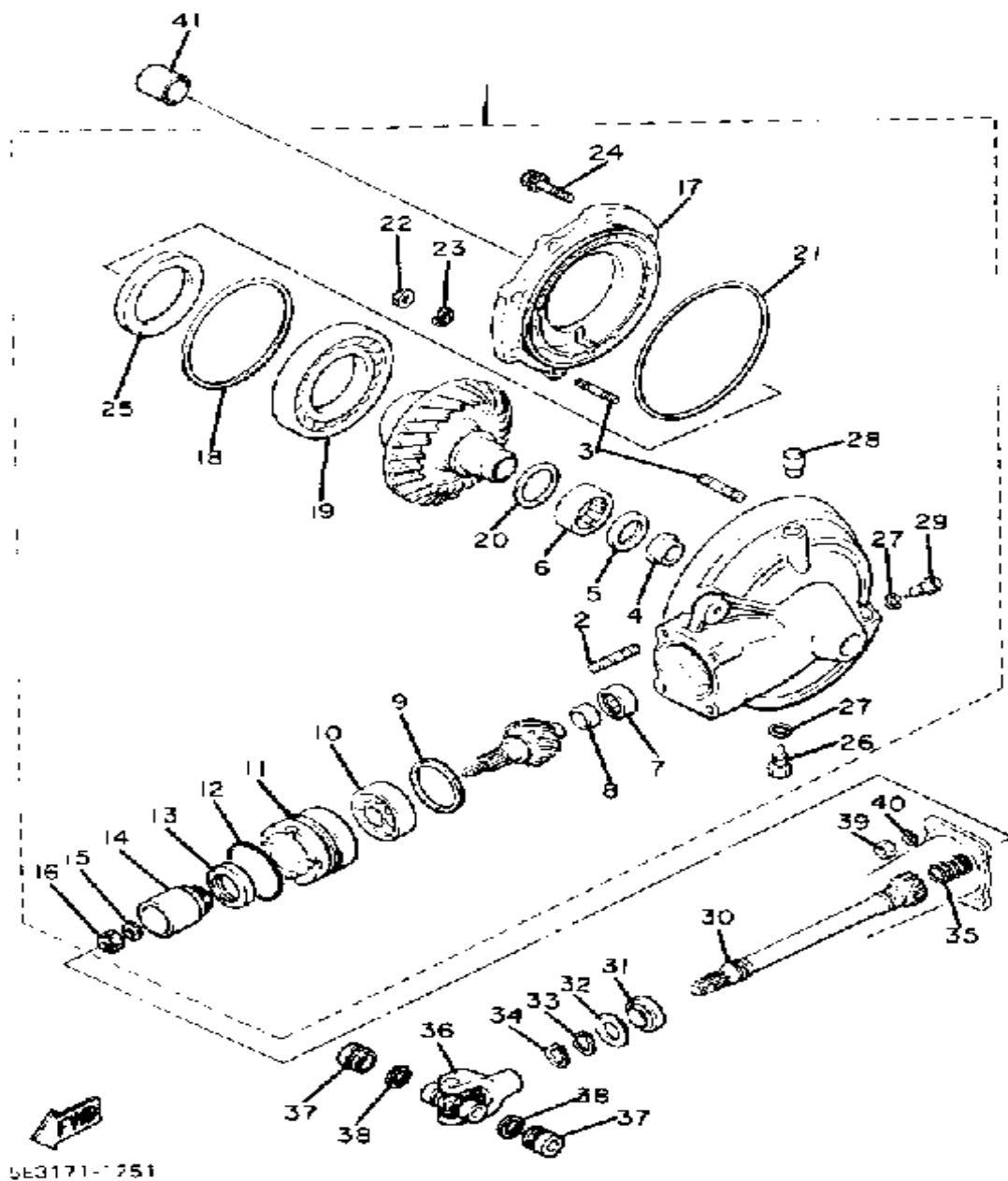
10L11C-223C

SWING ARM



Ref. No.	Part Number	Description	Qty	Remarks
1	4X7-22110-01-35	REAR ARM	1	SILVER
2	93320-32403-00	BEARING	2	
3	4X7-22124-00-00	BUSH 2	1	
4	4X7-22129-00-00	COVER, THRUST 2	2	
5	90201-244A8-00	WASHER, PLATE	2	U.R.
	90201-244A9-00	WASHER, PLATE	2	U.R.
	90201-245A0-00	WASHER, PLATE	2	U.R.
6	4X7-22141-00-00	SHAFT, PIVOT	1	
7	90215-16181-00	WASHER, LOCK	1	
8	4X7-22189-01-00	BOOT, RUBBER	1	
9	95811-10035-00	BOLT, FLANGE	1	
10	90179-10247-00	NUT	1	
11	97313-08035-00	BOLT, HEXAGON	1	
12	92990-08100-00	WASHER	1	
13	90338-20113-00	PLUG	1	
14	4H7-46181-10-00	LABEL, OIL CAUTION	1	

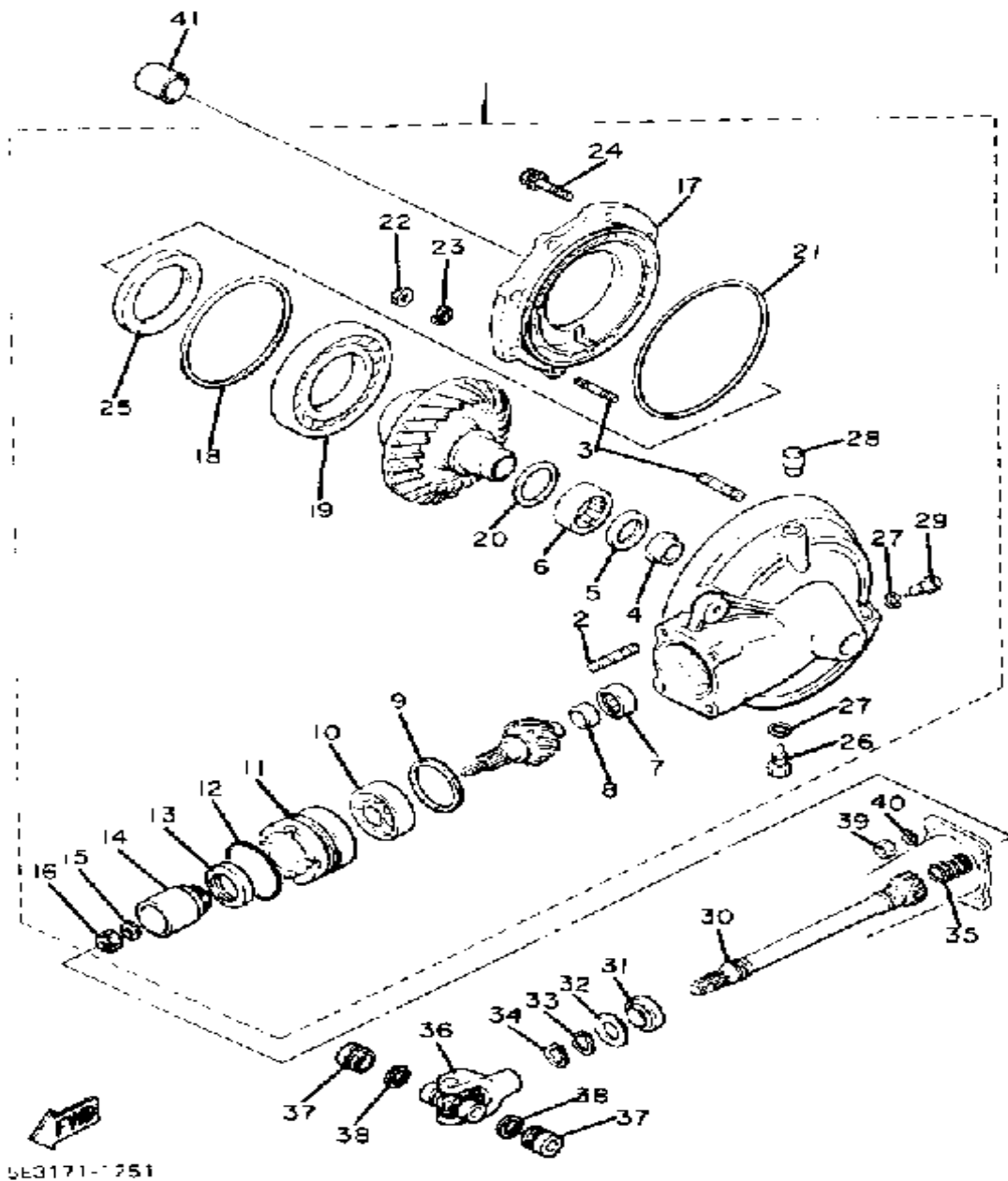
DRIVE SHAFT



Ref. No.	Part Number	Description	Qty	Remarks
1	(4X7-46101-01-00)	RR AXL GR CASE ASSEMBLY	1	
2	90116-10361-00	. BOLT, STUD	4	
3	90116-08360-00	. BOLT, STUD	6	
4	4H7-46153-00-00	. COLLAR, GUIDE	1	
5	93101-30084-00	. OIL SEAL	1	
6	93311-43729-00	. BEARING	1	
7	93317-41510-00	. BEARING	1	
8	2H7-46122-00-00	. RACE, INNER	1	
9	1J7-17537-Y0-30	. SHIM, THRUST (0.30T)	1	U.R.
	1J7-17537-Y0-40	. SHIM, THRUST (0.40T)	1	U.R.
	1J7-17537-Y0-50	. SHIM, THRUST (0.50T)	1	U.R.
10	93306-30533-00	. BEARING (B6305RB1 SPECIAL)	1	
11	4H7-46125-00-00	. RETAINER, BEARING	1	
12	93210-60426-00	. O-RING	1	
13	93101-38098-00	. OIL SEAL	1	
14	4H7-46123-00-00	. COUPLING, GEAR	1	
15	90201-14632-00	. WASHER, PLATE	1	
16	90185-14070-00	. NUT, SELF-LOCKING	1	
17	4H7-46152-00-00	. HOUSING, BEARING	1	
18	1J7-46117-Y0-25	. SHIM, RING GEAR (0.25T)	1	U.R.
	1J7-46117-Y0-30	. SHIM, RING GEAR (0.30T)	1	U.R.
	1J7-46117-Y0-35	. SHIM, RING GEAR	1	U.R.
	1J7-46117-Y0-40	. SHIM, RING GEAR (0.40T)	1	U.R.
	1J7-46117-Y0-50	. SHIM, RING GEAR (0.50T)	1	U.R.
19	93316-01403-00	. BEARING	1	
20	1J7-46118-Y0-18	. WASHER, THRUST	1	U.R.
	1J7-46118-Y0-19	. WASHER, THRUST	1	U.R.
	1J7-46118-Y0-20	. WASHER, THRUST	1	U.R.

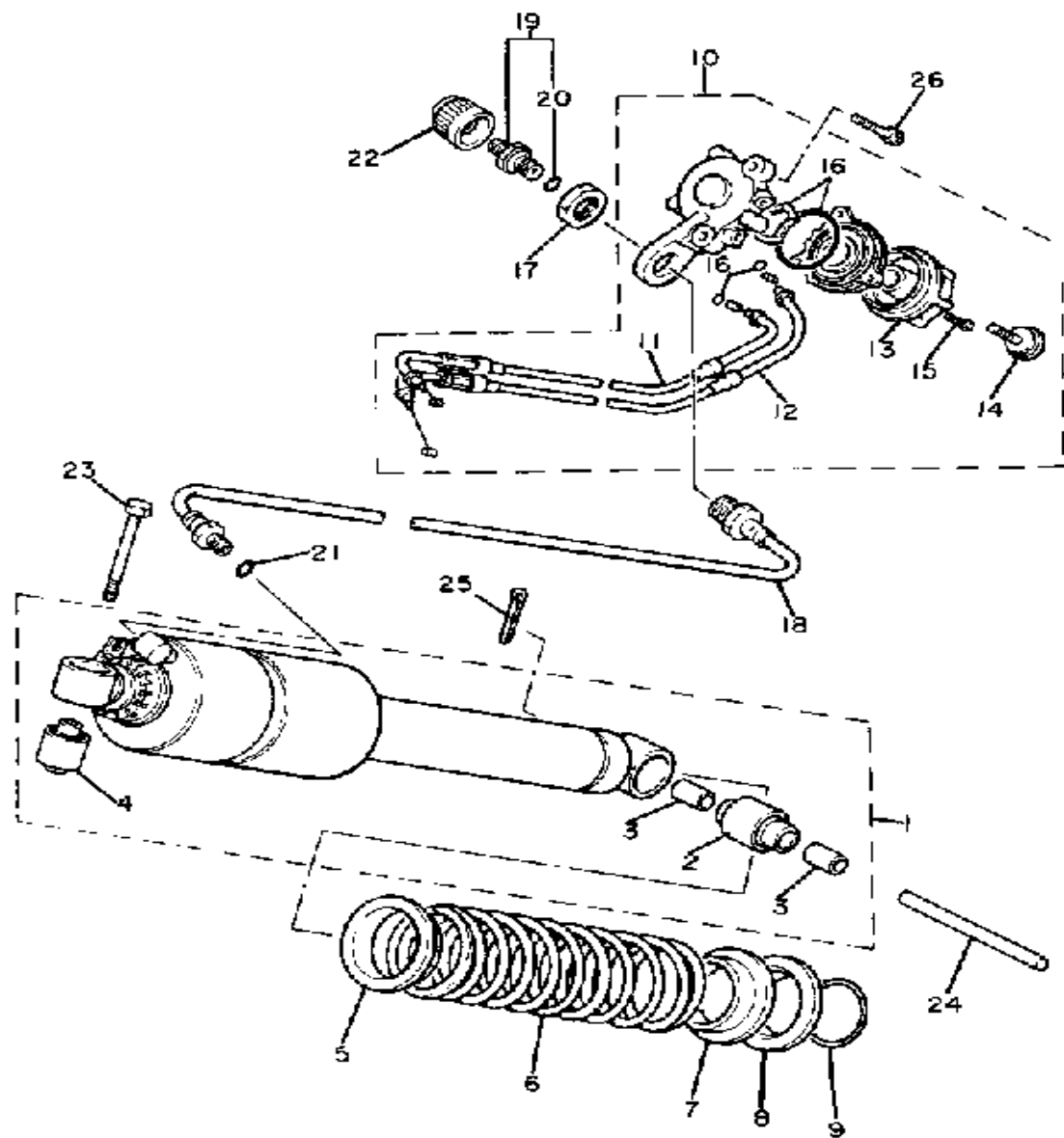
CONTINUED ON NEXT FRAME ►

DRIVE SHAFT



Ref. No.	Part Number	Description	Qty	Remarks
20	1J7-46118-Y0-21	. WASHER, THRUST	1	U.R.
	4H7-46118-00-14	. WASHER, THRUST	1	U.R.
	4H7-46118-00-15	. WASHER, THRUST	1	U.R.
	4H7-46118-00-16	. WASHER, THRUST	1	U.R.
	4H7-46118-00-17	. WASHER, THRUST	1	U.R.
	4H7-46118-00-22	. WASHER, THRUST	1	U.R.
	4H7-46118-00-23	. WASHER, THRUST	1	U.R.
21	93211-44348-00	. O-RING	1	
22	95333-08600-00	. NUT	6	
23	92901-08700-00	. WASHER, WAVE	6	
24	95811-10025-00	. BOLT, FLANGE	2	
25	93102-70167-00	. OIL SEAL	1	
26	3VD-13455-00-00	. PLUG	1	
27	214-11198-01-00	. GASKET	2	
28	2H7-17590-00-00	. BREATHER COMP.	1	
29	90340-14118-00	. PLUG, STRAIGHT	1	
30	4X7-46172-00-00	SHAFT, DRIVE	1	
31	93108-23007-00	OIL SEAL	1	
32	90201-231A2-00	WASHER, PLATE	1	
33	93410-23056-00	CIRCLIP	1	
34	93410-22039-00	CIRCLIP	1	
35	90501-16491-00	SPRING, COMPRESSION	1	
36	4X7-46180-00-00	CROSS JOINT COMP.	1	
37	93399-99926-00	BEARING	2	
38	93440-20088-00	CIRCLIP	2	
39	95311-10600-00	NUT	4	
40	92990-10100-00	WASHER, SPRING	4	
41	90387-172A5-00	COLLAR	1	

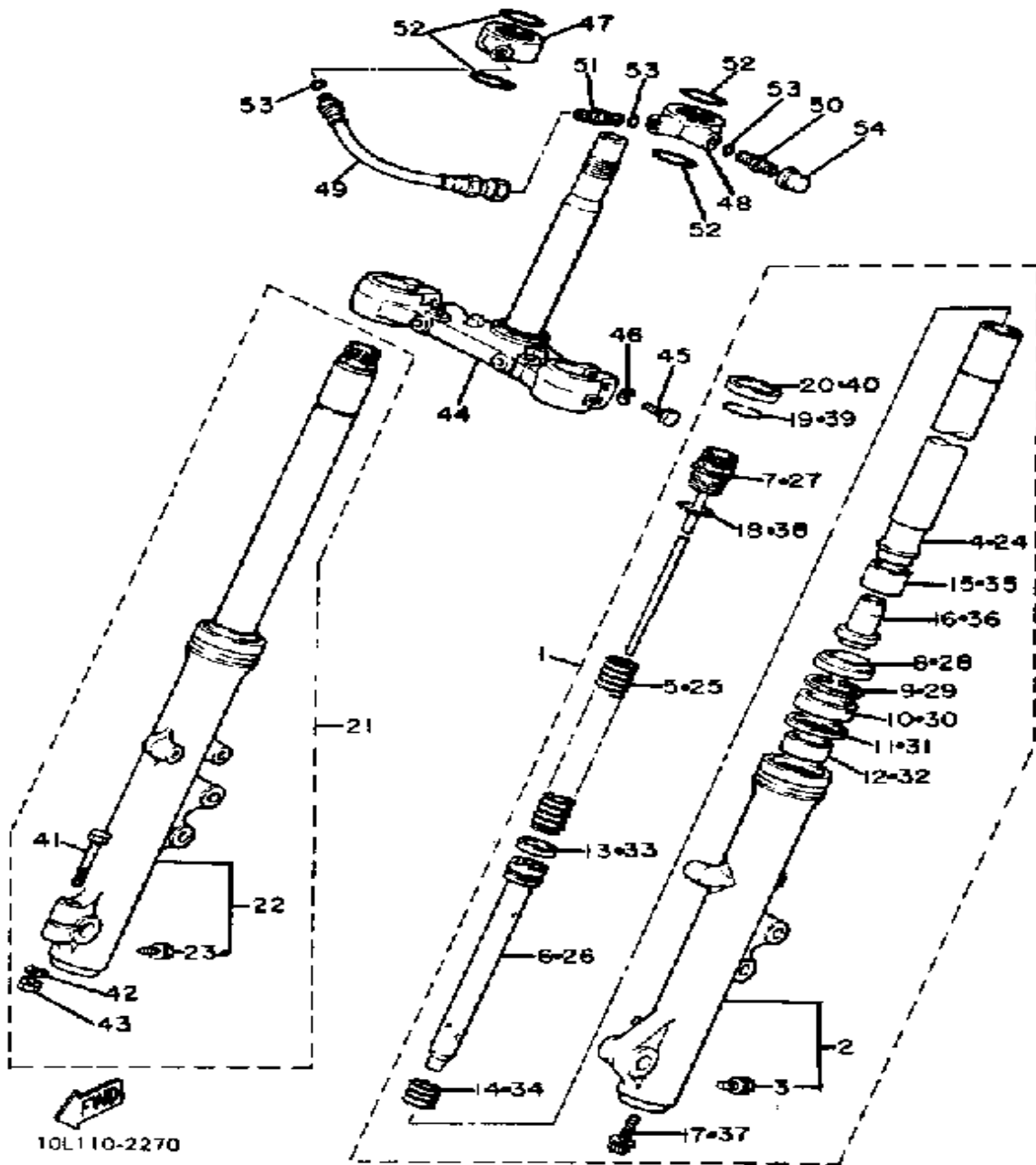
REAR SHOCKS



Ref. No.	Part Number	Description	Qty	Remarks
1	4X7-22201-00-00	DAMPER SUB ASSEMBLY	1	
2	3R4-22226-00-00	. BUSH, SHOCK ABS LWR	1	
3	90380-12051-00	. BUSH, SOLID	2	
4	1YW-22216-00-00	. BUSH, RR SHOCK ABS	1	
5	(4X7-22213-00-00)	SEAT, SPRING UPPER	1	
6	(10L-22212-00-00)	SPRING	1	
7	(50T-22224-00-00)	GUIDE, SPRING 2	1	
8	(3Y1-22223-00-00)	SEAT, SPRING LOWER	1	
9	93440-48079-00	CIRCLIP, OUTER	1	
10	4X7-22460-00-00	CONTROL PANEL ASSEMBLY	1	
11	(4X7-22463-00-00)	CABLE, CONTROL 1	1	
12	(4X7-22467-00-00)	CABLE, CONTROL 2	1	
13	(4X7-22464-00-00)	KNOB, CONTROL	1	
14	(90157-06021-00)	SCREW, PAN HEAD	1	
15	98580-04010-00	. SCREW, PAN HEAD	3	
16	4X7-W0005-00-00	. O-RING SET	1	
17	90170-16278-00	NUT, HEXAGON	1	
18	4X7-22470-00-00	HOSE, AIR	1	
19	4X7-W2241-00-00	AIR VALVE ASSEMBLY	1	
20	93210-08483-00	. O-RING	1	
21	93210-08483-00	O-RING	1	
22	4X7-22498-00-00	CAP, ADJUST	1	
23	90101-12498-00	BOLT	1	
24	93612-99168-00	PIN, DOWEL	1	
25	91401-40040-00	PIN, COTTER	1	
26	91311-06016-00	BOLT, SOCKET HEAD	2	

 10L110-2260

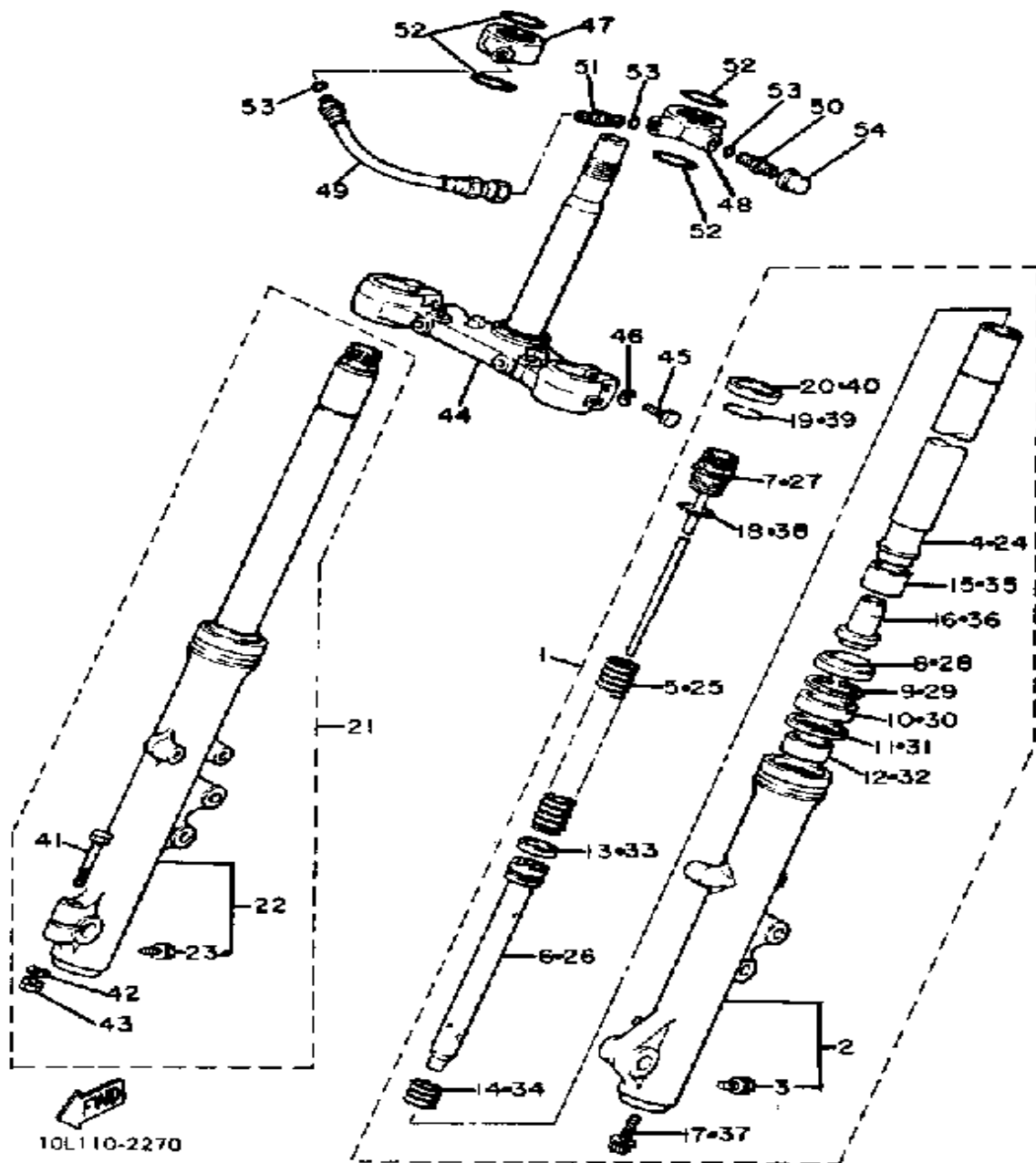
FRONT FORK



Ref. No.	Part Number	Description	Qty	Remarks
1	(10L-23102-00-00)	FRONT FORK ASSEMBLY L	1	
2	10L-23126-00-00	. TUBE, OUTER 1	1	
3	(10M-23119-00-00)	PLUG, DRAIN	1	
4	10L-23110-00-00	. INNER TUBE 1	1	
5	(10L-23141-00-00)	SPRING, FRONT FORK	1	
6	(10L-23170-00-00)	CYLINDER, FRTRFK	1	
7	(10L-23111-00-00)	BOLT, CAP	1	
8	1KH-23144-00-00	. SEAL, DUST	1	
9	34X-23156-00-00	. CLIP, OIL SEAL	1	
10	1KH-23145-00-00	. OIL SEAL	1	
11	1KH-23147-00-00	. SEAL, SPACER	1	
12	5G2-23125-00-00	. METAL, SLIDE 1	1	
13	1T4-23157-01-00	. RING, PISTON FRTRFK (2F3-23157-00)	1	
14	10M-23151-00-00	. SPRING, REBOUND	1	
15	3H3-23135-00-00	. METAL, SLIDE 2	1	
16	10M-23166-00-00	. SPACER, OIL LOCK	1	
17	3M7-23181-00-00	. BOLT, HEX SCKT HEAD	1	
18	3H3-23114-00-00	. GASKET	1	
19	5G2-23153-00-00	. RING, SNAP	1	
20	5G2-23163-00-00	. GASKET	1	
21	(10L-23103-00-00)	FRONT FORK ASSEMBLY R	1	
22	10L-23136-00-00	. TUBE, OUTER 2	1	
23	(10M-23119-00-00)	PLUG, DRAIN	1	
24	10L-23110-00-00	. INNER TUBE 1	1	
25	(10L-23141-00-00)	SPRING, FRONT FORK	1	
26	(10L-23170-00-00)	CYLINDER, FRTRFK	1	
27	(10L-23111-00-00)	BOLT, CAP	1	
28	1KH-23144-00-00	. SEAL, DUST	1	

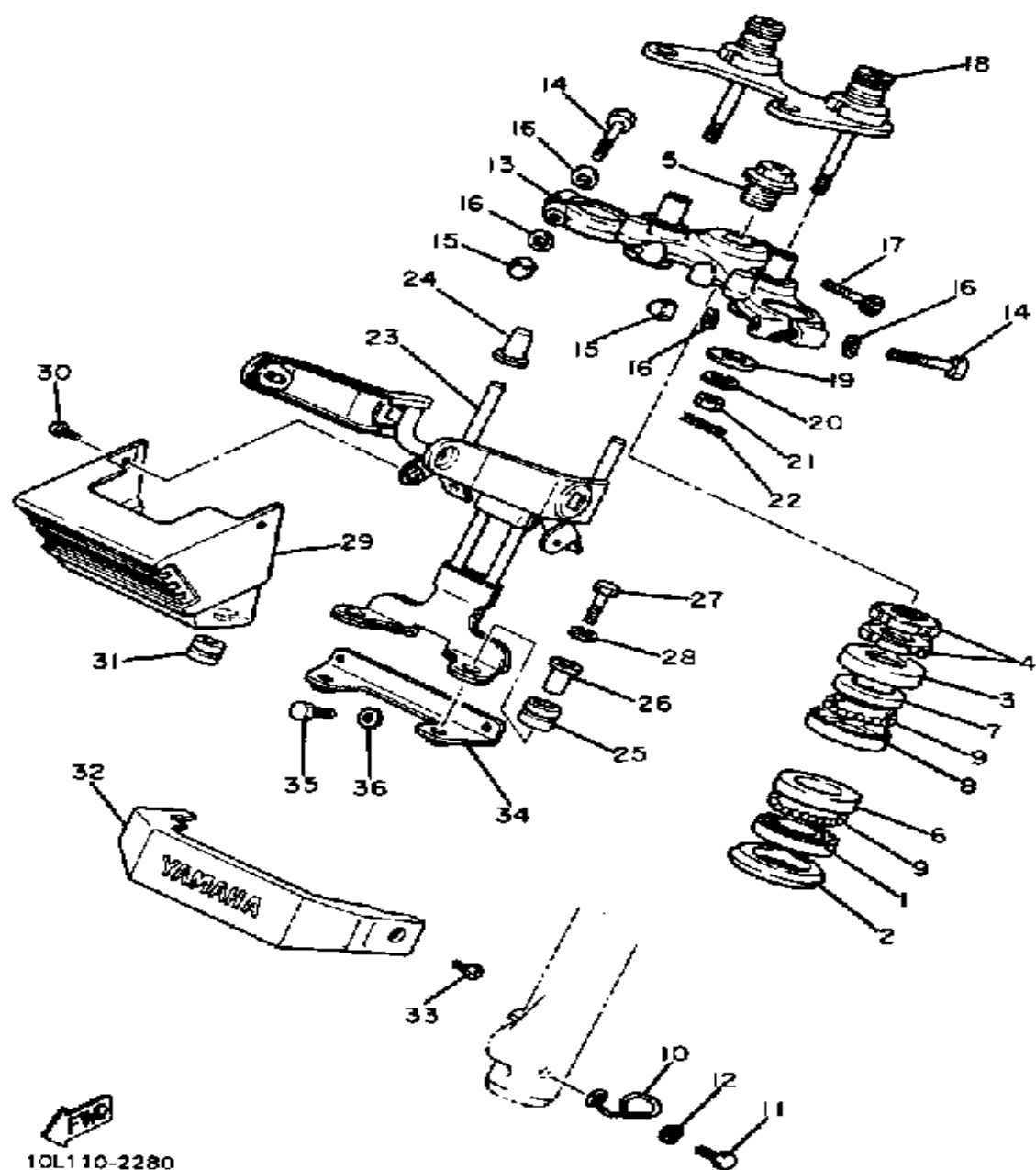
CONTINUED ON NEXT FRAME ►

FRONT FORK



Ref. No.	Part Number	Description	Qty	Remarks
29	34X-23156-00-00	. CLIP, OIL SEAL	1	
30	1KH-23145-00-00	. OIL SEAL	1	
31	1KH-23147-00-00	. SEAL, SPACER	1	
32	5G2-23125-00-00	. METAL, SLIDE 1	1	
33	1T4-23157-01-00	. RING, PISTON FRTRFRK (2F3-23157-00)	1	
34	10M-23151-00-00	. SPRING, REBOUND	1	
35	3H3-23135-00-00	. METAL, SLIDE 2	1	
36	10M-23166-00-00	. SPACER, OIL LOCK	1	
37	3M7-23181-00-00	. BOLT, HEX SCKT HEAD	1	
38	3H3-23114-00-00	. GASKET	1	
39	5G2-23153-00-00	. RING, SNAP	1	
40	5G2-23163-00-00	. GASKET	1	
41	2G2-23128-00-00	. BOLT, AXLE HOLDER	1	
42	92990-08100-00	. WASHER	1	
43	92811-08200-00	. NUT (CROWN/SLOT)	1	
44	10L-23340-00-00	UNDER BRACKET	1	
45	3J3-23346-00-00	BOLT 1	4	
46	3J3-23159-00-00	WASHER, SPRING LWR	4	
47	(10L-2319A-00-00)	JOINT, AIR	1	
48	(10L-2318A-00-00)	JOINT, AIR 1	1	
49	(10L-2318F-00-00)	HOSE, AIR	1	
50	5K7-23190-00-00	AIR VALVE	1	
51	10M-2318E-00-00	CONNECTOR	1	
52	5G2-23188-00-00	O-RING	4	
53	3H3-23147-00-00	O-RING	3	
54	5K7-23184-00-00	CAP, AIR VALVE	1	

STEERING

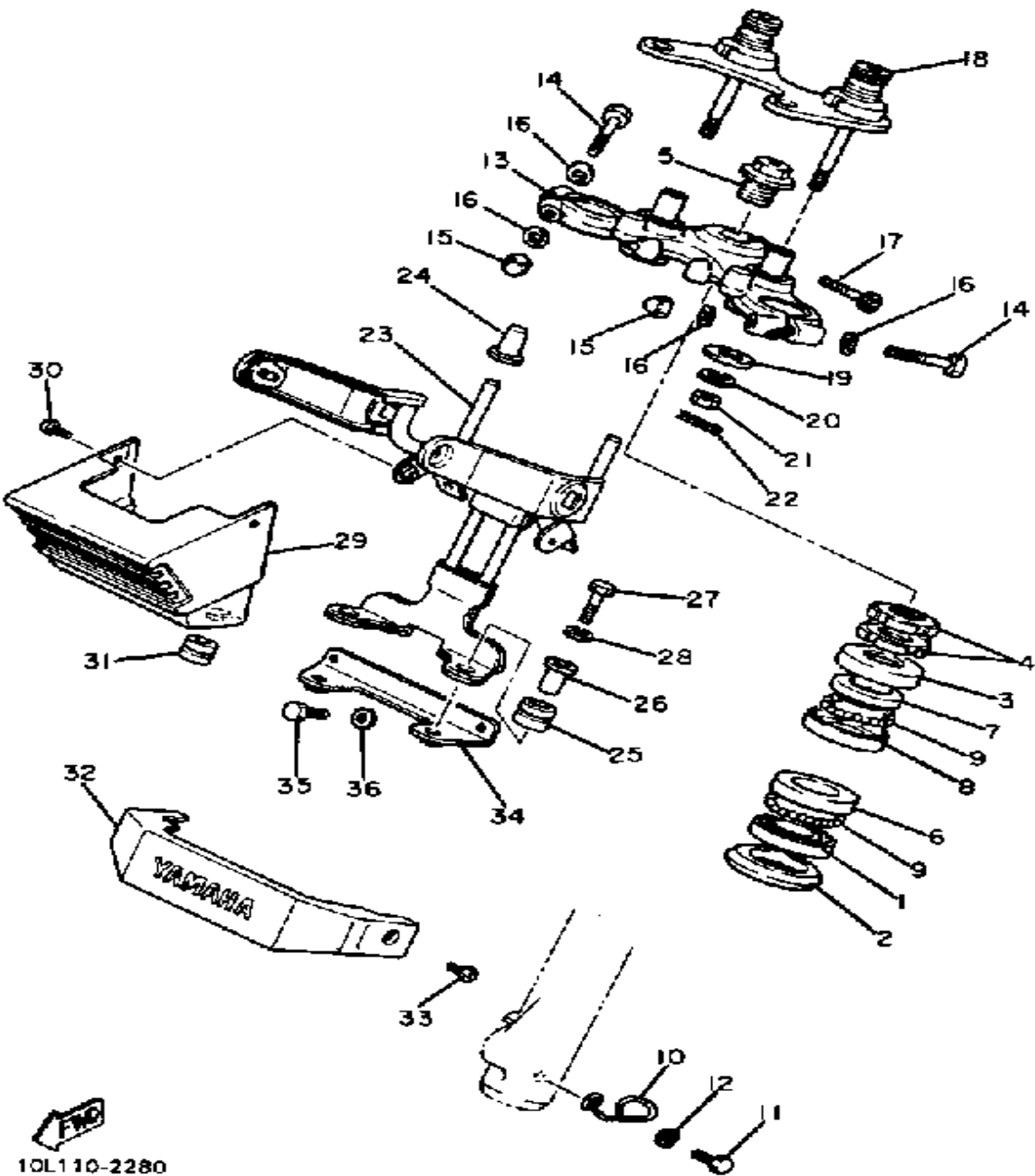


10L110-2280

Ref. No.	Part Number	Description	Qty	Remarks
1	256-23411-00-00	RACE, BALL 1	1	
2	164-23462-00-00	SEAL, STEERING	1	
3	4K0-23415-00-00	COVER, BALL RACE 1	1	
4	90179-25495-00	NUT, SPEC'L SHAPE	2	
5	90109-14602-00	BOLT	1	
6	256-23412-00-00	RACE, BALL 2	1	
7	256-23413-00-00	RACE, BALL 3	1	
8	256-23414-00-00	RACE, BALL 4	1	
9	93501-04011-00	BALL	38	
10	4H3-23318-00-00	HOLDER, CABLE 1	1	
11	97013-06012-00	BOLT	1	
12	92995-06100-00	WASHER, SPRING	1	
13	10L-W2341-00-98	CROWN, HANDLE	1	LOW GLOSS BLACK
14	97026-08055-00	BOLT	2	
15	95306-08800-00	NUT (CROWN)	2	
16	92906-08600-00	WASHER	4	
17	91316-08040-00	BOLT, SOCKET HEAD	1	
18	10L-23442-00-00	HOLDER, HANDLE LWR	1	
19	90201-100A1-00	WASHER, PLATE	2	
20	92906-10100-00	WASHER, SPRING	2	
21	95306-10700-00	NUT	2	
22	90468-12124-00	CLIP	2	
23	10L-23174-01-00	STAY, HEADLIGHT	1	
24	11H-2317J-00-00	DAMPER 1	2	
25	90480-14023-00	GROMMET	2	
26	90387-06388-00	COLLAR	2	
27	97016-06025-00	BOLT	2	
28	92906-06100-00	WASHER, SPRING	2	
29	10L-2317L-00-00	COVER, HORN	1	

CONTINUED ON NEXT FRAME ►

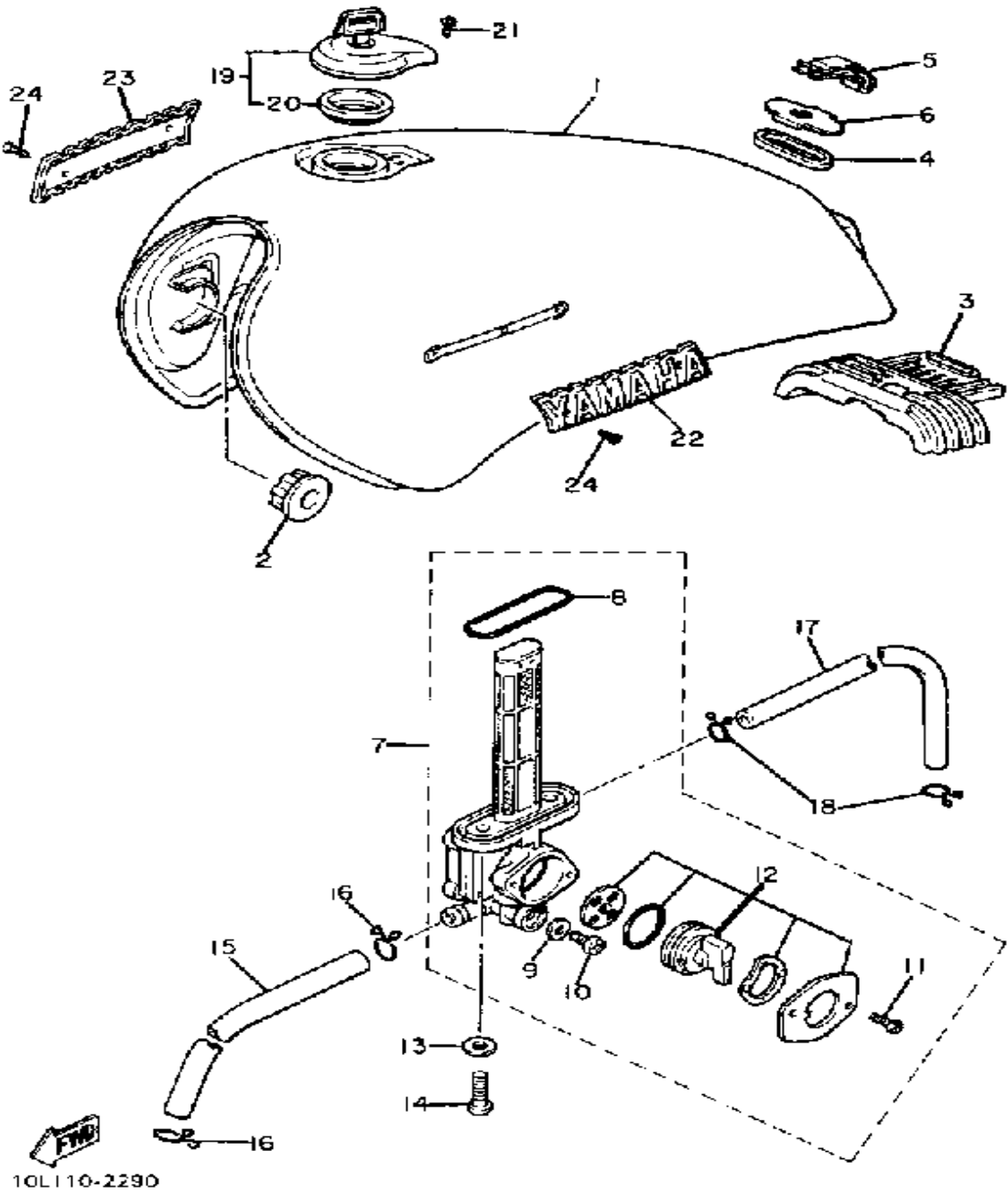
STEERING



10L110-2280

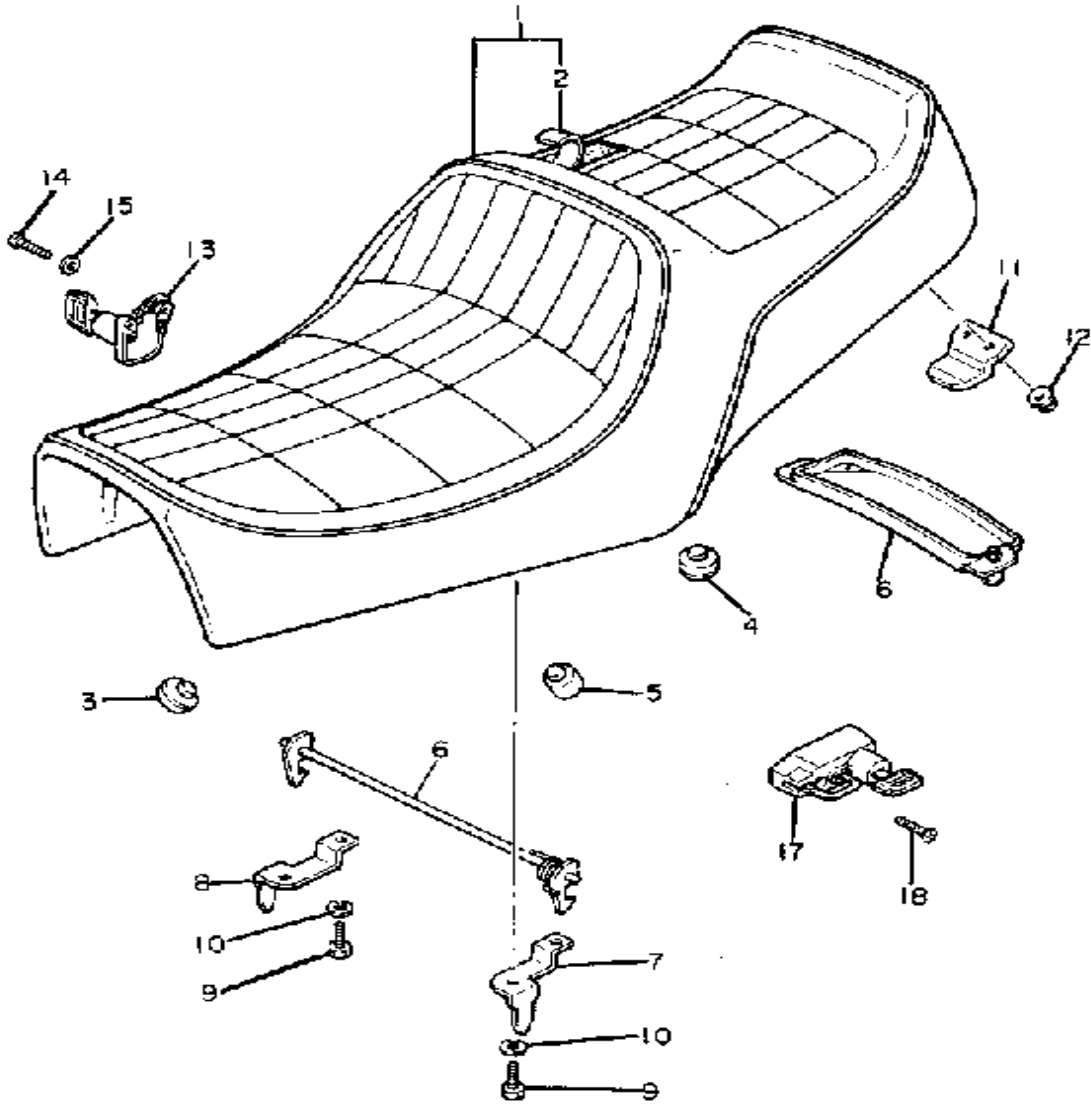
Ref. No.	Part Number	Description	Qty	Remarks
30	98906-06012-00	SCREW, BIND	2	
31	90480-12053-00	GROMMET	2	
32	10L-23122-00-00	COVER, OUTER 1	1	
33	98903-05010-00	SCREW, BIND	2	
34	10L-23175-00-00	BRKT, HDLT STAY 1	1	
35	91316-06016-00	BOLT, SOCKET HEAD	2	
36	92906-06200-00	WASHER	2	

FUEL TANK



Ref. No.	Part Number	Description	Qty	Remarks
1	10L-24110-00-6G	FUEL TANK	1	UR NW YAMAHA BLK
	10L-24110-00-7J	FUEL TANK	1	UR NEW RUBY RED
2	4H7-24181-00-00	DAMPER, LOCATING 1	2	
3	4X7-24182-01-00	DAMPER, LOCATING 2	1	
4	4K0-24183-00-00	DAMPER, LOCATING 3	1	
5	4X7-2411M-00-00	CLIP	1	
6	4K0-24186-00-00	WASHER, SPECIAL	1	
7	10L-24500-00-00	FUEL COCK ASSEMBLY 1	1	
8	2W6-24512-00-00	. O-RING	1	
9	2G2-24522-00-00	. GASKET	1	
10	98580-06008-00	. SCREW, PAN HEAD	1	
11	98580-03008-00	. SCREW, PAN HEAD	2	
12	10L-W0092-00-00	. FUEL COCK VLV SET	1	
13	90202-05187-00	WASHER, PLATE	2	
14	90149-06011-00	SCREW	2	
15	90445-11701-00	HOSE	1	
16	90467-10008-00	CLIP	2	
17	90445-09622-00	HOSE	1	
18	90467-08003-00	CLIP	2	
19	4X7-24602-02-00	CAP ASSEMBLY	1	
20	4X7-24612-00-00	. . GASKET, CAP	1	
21	98506-05010-00	SCREW, PAN HEAD	1	
22	10L-24161-00-00	EMBLEM 1	1	
23	10L-24162-00-00	EMBLEM 2	1	
24	90152-04006-00	SCREW, COUNTERSUNK	4	

SEAT

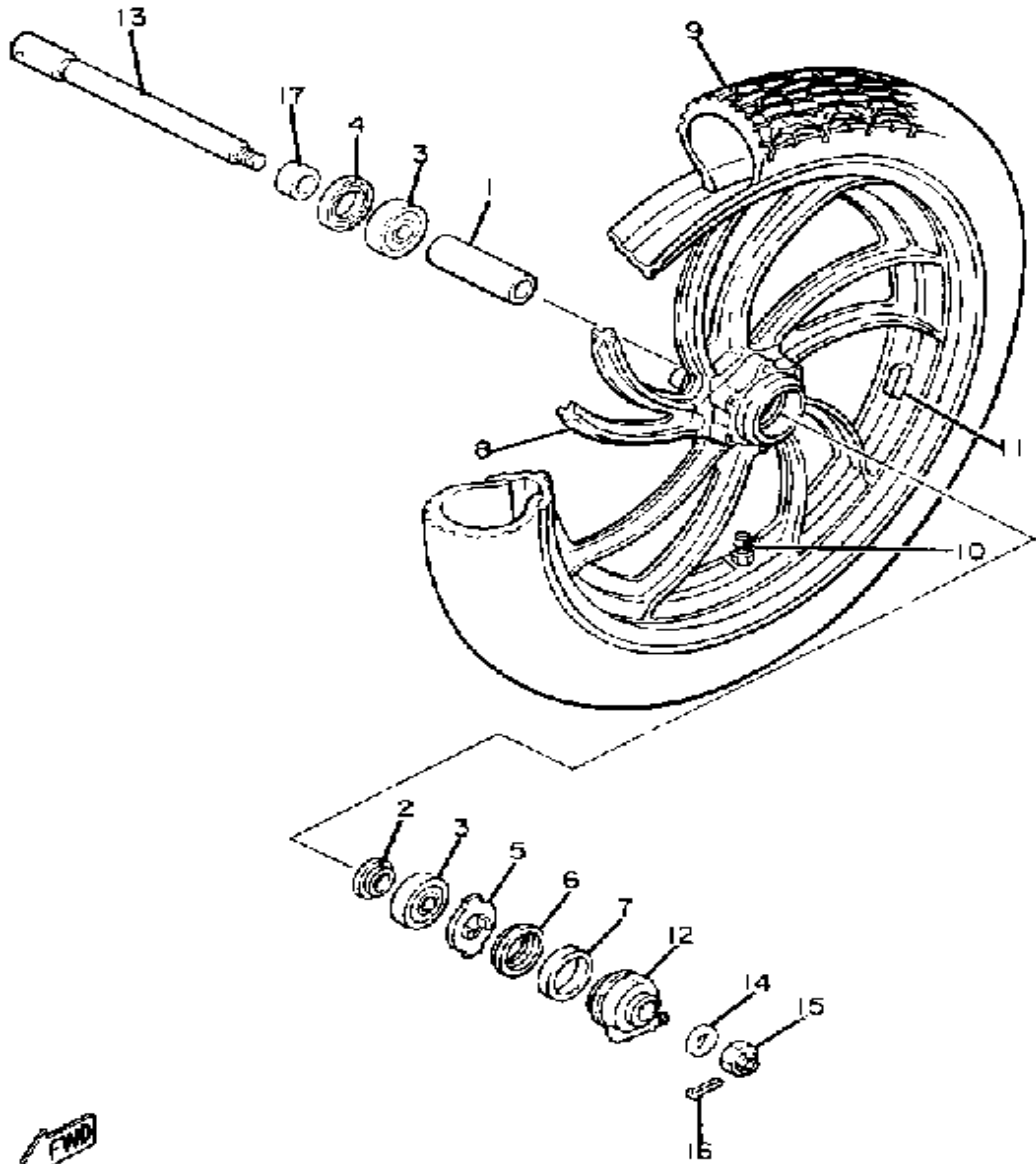


Ref. No.	Part Number	Description	Qty	Remarks
1	(10L-W2472-00-00)	DOUBLE SEAT ASSEMBLY ...	1	
2	10L-24731-00-00	. COVER, DOUBLE SEAT	1	
3	1L9-24741-00-00	PAD, SEAT	5	
4	1T4-24741-00-00	PAD, SEAT	2	
5	371-27114-00-00	STOPPER, MAIN STAND	2	
6	4X7-24776-01-00	LEVER, SEAT	1	
7	4X7-24728-00-00	BRACKET, SEAT	1	
8	4X7-24738-00-00	BRACKET, SEAT	1	
9	97313-06016-00	BOLT, HEXAGON	4	
10	92995-06100-00	WASHER, SPRING	4	
11	4X7-24748-00-00	BRACKET, SEAT	1	
12	95701-06500-00	NUT, FLANGE	2	
13	23W-24705-00-00	SEAT LOCK ASSEMBLY (10L-24705-00)	1	
14	98506-06016-00	SCREW, PANHEAD	2	
15	92906-06600-00	WASHER	2	
16	4X7-2473T-02-00	LID 1	1	
17	26H-21308-00-00	HELMET HANGER ASSEMBLY (4R8-21308-00)	1	
18	90149-06150-00	SCREW	1	




TOL110-2300

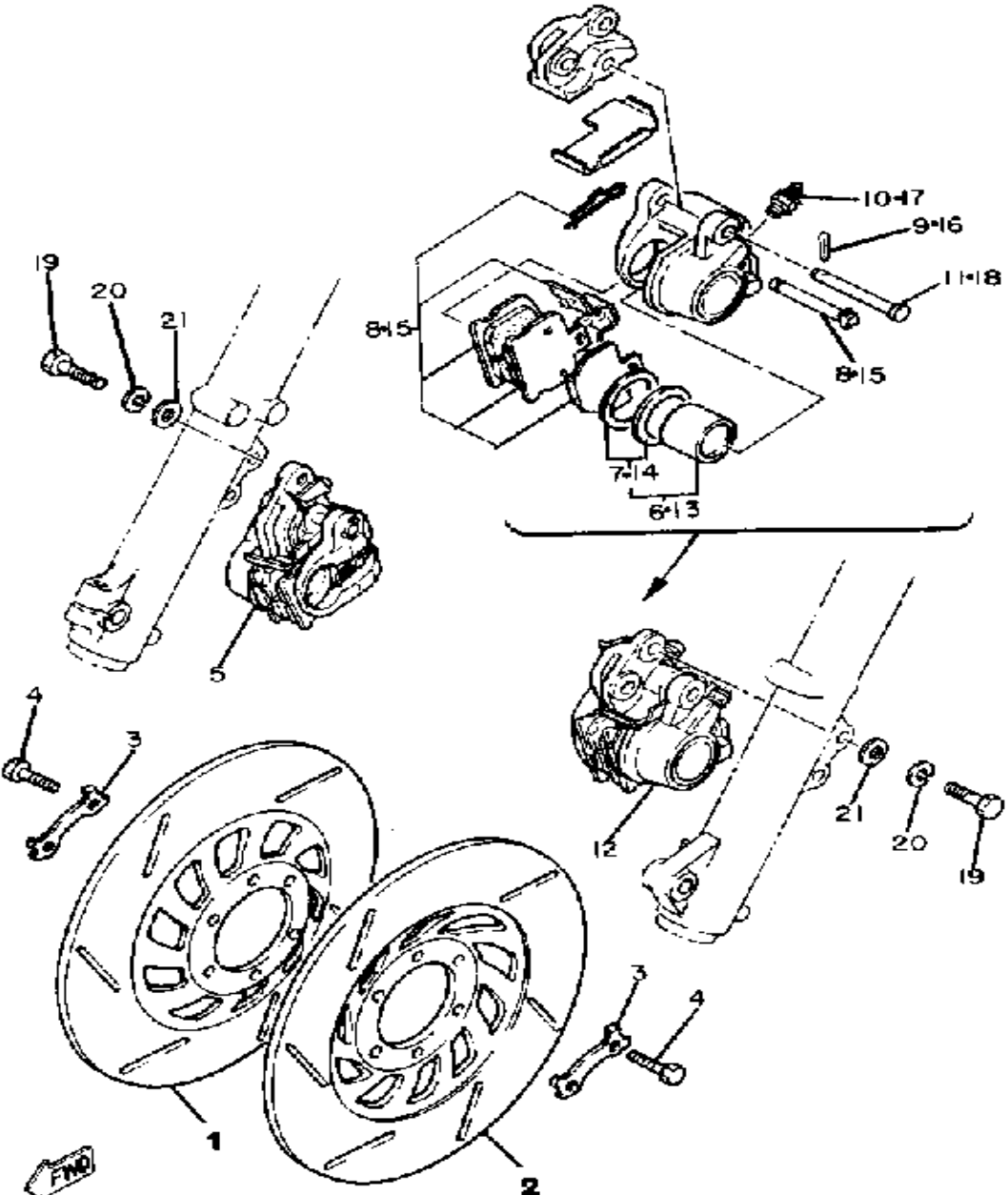
FRONT WHEEL



Ref. No.	Part Number	Description	Qty	Remarks
1	90560-15116-00	SPACER	1	
2	146-25115-00-00	FLANGE, SPACER 1	1	
3	93306-30202-00	BEARING	2	
4	93102-22014-00	OIL SEAL	1	
5	341-25149-00-00	CLUTCH, METER	1	
6	341-25846-00-00	RETAINER, CLUTCH	1	
7	93105-45017-00	OIL SEAL	1	
8	4H7-25168-29-98	WHEEL, CAST FRONT	1	LOW GLOSS BLACK
9	94135-19498-00	350H19 L303 TL	1	BRIDGESTONE
10	93900-00001-00	VALVE, RIM	1	BRIDGESTONE
11	1A1-25398-01-00	BALANCER, WHEEL	1	U.N.
	1A1-25399-00-00	BALANCER, WHEEL	1	U.N.
	2M0-25399-00-00	BALANCER, WHEEL	1	U.N.
12	4H7-25190-00-00	GEAR UNIT ASSEMBLY	1	
13	4H7-25181-01-00	AXLE, WHEEL	1	
14	92990-14200-00	WASHER, PLAIN	1	
15	90171-14020-00	NUT, CASTLE	1	
16	91401-30030-00	PIN, COTTER	1	
17	90387-15734-00	COLLAR	1	

 10L110-2310

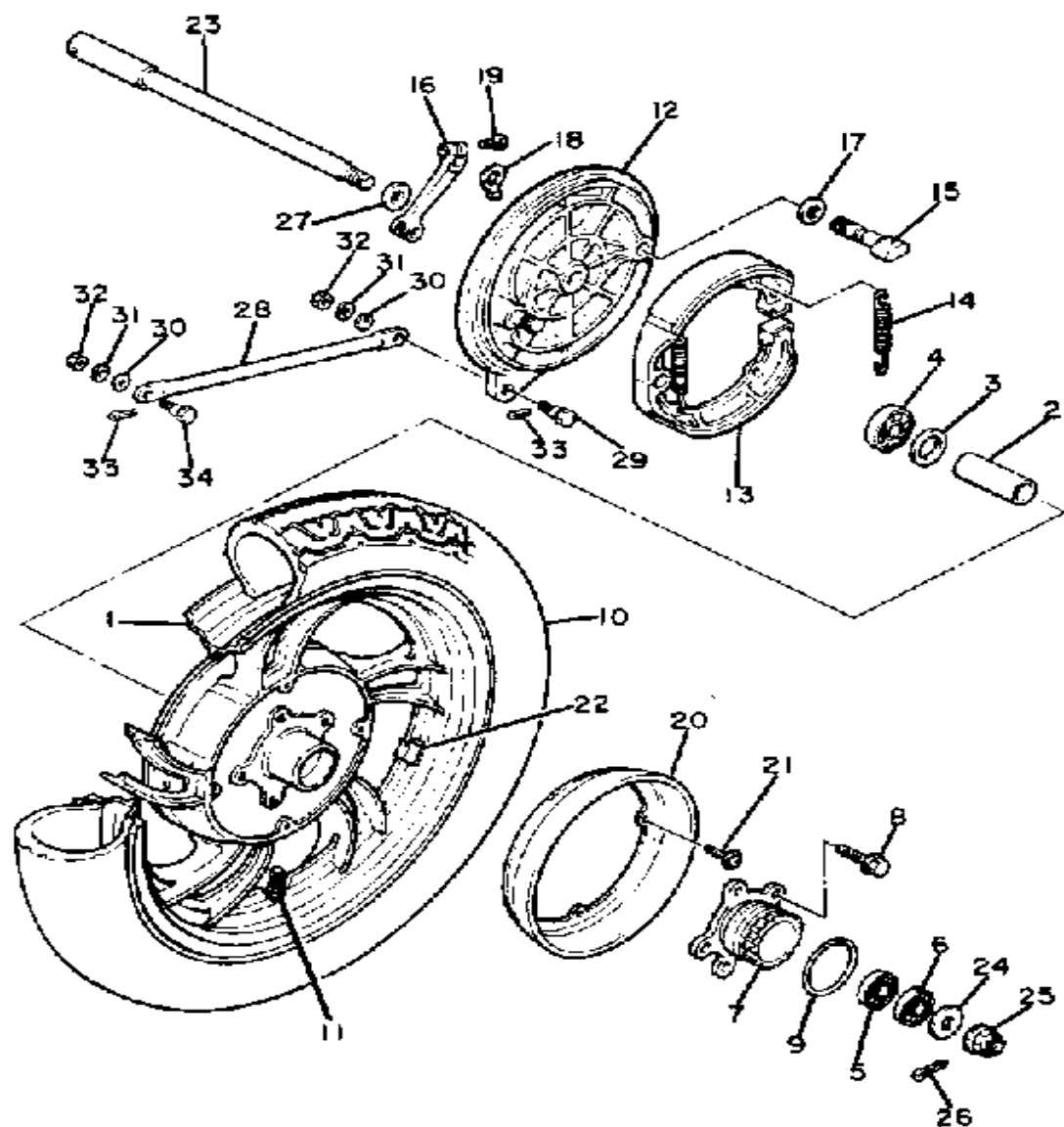
FRONT BRAKE-CALIPER



10L110-2320

Ref. No.	Part Number	Description	Qty	Remarks
1	5G9-25831-00-00	DISC, BRAKE	1	
2	5G9-25831-10-00	DISC, BRAKE	1	
3	3H5-25834-00-00	WASHER, LOCK	6	
4	90101-08477-00	BOLT	12	
5	23W-25810-01-00	CALIPER ASSEMBLY RIGHT ..	1	
6	4W1-W0057-00-00	. PISTON ASSEMBLY, CALIPER	1	
7	4L0-W0047-01-00	.. CALIPER SEAL KIT	1	
8	23W-W0045-01-00	. BRAKE PAD KIT	1	
9	91490-20015-00	. PIN, COTTER	1	
10	1J3-W0048-00-00	. BLEED SCREW KIT	1	
11	4W1-25914-00-00	. PIN, SLIDE	1	
12	23W-25810-11-00	CALIPER ASSEMBLY.	1	
13	4W1-W0057-00-00	. PISTON ASSEMBLY, CALIPER	1	
14	4L0-W0047-01-00	.. CALIPER SEAL KIT	1	
15	23W-W0045-01-00	. BRAKE PAD KIT	1	
16	91490-20015-00	. PIN, COTTER	1	
17	1J3-W0048-00-00	. BLEED SCREW KIT	1	
18	4W1-25914-00-00	. PIN, SLIDE	1	
19	90105-10638-00	BOLT, WASHER BASED	4	
20	92990-10100-00	WASHER, SPRING	4	
21	92990-10200-00	WASHER, PLAIN	4	

REAR WHEEL

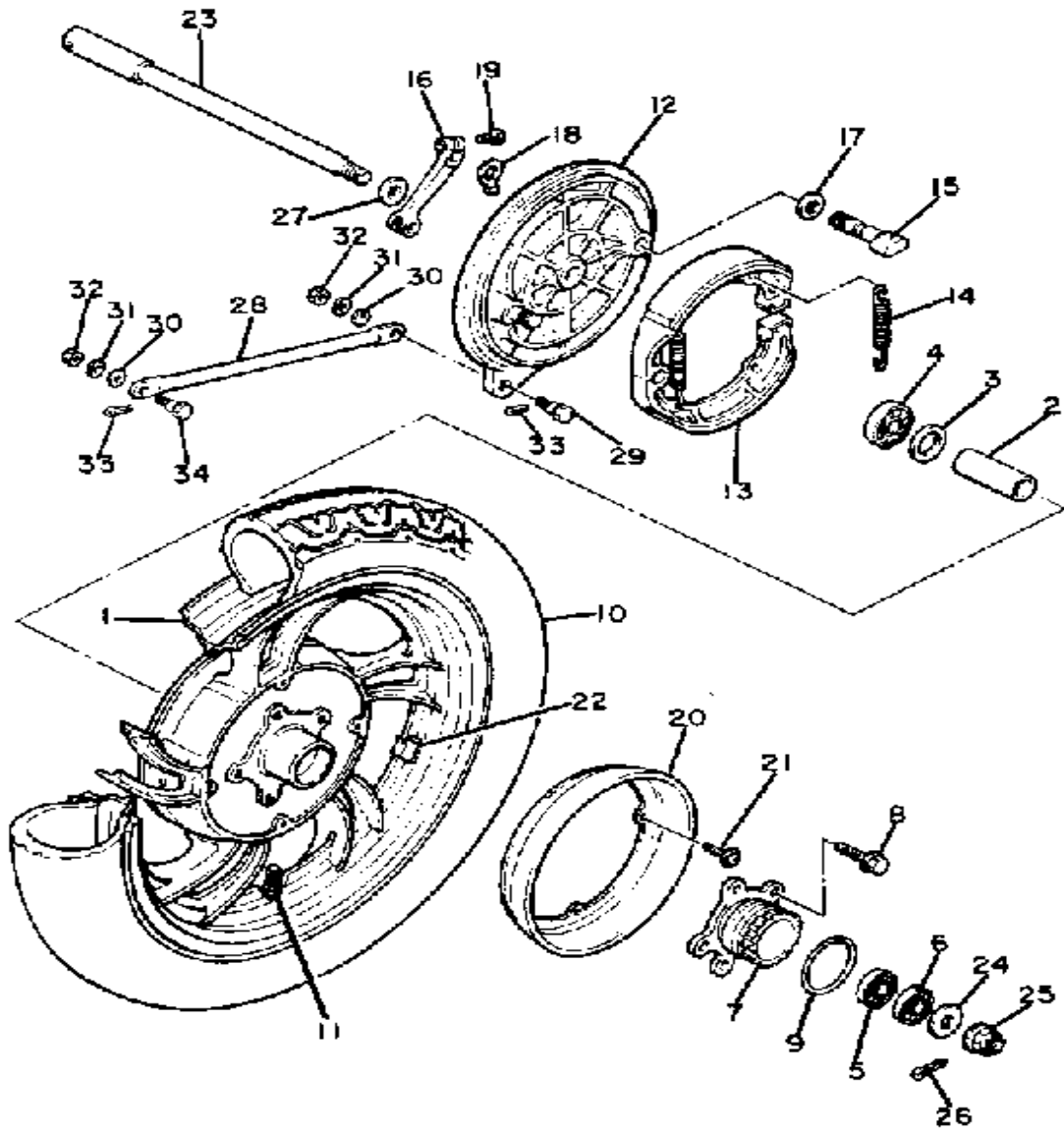


FWG
10L110-2330

Ref. No.	Part Number	Description	Qty	Remarks
1	10L-25338-20-98	WHEEL, CAST REAR	1	LOW GLOSS BLACK
2	90560-17125-00	SPACER	1	
3	146-25315-00-00	FLANGE, SPACER	1	
4	93306-30309-00	BEARING	1	
5	93306-20310-00	BEARING	1	
6	93306-20310-00	BEARING	1	
7	4H7-25366-01-00	CLUTCH, HUB	1	
8	90105-10200-00	BOLT, WASHER BASED	5	
9	93210-57428-00	O-RING	1	
10	94113-161J2-00	130/90-16 G528 BS	1	BRIDGESTONE
11	93900-00001-00	VALVE, RIM	1	BRIDGESTONE
12	4K0-25321-01-00	PLATE BRAKE SHOE	1	
13	5A8-W2536-00-00	BRAKESHOE SET-2PCS	2	
14	90507-20002-00	SPRING, TENSION	2	
15	4H7-25351-00-00	CAMSHAFT	1	
16	371-25355-02-00	LEVER, CAMSHAFT	1	
17	90201-14218-00	WASHER, PLATE	1	
18	4H7-2533A-02-00	PLATE, INDICATOR	1	
19	90101-06291-00	BOLT	1	
20	4H7-25327-00-00	COVER, PLATE	1	
21	90159-05018-00	SCREW, WITH WASHER	4	
22	1A1-25398-01-00	BALANCER, WHEEL	1	U.N.
	1A1-25399-00-00	BALANCER, WHEEL	1	U.N.
	2M0-25399-00-00	BALANCER, WHEEL	1	U.N.
23	4H7-25381-00-00	AXLE, WHEEL	1	
24	90201-144J5-00	WASHER, PLATE	1	
25	90171-14031-00	NUT, CASTLE	1	
26	91401-30030-00	PIN, COTTER	1	
27	56W-25377-00-00	COLLAR, WHEEL	1	

CONTINUED ON NEXT FRAME ►

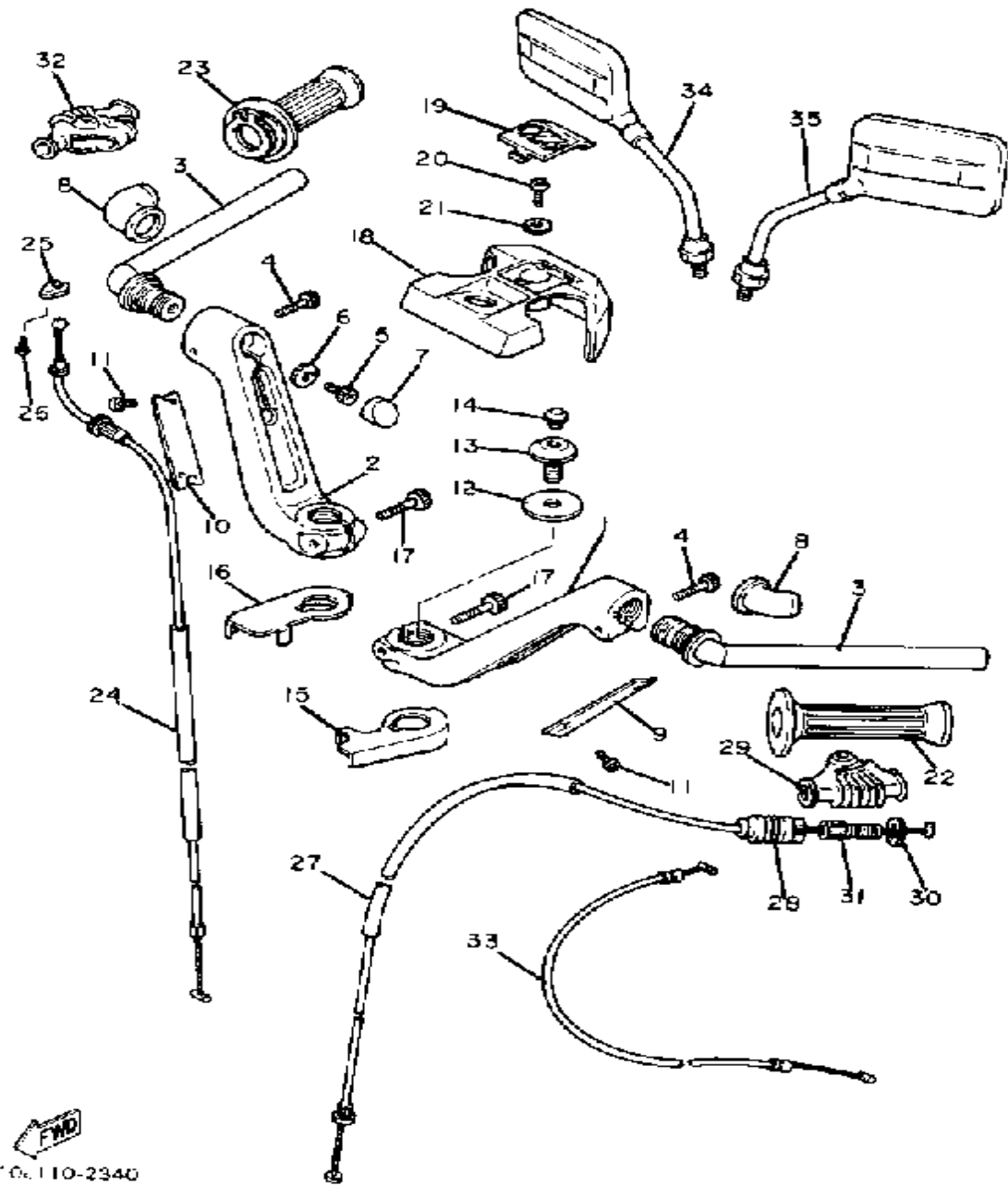
REAR WHEEL



Ref. No.	Part Number	Description	Qty	Remarks
28	4X7-25371-00-00	BAR, TENSION	1	
29	90109-08406-00	BOLT	1	
30	92901-08600-00	WASHER	2	
31	92990-08100-00	WASHER	2	
32	95303-08700-00	NUT	2	
33	91490-20020-00	PIN, COTTER	2	
34	90109-08368-00	BOLT	1	

 10L110-2330

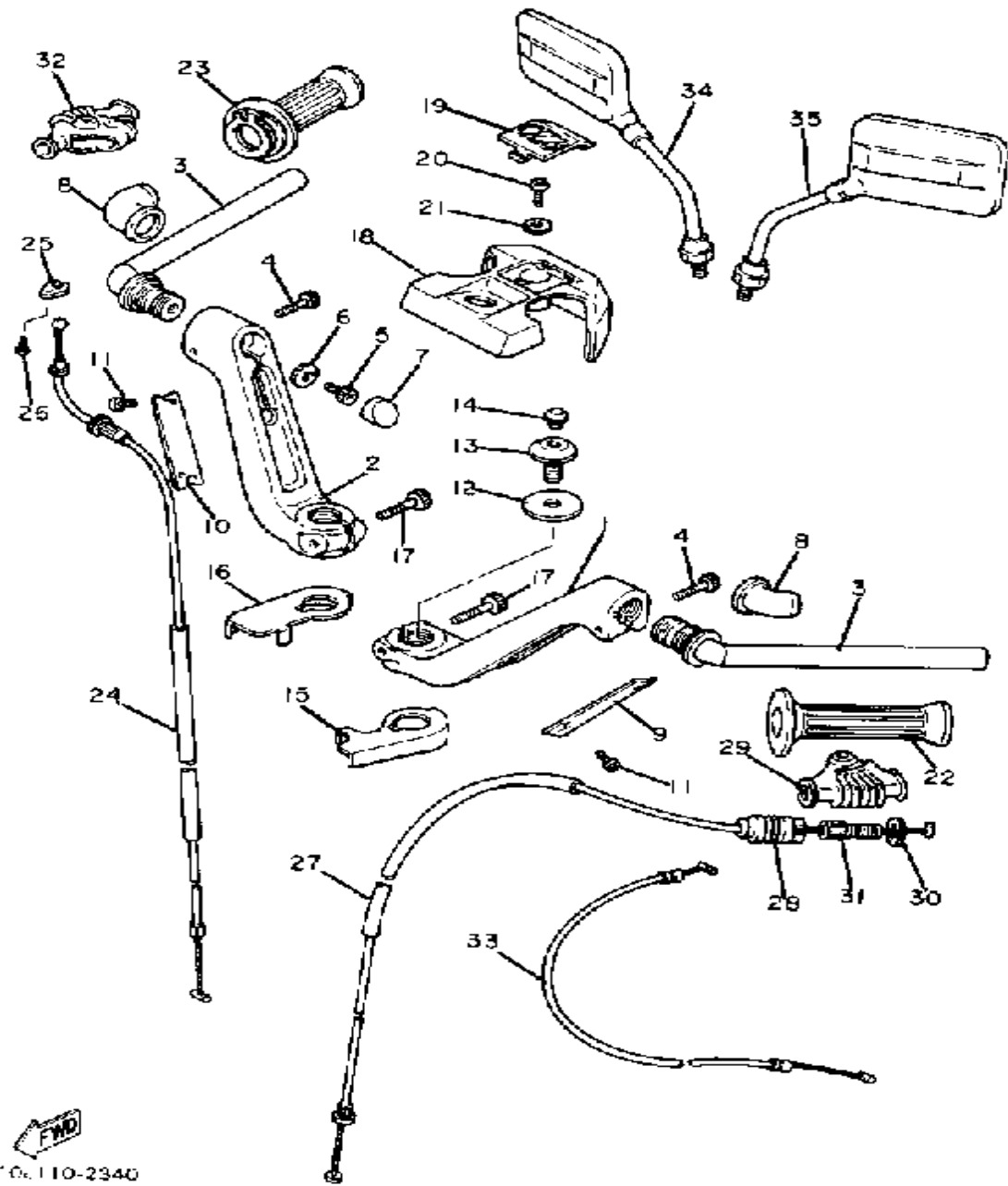
HANDLEBAR-CABLE



Ref. No.	Part Number	Description	Qty	Remarks
1	10L-26121-00-00	HANDLEBAR LH	1	
2	10L-26122-00-00	HANDLEBAR RH	1	
3	10M-26112-00-00	BAR, HANDLE	2	
4	90110-06050-00	BOLT, HEX SKT HEAD	2	
5	90110-06145-00	BOLT, HEX.SOCKET	2	
6	90201-067E6-00	WASHER, PLATE	2	
7	10L-26133-00-00	CAP	2	
8	10M-26147-00-00	BOOT, HANDLEBAR	2	
9	10L-26144-00-00	COVER, HDLBR LWR 1	1	
10	10L-26146-00-00	COVER, HDLBR LWR 2	1	
11	98506-05010-00	SCREW, PAN HEAD	4	
12	90201-080F2-00	WASHER, PLATE	2	
13	10L-26116-00-00	BOLT, HANDLEBAR 1	2	
14	10L-23469-00-00	CAP, BOLT	2	
15	10L-26143-00-00	COVER, HDLBR UPR 1	1	
16	(10L-26145-00-00)	COVER, HDLBR UPR 2	1	
17	91311-08040-00	BOLT, SOCKET HEAD	2	
18	10L-26213-00-00	COVER, UPPER	1	
19	10L-26216-00-00	CAP, HANDLEBAR CVR	1	
20	98506-06016-00	SCREW, PANHEAD	1	
21	90201-06057-00	WASHER, PLATE	1	
22	5G2-26241-10-00	GRIP LH	1	
23	5G2-26240-10-00	GRIP ASSEMBLY RH	1	
24	11U-26311-00-00	CABLE, THROTTLE 1	1	
25	5H0-26393-00-00	HOLDER	1	
26	98506-05008-00	SCREW, PAN HEAD	1	
27	23W-26335-10-00	CABLE, CLUTCH	1	
28	1E6-26342-00-00	BOOT, CABLE	1	
29	11H-26372-00-00	COVER, HANDLE LEVER	1	

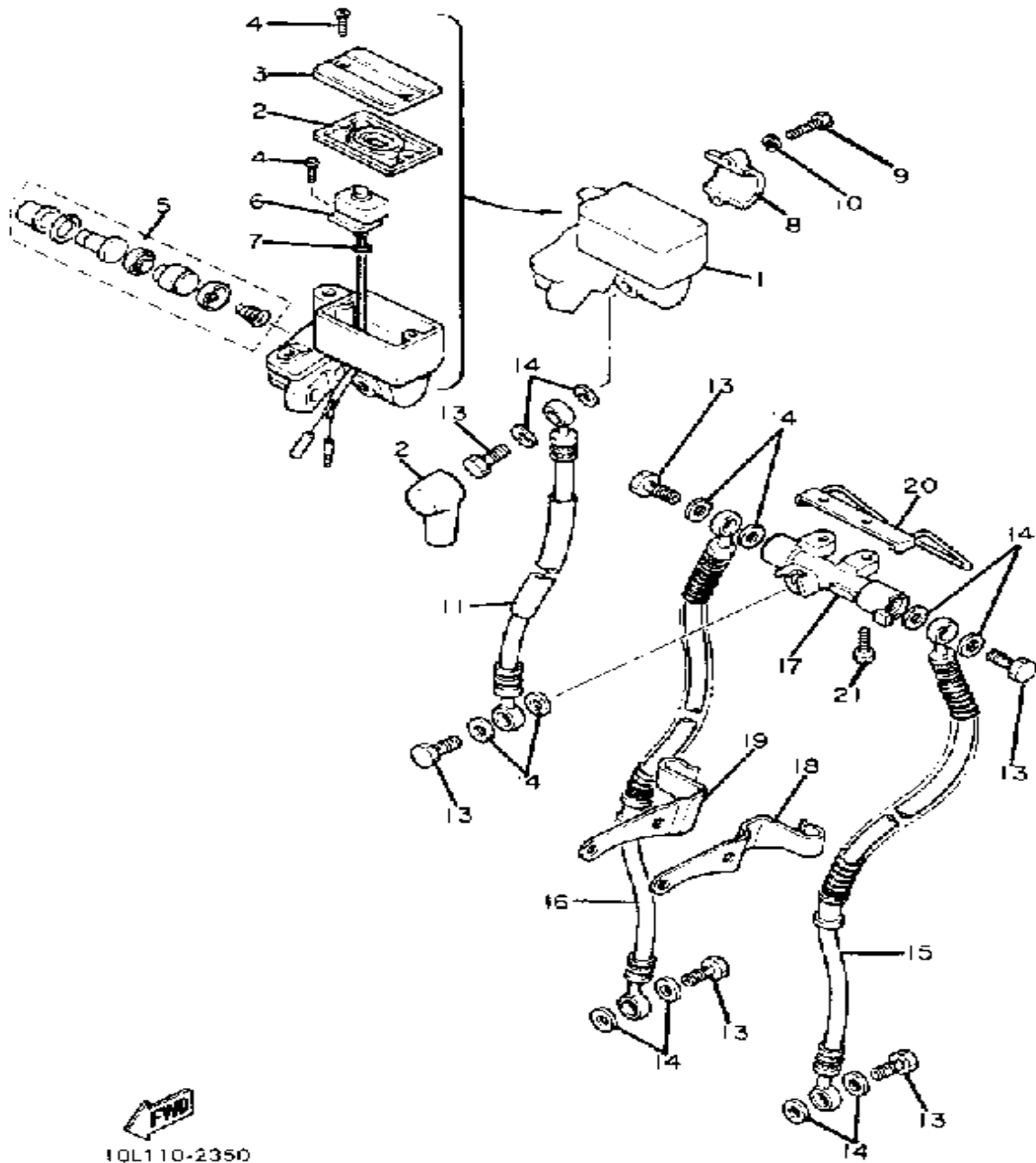
CONTINUED ON NEXT FRAME ➤

HANDLEBAR-CABLE



Ref. No.	Part Number	Description	Qty	Remarks
30	90179-08148-00	NUT	1	
31	90123-08046-00	BOLT	1	
32	1T5-26372-00-00	COVER, HANDLE LEVER	1	
33	23W-26331-00-00	CABLE, STARTER 1	1	
34	31A-26290-00-00	MIRROR ASSEMBLY (5G2-26290-00)	1	
35	31A-26290-10-00	MIRROR ASSEMBLY (5G2-26290-10)	1	

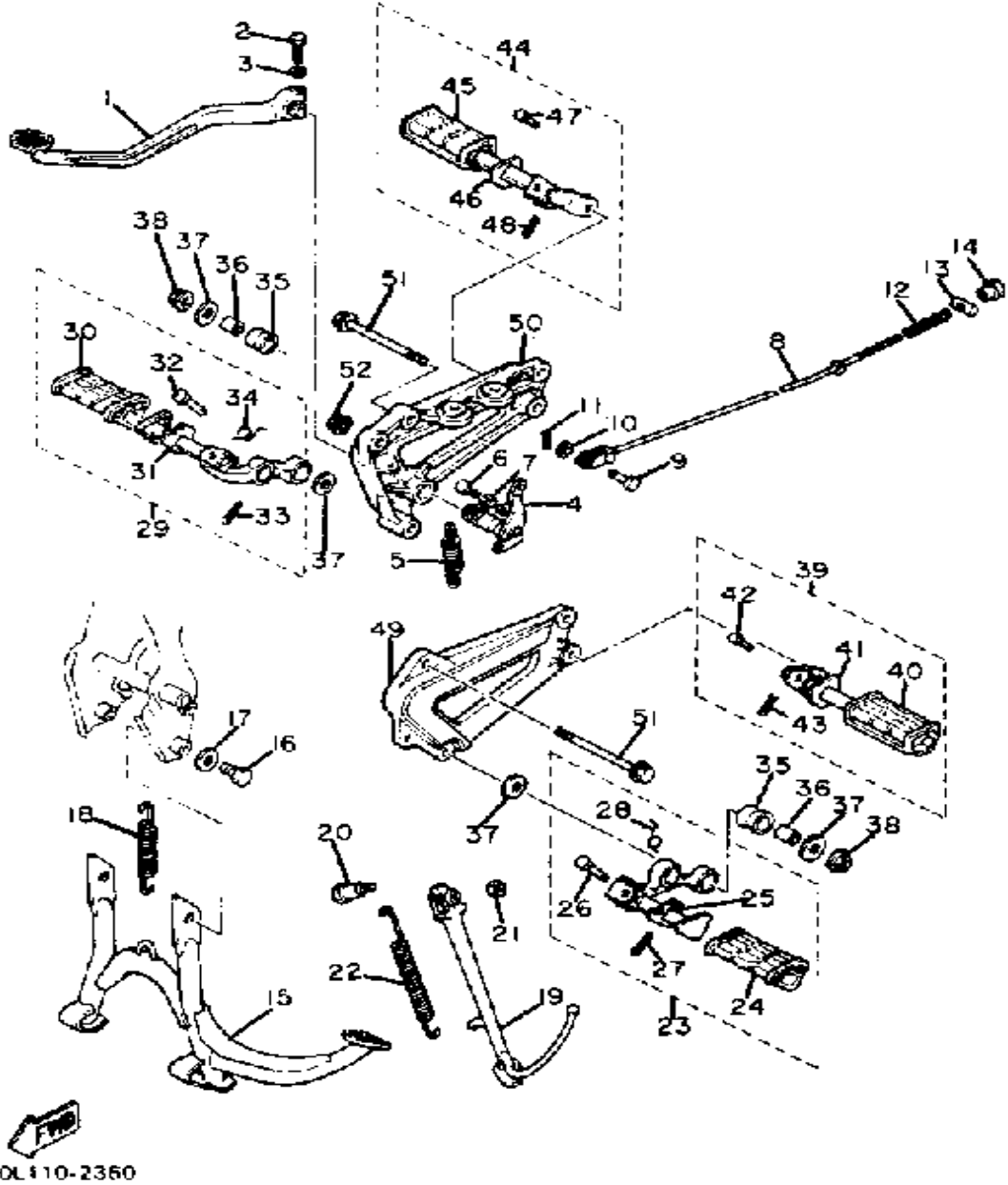
FRONT MASTER CYLINDER



Ref. No.	Part Number	Description	Qty	Remarks
1	10L-25850-00-00	MSTR CYLINDER ASSEMBLY	1	
2	4K0-25854-00-00	. DIAPHRAGM RESERVOIR	1	
3	3GM-25852-01-00	. CAP, RESERVOIR	1	
4	98706-04010-00	. SCREW, FLAT HEAD	3	
5	4K0-W0041-50-00	. CYLINDER KIT, MASTER	1	
6	10M-85702-00-00	. LEAD SWITCH ASSEMBLY (10L-85702-00)	1	
7	93210-08493-00	. O-RING	1	
8	4L0-25867-00-00	BRACKET, MASTER CYLINDER	1	
9	97016-06025-00	BOLT	2	
10	92906-06100-00	WASHER, SPRING	2	
11	10L-25872-01-00	HOSE, BRAKE 1	1	
12	306-25862-00-00	BOOT, MASTER CYLINDER	1	
13	90401-10034-00	BOLT, UNION	6	
14	90201-10118-00	WASHER, PLATE	12	
15	10L-25873-01-00	HOSE, BRAKE 2	1	
16	10L-25874-01-00	HOSE, BRAKE	1	
17	4K0-25885-00-00	JOINT	1	
18	10M-25875-00-00	HOLDER, BRKE HOSE 1	1	
19	10M-25876-00-00	HOLDER, BRKE HOSE 2	1	
20	(4K0-26399-01-00)	GUIDE, CABLE	1	
21	97016-06020-00	BOLT	2	

10L110-2350

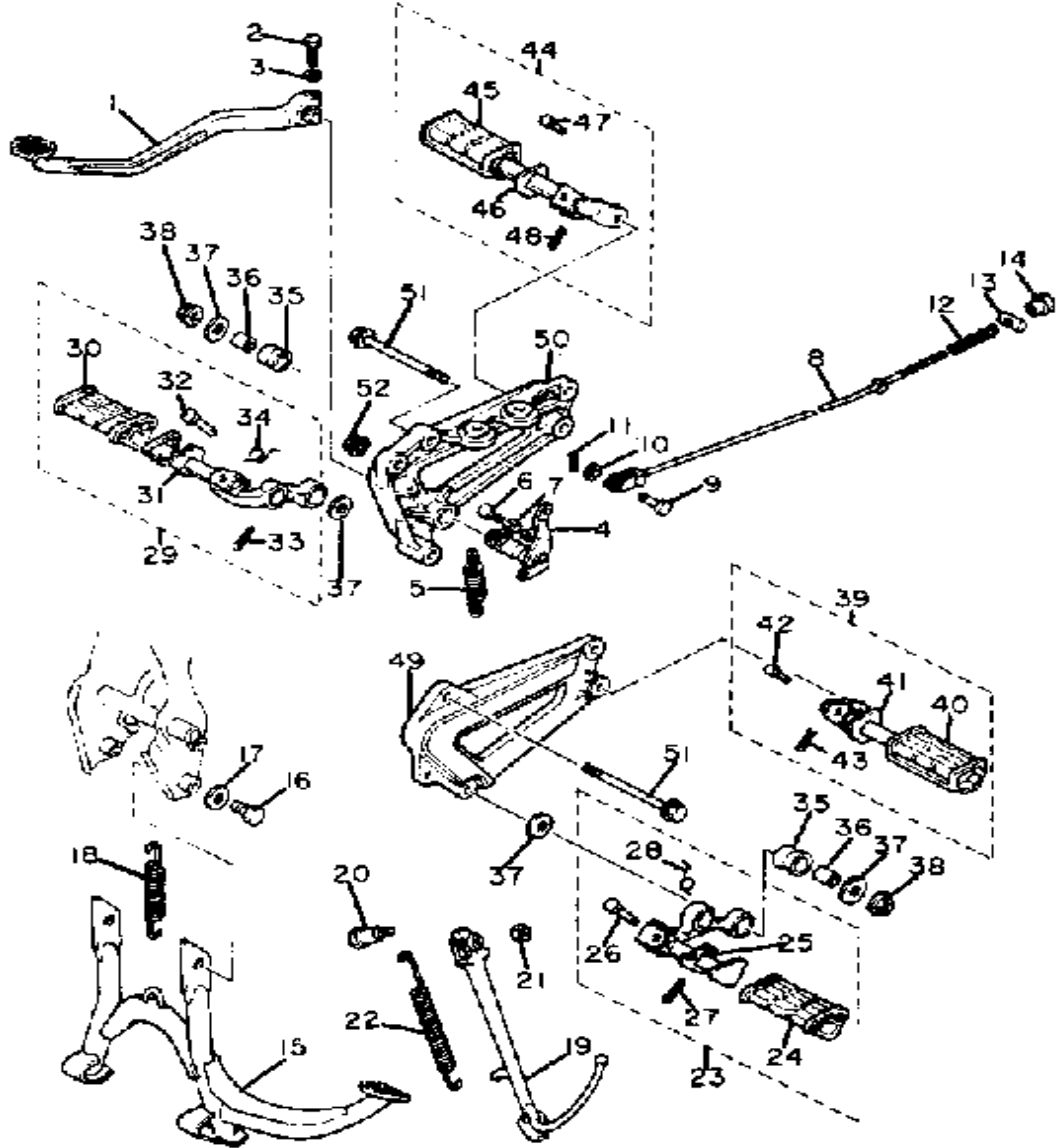
STAND-FOOTREST



Ref. No.	Part Number	Description	Qty	Remarks
1	4X7-27211-00-93	PEDAL, BRAKE	1	CHROME-PLATED
2	90109-06468-00	BOLT	1	
3	92995-06100-00	WASHER, SPRING	1	
4	4X7-27212-00-00	SHAFT, BRAKE PEDAL	1	
5	90506-26178-00	SPRING, TENSION	1	
6	90153-06018-00	SCREW, HEXAGON	1	
7	90170-06184-00	NUT, HEXAGON	1	
8	(10L-27231-00-00)	ROD, BRAKE	1	
9	90240-06103-00	PIN, CLEVIS	1	
10	92990-06200-00	WASHER	1	
11	91490-20020-00	PIN, COTTER	1	
12	90501-10245-00	SPRING, COMPRESSION	1	
13	90249-12008-00	PIN	1	
14	90179-06411-00	NUT	1	
15	4X7-27111-00-R4	STAND, MAIN	1	BLACK
16	97011-10016-00	BOLT, HEXAGON	2	
17	90201-10752-00	WASHER, PLATE	2	
18	90506-35149-00	SPRING, TENSION	1	
19	4X7-27311-00-R4	STAND, SIDE	1	BLACK
20	90109-103A1-00	BOLT	1	
21	95303-10700-00	NUT	1	
22	90507-29009-00	SPRING, TENSION	1	
23	4X7-27410-00-93	FRT FOOTREST ASSEMBLY L	1	CHROME-PLATED
24	4X7-27413-00-00	. COVER, FOOTREST	1	
25	4X7-27417-00-00	. WASHER, FOOTREST	1	
26	91701-08038-00	. PIN, CLEVIS	1	
27	91401-25020-00	. PIN, COTTER	1	
28	90508-20023-00	. SPRING, TORSION	1	
29	4X7-27420-00-93	FRT FOOTREST ASSEMBLY R	1	CHROME-PLATED

CONTINUED ON NEXT FRAME ➤

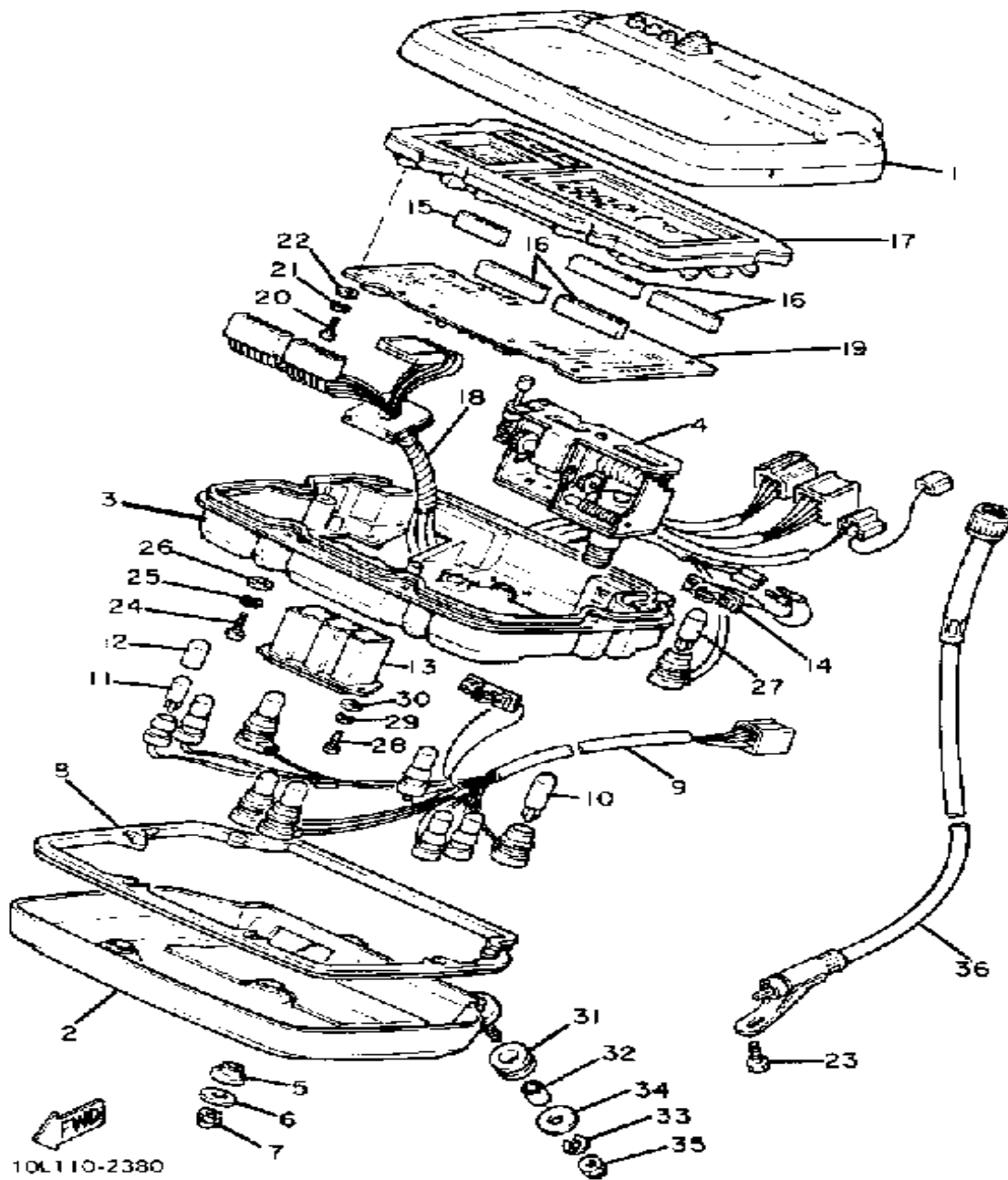
STAND-FOOTREST



10L410-2360

Ref. No.	Part Number	Description	Qty	Remarks
30	4X7-27413-00-00	. COVER, FOOTREST	1	
31	4X7-27417-00-00	. WASHER, FOOTREST	1	
32	90240-08063-00	. PIN, CLEVIS	1	
33	91401-30020-00	. PIN, COTTER	1	
34	90508-20155-00	. SPRING, TORSION	1	
35	4X7-27414-00-00	DAMPER, FOOTREST	4	
36	90387-107A7-00	COLLAR	4	
37	90201-105A2-00	WASHER, PLATE	8	
38	90179-10247-00	NUT	4	
39	4X7-27430-00-00	RR FOOTREST ASSEMBLY 1	1	
40	3H5-27433-00-00	. COVER, RR FOOTREST	1	
41	90209-18190-00	. WASHER, SPEC'L SHAP	1	
42	91701-06035-00	. PIN, CLEVIS	1	
43	91490-16020-00	. PIN, COTTER	1	
44	4X7-27440-00-00	RR FOOTREST ASSEMBLY 2	1	
45	3H5-27444-00-00	. COVER, RR FOOTREST	1	
46	90209-18190-00	. WASHER, SPEC'L SHAP	1	
47	91701-06035-00	. PIN, CLEVIS	1	
48	91490-16020-00	. PIN, COTTER	1	
49	10L-27442-00-00	BRACKET 2	1	
50	10L-27443-00-00	BRACKET 3	1	
51	90105-10184-00	BOLT, WASHER BASED	2	
52	90179-10247-00	NUT	1	

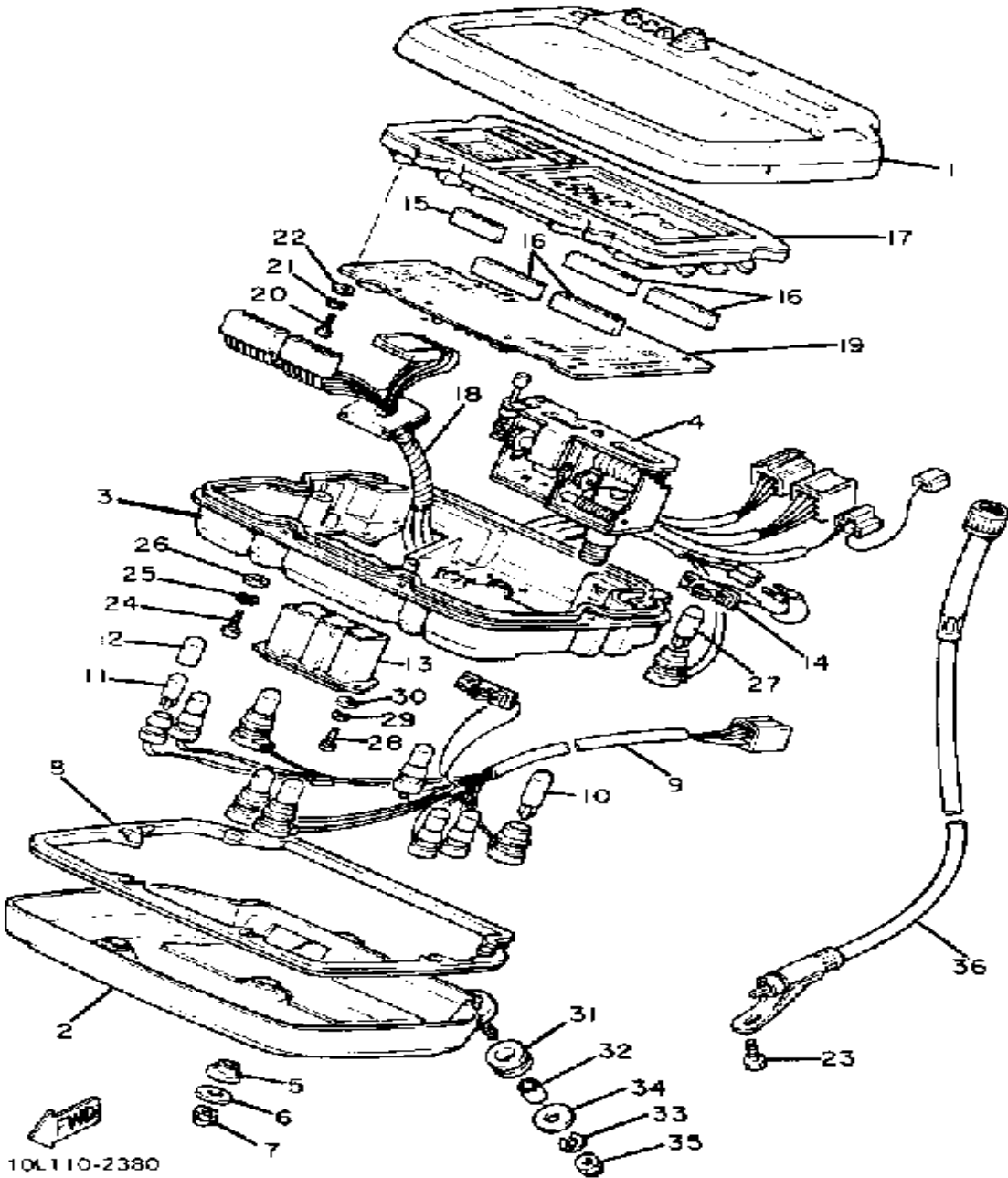
METER



Ref. No.	Part Number	Description	Qty	Remarks
1	10L-W8354-00-00	METER COVER ASSEMBLY	1	
2	10L-8355A-00-00	BRACKET METER	1	
3	10L-8353H-00-00	CASE, INNER	1	
4	10L-8355R-A0-00	COUNTER ASSEMBLY	1	
5	10L-83523-00-00	DAMPER	3	
6	90201-05660-00	WASHER, PLATE	3	
7	95306-05800-00	NUT (CROWN)	3	
8	10L-83513-00-00	DAMPER	1	
9	(10L-83553-00-00)	WIRE, LEAD	1	
10	4G1-84744-00-00	BULB, MTR.12V3.4W	4	
11	10L-83517-00-00	BULB	5	
12	10L-83535-00-00	TUBE	5	
13	10L-8356X-00-00	BOX PILOT	1	
14	10L-83556-00-00	SENDER	1	
15	(10L-8358T-00-00)	CONNECTOR LCD 1	1	
16	10L-8357V-00-00	CONNECTOR LCD 2	4	
17	10L-W8351-00-00	LCD UNIT SET	1	
18	(10L-8358Y-00-00)	WIRE HARNESS	1	
19	10L-8359J-A0-00	PRINT BOARD ASSEMBLY	1	
20	98501-03016-00	SCREW, PAN HEAD	10	
21	92990-03100-00	WASHER, SPRING (92901-03100)	10	
22	92902-03600-00	WASHER	10	
23	90153-06004-00	SCREW, HEXAGON	1	
24	98580-04010-00	SCREW, PAN HEAD	10	
25	92901-04100-00	WASHER, SPRING	10	
26	92901-04600-00	WASHER, PLATE	10	
27	4G1-84744-00-00	BULB, MTR.12V3.4W	1	
28	(98502-03012-00)	SCREW, PAN HEAD	2	

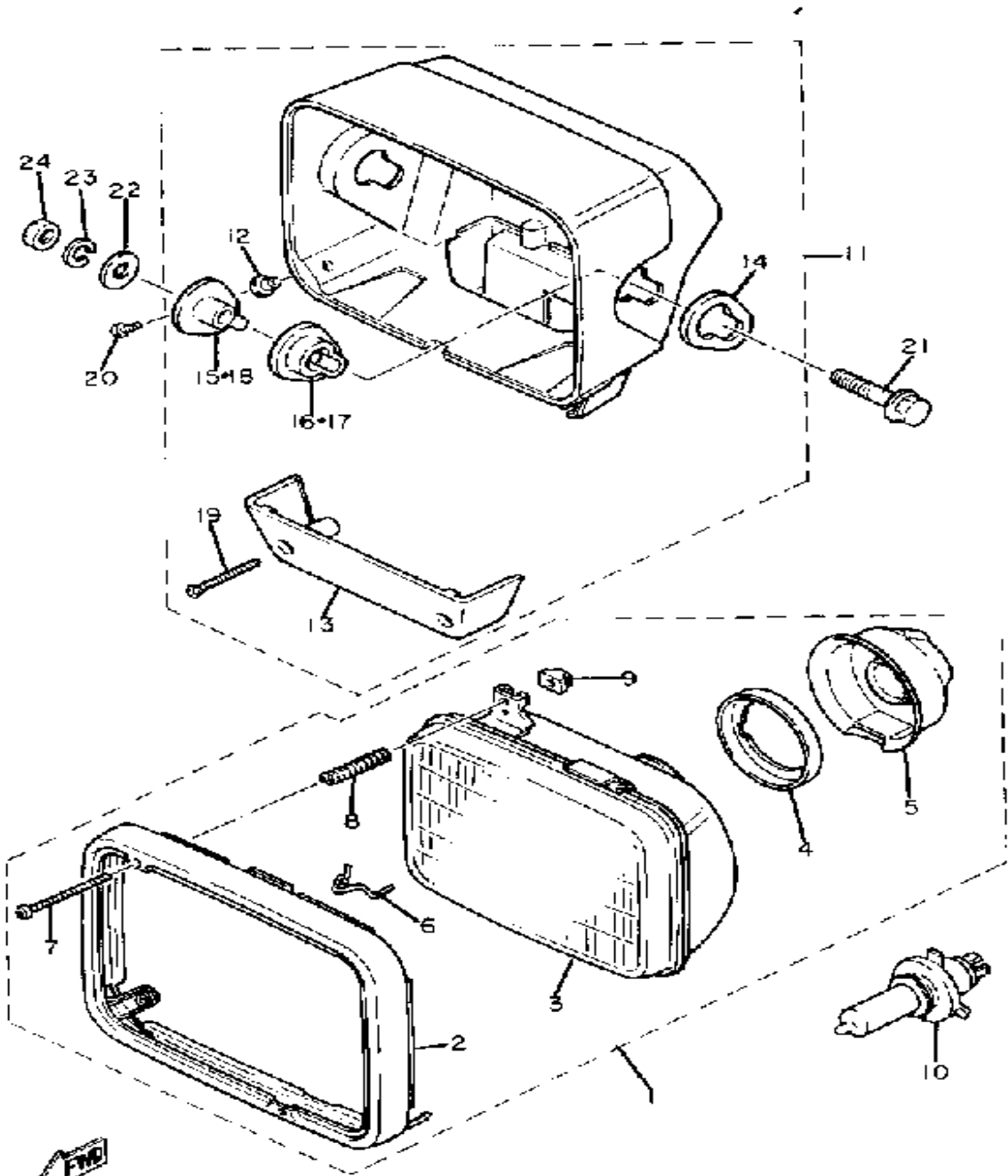
CONTINUED ON NEXT FRAME ►

METER



Ref. No.	Part Number	Description	Qty	Remarks
29	92990-03100-00	WASHER, SPRING (92901-03100)	2	
30	92902-03600-00	WASHER	2	
31	90480-14335-00	GROMMET	2	
32	90560-07007-00	SPACER	2	
33	92906-06100-00	WASHER, SPRING	2	
34	90201-06067-00	WASHER, PLATE	2	
35	95316-06600-00	NUT	2	
36	20X-83550-00-00	SPEEDOMETER CABLE	1	

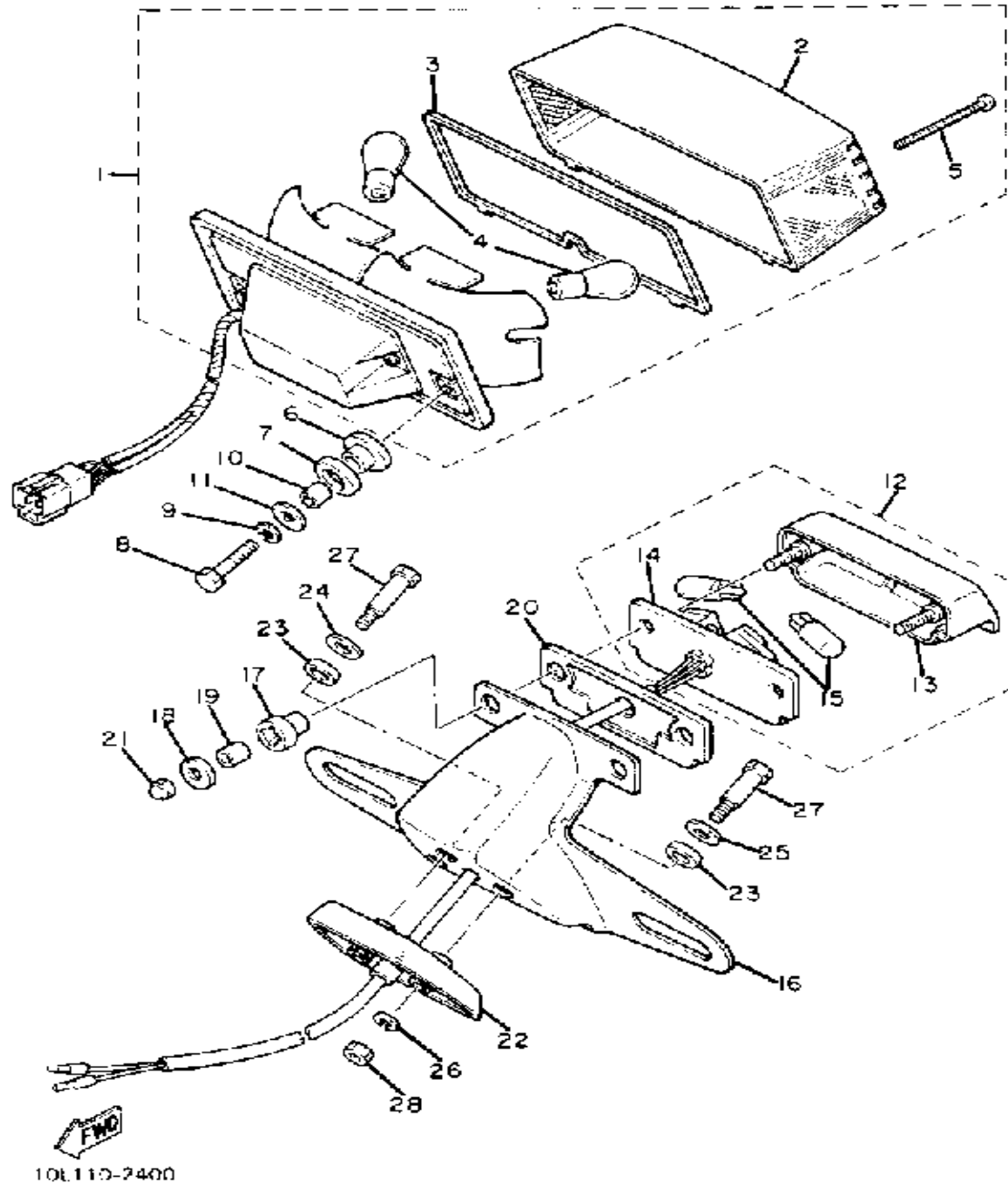
HEADLIGHT



10L110-2390

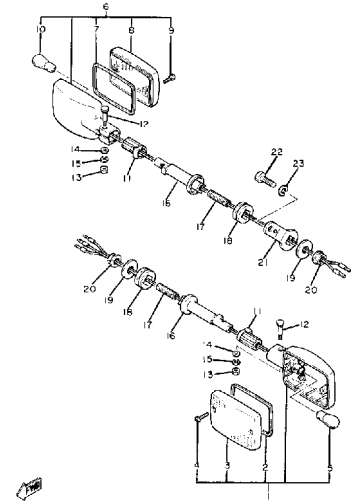
Ref. No.	Part Number	Description	Qty	Remarks
1	10L-84303-A0-00	HEADLIGHT UNIT ASSEMBLY	1	
2	11H-84315-00-00	. RIM, HEADLIGHT	1	
3	11H-84321-60-00	. LENS, HEADLIGHT	1	
4	2F9-84375-00-00	. SETTING PLATE, BULB	1	
5	2F9-84397-01-00	. COVER, SOCKET	1	
6	5G2-84324-A0-00	. SPRING, REFLECTOR (5G2-84324-00)	1	
7	98580-04055-00	. SCREW, LENS FITTING	2	
8	341-84332-60-00	. SPRING, SCREW	2	
9	198-84334-60-00	. NUT, ADJUSTING	2	
10	5V2-84314-00-XX	BULB, HL 12V60/55W (2F9-84314-00)	1	
11	10L-84330-00-00	BODY ASSEMBLY	1	
12	5G2-84333-00-00	. COLLAR, SCREW	2	
13	10L-84369-00-00	. COVER 1	1	
14	5G2-84368-00-00	. DAMPER 3	2	
15	5G2-84388-00-00	. COLLAR 1	1	
16	5G2-84367-00-00	. DAMPER, HEADLIGHT 2	1	
17	5G2-84366-00-00	. DAMPER, HEADLIGHT 1	1	
18	5G2-84398-00-00	. SCREW, MNTNG RING	1	
19	97706-50740-00	. SCREW, TAPPING	2	
20	98516-05012-00	SCREW, PAN HEAD 4CG	2	
21	90105-08172-00	BOLT, WASHER BASED	2	
22	90201-085E6-00	WASHER PLATE	2	
23	92990-08100-00	WASHER	2	
24	95333-08600-00	NUT	2	

TAILLIGHT



Ref. No.	Part Number	Description	Qty	Remarks
1	10L-84710-60-00	TAILLIGHT UNIT ASSEMBLY ..	1	
2	10L-84721-60-00	. LENS, TAILLIGHT	1	
3	10L-84723-00-00	. GASKET, TAIL LENS	1	
4	256-84714-61-00	. BULB (12V-27/8W)	2	
5	90157-04001-00	. SCREW, PAN HEAD	2	
6	(10L-84736-01-00)	DAMPER, TAIL	2	
7	(10L-84737-00-00)	DAMPER TAIL 2	2	
8	97006-06035-00	BOLT, HEXAGON	2	
9	92906-06100-00	WASHER, SPRING	2	
10	90387-061G0-00	COLLAR	2	
11	90201-065G8-00	WASHER, PLATE	2	
12	1UF-84745-A0-00	LICENSE LITE ASSEMBLY ...	1	
13	3F9-84749-00-00	. BODY, LICENCE LIGHT	1	
14	3F9-84741-00-00	. BASE, LICENSE LIGHT	1	
15	3F9-84744-00-XX	. BULB, METER 12V3.8W	2	
16	3G1-84751-00-93	BRACKET, LICENSE	1	CHROME-PLATED
17	3F9-84553-00-00	DAMPER	2	
18	3F9-84754-00-00	WASHER, SPECIAL	2	
19	3F9-84757-00-00	COLLAR, LCNSE BRKT	2	
20	3F9-84742-00-00	SEAT, BASE	1	
21	95303-05800-00	NUT (CROWN)	2	
22	10L-84753-00-00	DAMPER	1	
23	3G1-84753-00-00	DAMPER	3	
24	92990-08200-00	WASHER, PLAIN	1	
25	90201-08638-00	WASHER, PLATE	2	
26	92995-06100-00	WASHER, SPRING	3	
27	90109-06655-00	BOLT	3	
28	95380-06600-00	NUT	3	

TURNSIGNAL

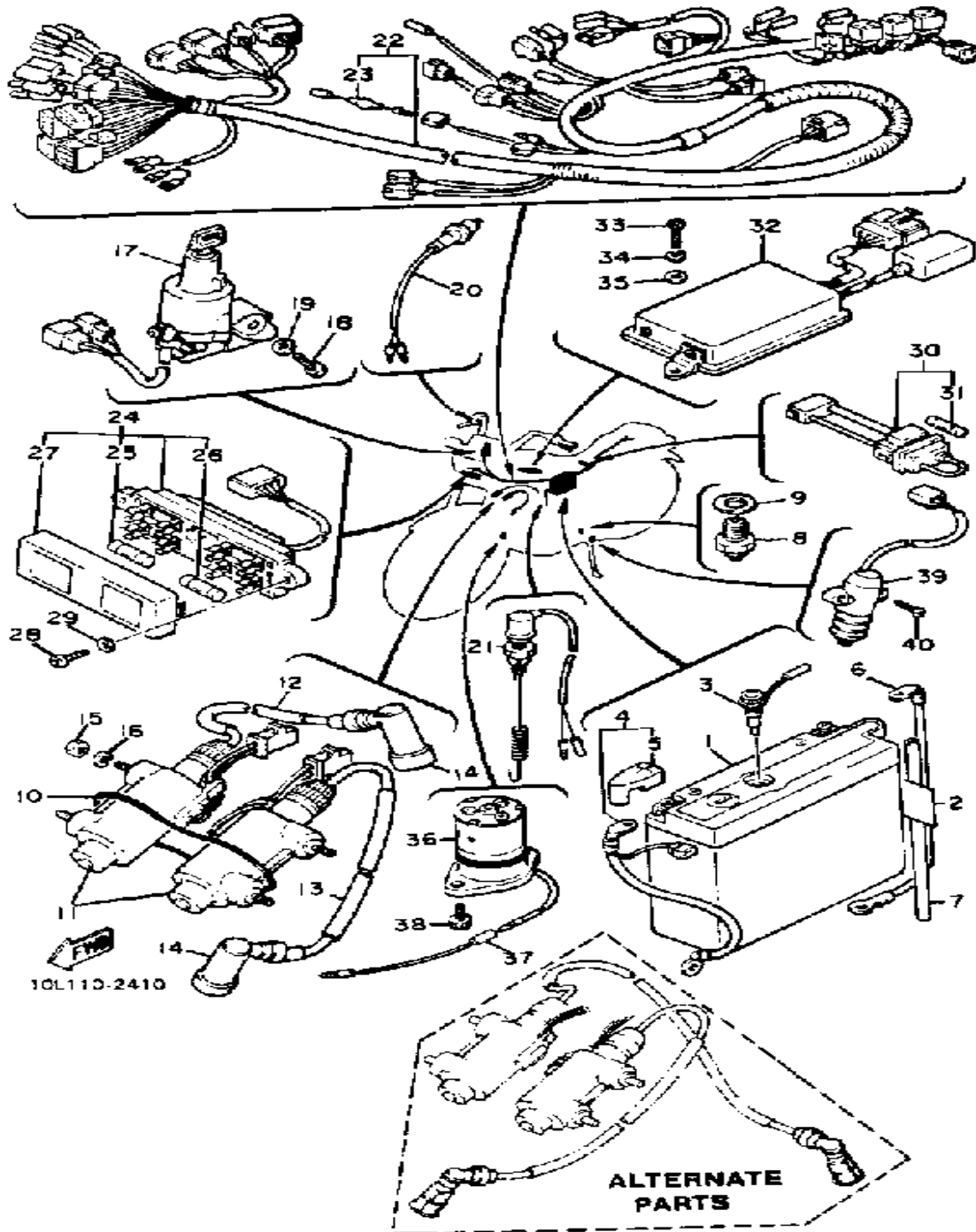


10L110 2373

LIGHTING SYSTEM	
Headlight / Tail light / Signal Rating	12V60-55W / 12V27-8W / 12V27W

Ref. No.	Part Number	Description	Qty	Remarks
1	10L-83310-70-00	FRT FLSHR LITE ASSEMBLY	2	
2	4G0-83313-00-00	. GASKET, FLSHR LENS	1	
3	4G0-83312-00-00	. LENS, FLASHER	1	
4	97701-40518-00	. SCREW, TAPPING	2	
5	256-84714-61-00	. BULB (12V-27/8W)	1	
6	15R-83310-70-00	FRT FLSHR LITE ASSEMBLY (10L-83330-70)	2	
7	4G0-83313-00-00	. GASKET, FLSHR LENS	1	
8	4G0-83312-00-00	. LENS, FLASHER	1	
9	97701-40510-00	. SCREW, TAPPING	2	
10	256-83311-70-XX	. BULB, TS 12V27W	1	
11	10L-83321-00-00	DAMPER, FLASHER 1	4	
12	4G0-83317-00-00	BOLT, FLASHER 1	4	
13	95311-05700-00	NUT	4	
14	92901-05600-00	WASHER, PLATE	4	
15	92990-05100-00	WASHER, SPRING	4	
16	10L-83318-00-00	STAY, FLASHER 1	4	
17	4X7-83325-00-00	BLT, FLSHR STY FTNG	4	
18	341-83321-01-00	DAMPER, FLASHER 1	4	
19	90201-127A1-00	WASHER, PLATE	4	
20	95706-12500-00	NUT, FLANGE	4	
21	10L-83328-00-00	STAY, FLASHER 2	2	
22	97016-08016-00	BOLT	2	
23	92906-08100-00	WASHER, SPRING	2	

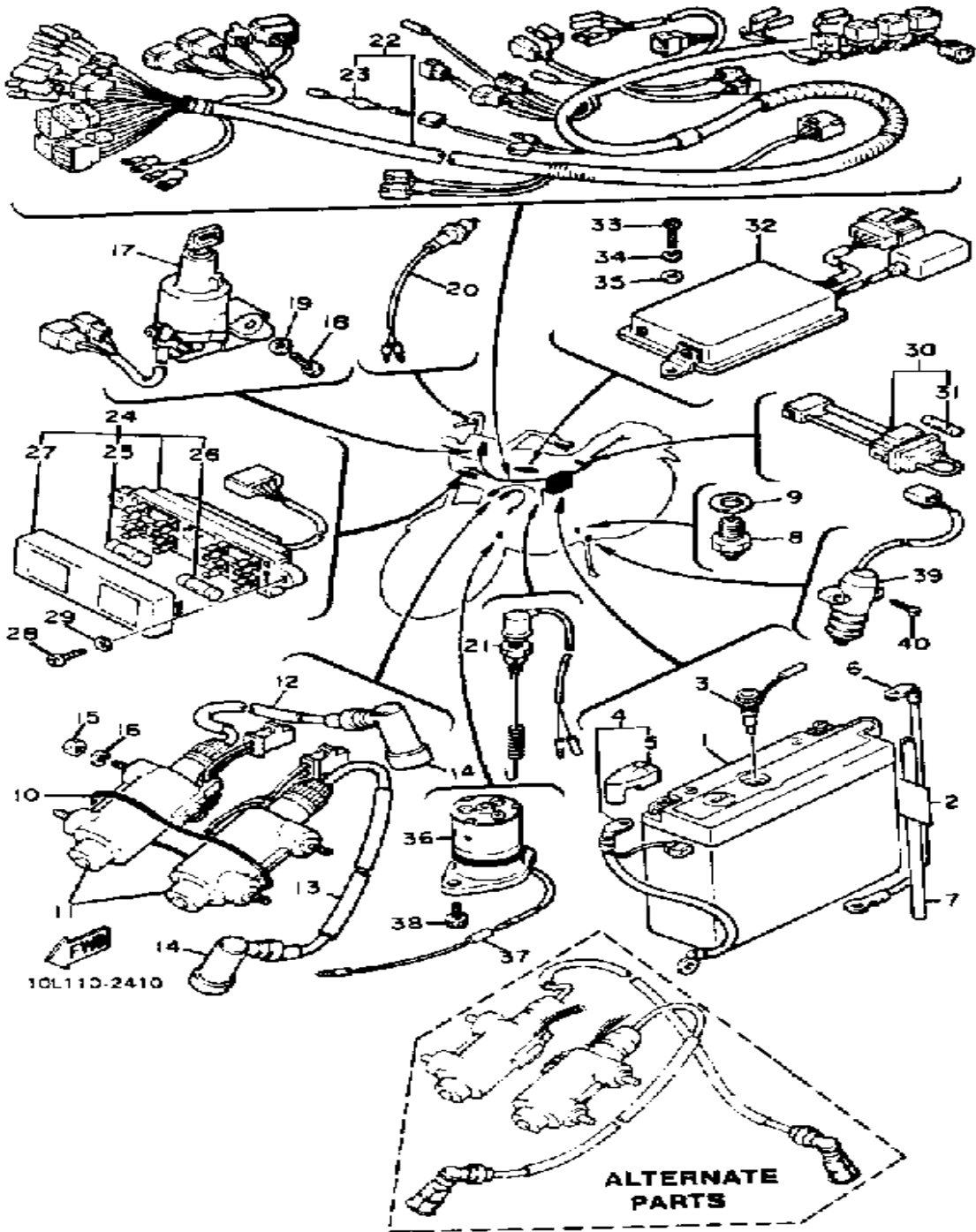
ELECTRICAL 1



Ref. No.	Part Number	Description	Qty	Remarks
1	BTG-GM18Z-3A-S0	GS GM18Z-3AS	1	
2	118-82141-09-00	LABEL, BATTERY	1	
3	5G2-82120-00-00	SENDER, BATTERY	1	
4	4X7-82115-00-00	WIRE, PLUS LEAD	1	
5	4X7-82119-00-00	. COVER, LEAD WIRE	1	
6	4X7-82116-01-00	WIRE, MINUS LEAD	1	
7	90445-08044-00	HOSE	1	
8	2H7-82540-00-00	NEUTRAL SWITCH ASSEMBLY	1	
9	90430-10171-00	GASKET	1	
10	93210-64297-00	O-RING	1	
11	4X7-82310-70-00	IGNITION COIL ASSEMBLY ...	2	
12	4X7-82341-00-00	CORD, HIGH TENS 1 (4X7-82342-00)	1	
13	4X7-82341-00-00	CORD, HIGH TENS 1 (4X7-82342-00)	1	
14	1J7-82370-00-00	PLUG CAP ASSEMBLY	2	
	1J7-82370-10-00	PLUG CAP ASSEMBLY	2	WITH NOISE SUPPRESSER
15	95380-06600-00	NUT	4	
16	92995-06100-00	WASHER, SPRING	4	
17	10L-82508-50-00	MAIN SWITCH ASSEMBLY ...	1	
18	97313-06016-00	BOLT, HEXAGON	2	
19	92901-06600-00	WASHER	2	
20	1A0-83980-30-00	STOP SWITCH ASSEMBLY ...	1	
21	4X7-82530-02-00	STOP SWITCH ASSEMBLY ...	1	
22	10L-82590-50-00	WIRE HARNESS ASSEMBLY ..	1	
23	3H5-81980-00-00	. DIODE ASSEMBLY	1	
24	(10L-82170-00-00)	FUSE BOX ASSEMBLY	1	
25	116-82151-00-00	. FUSE (10A)	3	
26	4X7-82151-00-00	. FUSE	3	

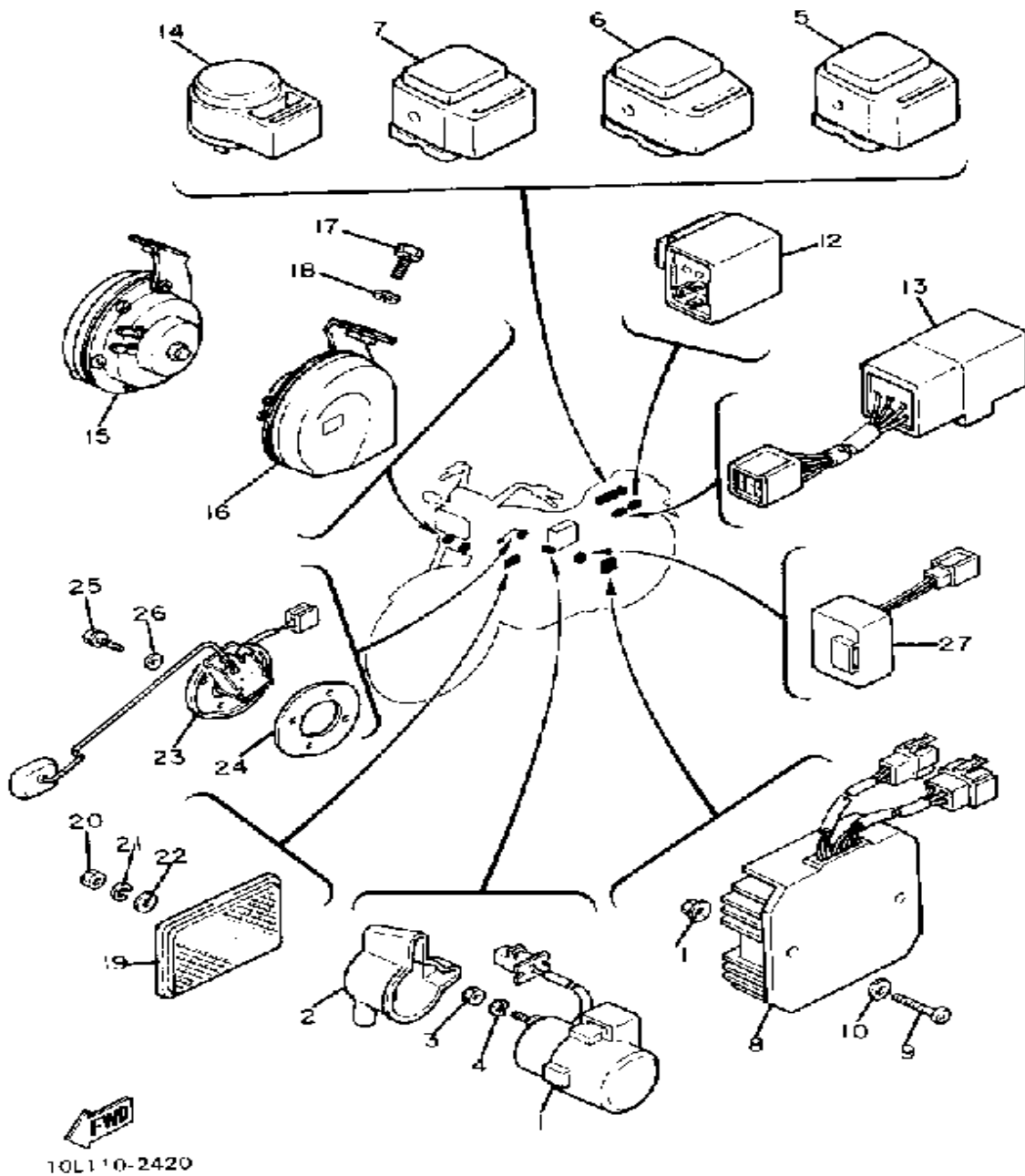
CONTINUED ON NEXT FRAME ►

ELECTRICAL 1



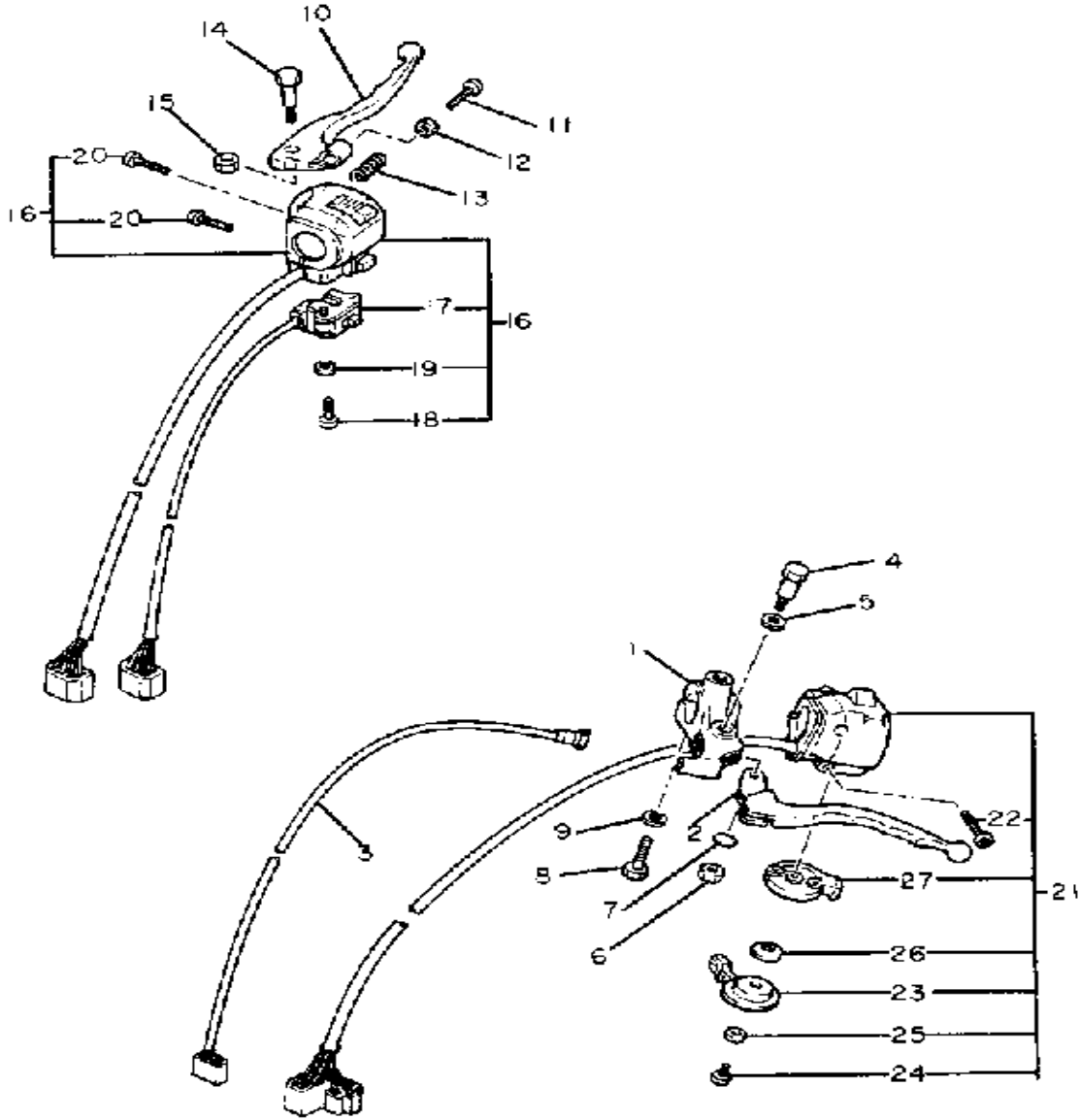
Ref. No.	Part Number	Description	Qty	Remarks
27	(10L-82172-00-00)	COVER, FUSE BOX	1	
28	90149-059U1-00	SCREW, PANHEAD (97701-50516)	2	
29	92990-05200-00	WASHER, PLAIN	2	
30	3H5-82150-00-00	FUSE HOLDER ASSEMBLY ...	1	
31	2H7-82151-00-00	. FUSE	2	
32	4X7-82305-21-00	IGNITOR UNIT ASSEMBLY 1 (4X7-82305-20)	1	
33	98580-06012-00	SCREW, PAN HEAD	2	
34	92995-06100-00	WASHER, SPRING	2	
35	92901-06600-00	WASHER	2	
36	1NL-85720-00-00	OIL LVL GAUGE ASSEMBLY ..	1	
37	4X7-85721-00-00	WIRE, LEAD	1	
38	91311-06016-00	BOLT, SOCKET HEAD	2	
39	10L-82566-00-00	SWITCH, SIDE STAND	1	
40	98706-05016-00	SCREW, FLAT HEAD	2	

ELECTRICAL 2



Ref. No.	Part Number	Description	Qty	Remarks
1	4X7-81940-10-00	STARTER SWITCH ASSEMBLY	1	
2	5H1-82119-00-00	COVER, LEAD WIRE	2	
3	95380-06700-00	NUT	2	
4	92995-06100-00	WASHER, SPRING	2	
5	4U8-81950-02-00	RELAY ASSEMBLY. (4U8-81950-00)	1	
6	4U8-81950-02-00	RELAY ASSEMBLY. (4U8-81950-00)	1	
7	12R-81950-01-00	RELAY ASSEMBLY.RELAY (4H7-81950-01)	1	
8	4X7-81960-A0-00	RECTIFIER/REG ASSEMBLY	1	
9	98580-06035-00	SCREW, PAN HEAD	2	
10	90201-06067-00	WASHER, PLATE	2	
11	95701-06500-00	NUT, FLANGE	2	
12	4E6-83350-70-00	FLASHER RELAY ASSEMBLY	1	
13	1A0-83395-03-00	FLASHER CANCL UNIT	1	
14	(10L-83360-00-00)	HZRD FLSHR RLY ASSEMBLY	1	
15	10L-83371-20-00	HORN	1	HIGH-TONE
16	10L-83371-30-00	HORN	1	LOW-TONE
17	97016-08016-00	BOLT	2	
18	92906-08100-00	WASHER, SPRING	2	
19	4X7-85110-00-00	FRT REFLECTOR ASSEMBLY	2	
20	95311-05700-00	NUT	2	
21	92990-05100-00	WASHER, SPRING	2	
22	92990-05200-00	WASHER, PLAIN	2	
23	10L-85752-00-00	SNDR UT ASSEMBLY, F/MTR	1	
24	2H7-85753-00-00	GASKET, SENDER UNIT	1	
25	95821-06014-00	BOLT, FLANGE	4	
26	90202-05187-00	WASHER, PLATE	4	
27	10L-85590-00-00	CONTROL UNIT ASSEMBLY	1	

HANDLE SWITCH-LEVER



Ref. No.	Part Number	Description	Qty	Remarks
1	10M-82911-00-00	HOLDER, LEVER 1	1	
2	10W-83912-00-00	LEVER L	1	
3	3Y6-82917-00-00	SWITCH	1	
4	90109-06797-00	BOLT	1	
5	90201-082A9-00	WASHER, PLATE	1	
6	95616-06100-00	NUT, U	1	
7	93210-11368-00	O-RING	1	
8	97006-06022-00	BOLT	1	
9	92906-06100-00	WASHER, SPRING	1	
10	4L0-83922-00-00	LEVER RH	1	
11	90149-06131-00	SCREW	1	
12	90170-06010-00	NUT	1	
13	90501-10510-00	SPRING, COMPRESSION	1	
14	90109-06465-00	BOLT	1	
15	95601-06100-00	NUT, U	1	
16	10M-83963-00-00	SWITCH, HANDLE 3	1	
17	10M-83362-00-00	. HAZARD FLSHR SWCH	1	
18	98501-03016-00	. SCREW, PAN HEAD	2	
19	92990-03100-00	. WASHER, SPRING (92901-03100)	2	
20	98506-05020-00	. SCREW, PAN HEAD	2	
21	11H-83973-00-00	SWITCH, HANDLE 3	1	
22	98506-05020-00	. SCREW, PAN HEAD	2	
23	10M-83941-00-00	. LEVER, STARTER	1	
24	98580-06008-00	. SCREW, PAN HEAD	1	
25	92901-06600-00	. WASHER	1	
26	90209-10131-00	. WASHER	1	
27	10M-83942-00-00	. COVER, STARTER	1	

FWD
1QL110 2430

TOP END GASKET KIT

Ref. No.	Part Number	Description	Qty	Remarks
27	(5H1-W0001-00-XX)	GASKT KIT TE XV9 0		
	341-12119-02-00	. SEAL, VALVE STEM	4	
	3EG-11351-00-00	. GASKET, CYLINDER	2	
	3EG-14613-00-00	. GASKET, EXHAUST PIPE ...	2	
	4DW-12213-00-00	. GASKET, TENSIONER CASE .	4	
	4X7-11355-00-00	. SEAL, CYLINDER 1	2	
	5H1-11181-00-00	. GASKET, CYLINDER HEAD 1	2	
	90430-15169-00	. GASKET	3	
	90430-17168-00	. GASKET	6	
	93210-07438-00	. O-RING	2	
	93210-44545-00	. O-RING	2	
	93210-62446-00	. O-RING	2	
	93210-92448-00	. O-RING	2	
	93210-97524-00	. O-RING	2	